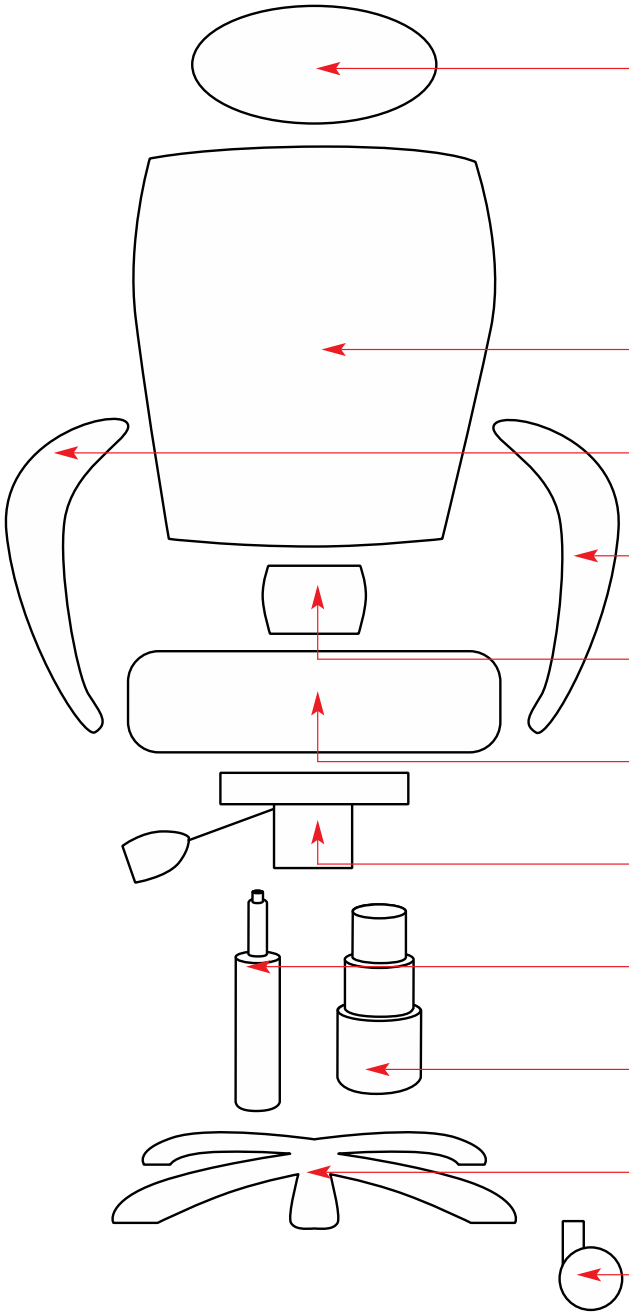


PRODUCT	VINTAGE EXECUTIVE	6975
---------	-------------------	------



HEADREST N/A

BACKREST Z6975B

ARM *RH when seated* Z6975ARM-R

ARM *LH when seated* Z6975ARM-L

BACK BRACKET/MECH

SEAT Z6975S

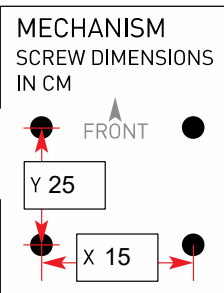
MECHANISM Z6975M

GAS LIFT Z23

TELESCOPE Z35

FIVE STAR BASE Z6975BASE

CASTORS Z03



FIXINGS 4x 1/4*7/8", 8 x 1/4*1-1/4"

UNIQUE PARTS

NOTES