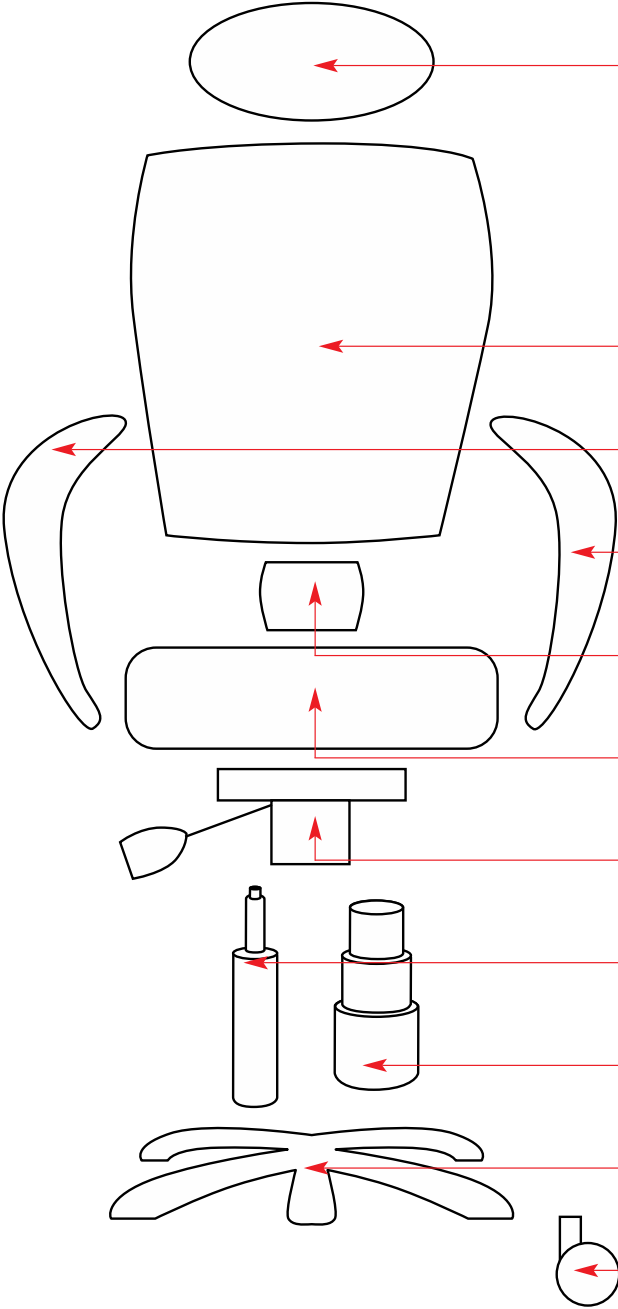


PRODUCT	ERGO PLUS HR	9700
---------	--------------	------



HEADREST	ATTACHED TO THE BACKREST	
BACKREST	Z993HR	
ARM <i>RH when seated</i>	OPTIONAL	
ARM <i>LH when seated</i>	OPTIONAL	
BACK BRACKET/MECH	N/A	
SEAT	Z993	MECHANISM SCREW DIMENSIONS IN CM
MECHANISM	ATTACHED	
GAS LIFT	Z10 (BASE PLUS), Z121 (BASE ULTRA), Z188 (BASE PREMIER)	
TELESCOPE	Z35 (N/A FOR PREMIER&ULTRA)	
FIVE STAR BASE	R510 (BASE PLUS), R520 (BASE ULTRA), R530 (BASE PREMIER)	
CASTORS	Z03	

FIXINGS

UNIQUE PARTS

NOTES
