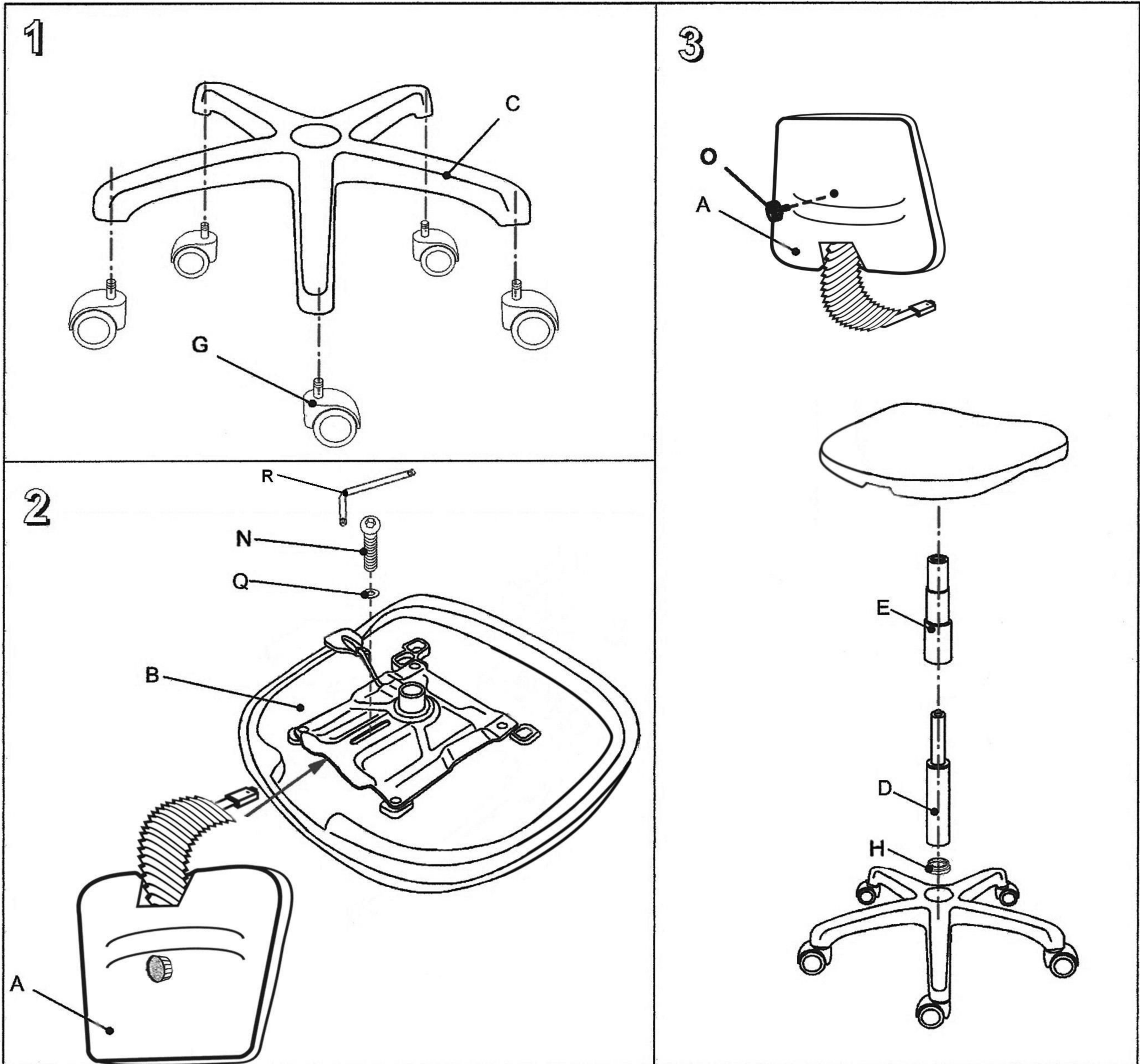


SALES & SERVICE  
 PHONE: 01234 328804  
 FAX: 01234 342446  
 E-MAIL: customerservice@teknikoffice.co.uk



# BLASTER MEDIUM

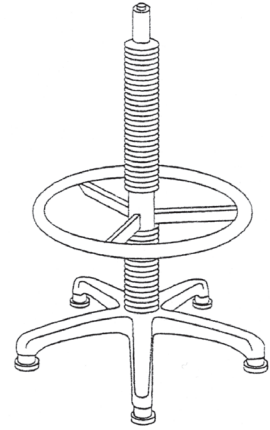


A	B	C	D	E	
x1	x1	x1	x1	x1	
G	H	N	O	Q	R
x5	x1	x2	x1	x1	x1

This part is attached to the bottom of 'E'

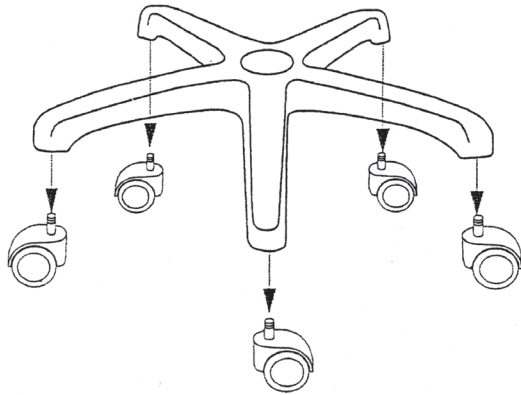
To ensure chair is 'tamper resistant' use the second 'N' bolt in place of the 'O' hand wheel

Please do not throw away the packaging until you are completely satisfied with the chair.  
 All returns must be made in original packaging.



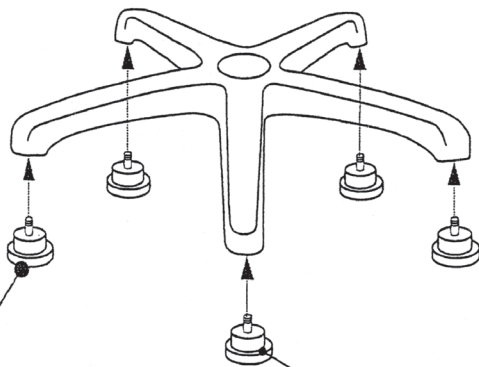
## TEKNIK RING KIT

1



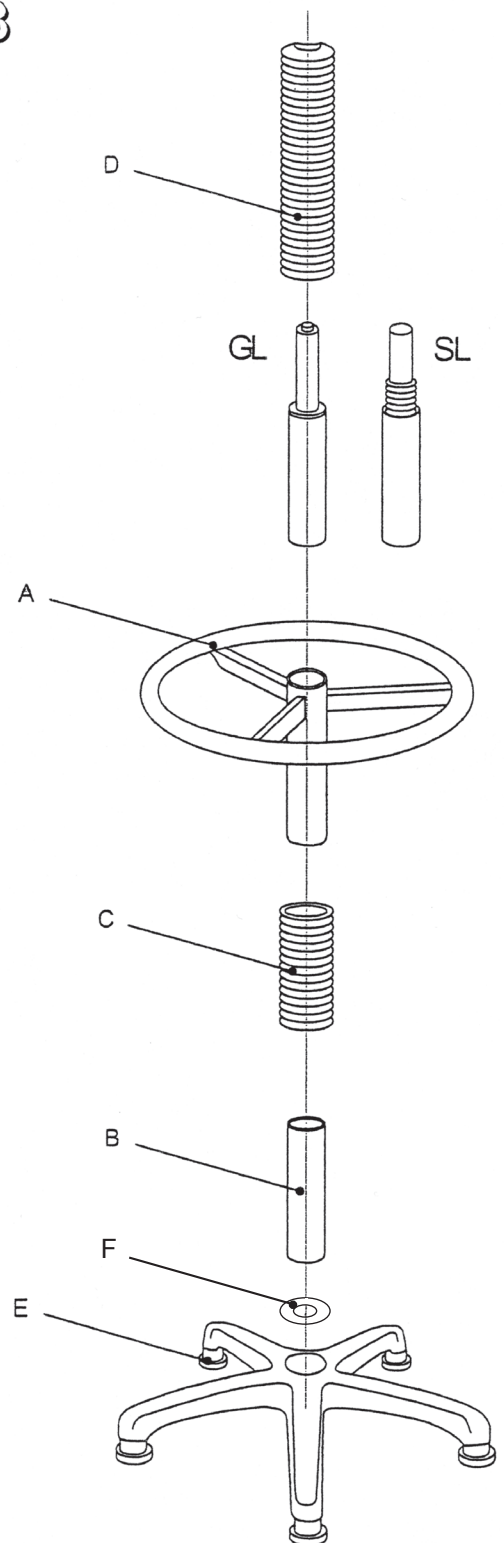
Togliere la ruota dal basamento  
 Pull the casters out of the 5 star base  
 Retirer la roulette du platement  
 Die roller vom fusskreuz wegnehmen

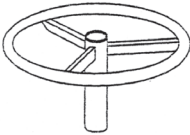





2



Spingere  
 Push in  
 Pousser  
 Drucken

3



											
A	x1	B	x1	C	x1	D	x1	E	x5	F	x1