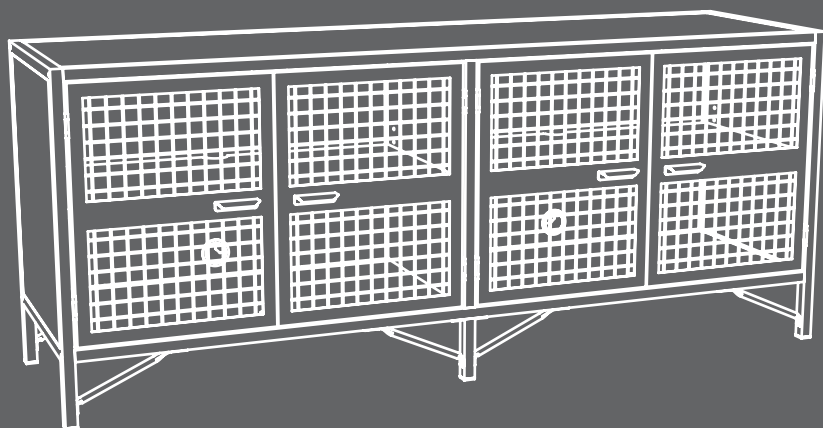


www.teknikoffice.co.uk

Teknik



It **stands**. You **sit**.
A thing of beauty,
this one.

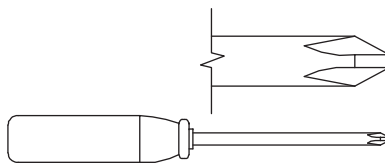
Industrial Styled Sideboard

Boulevard Cafe Collection | Model 5420649

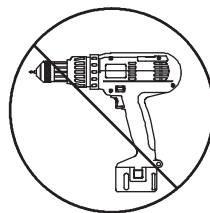
Table of Contents

Assembly Tools Required

Part Identification	3
Hardware Identification	4
Assembly Steps	5-20
Français	21-24
Español	25-28
Safety	29-30
Warranty	31



No. 2 Phillips Screwdriver
Tip Shown Actual Size

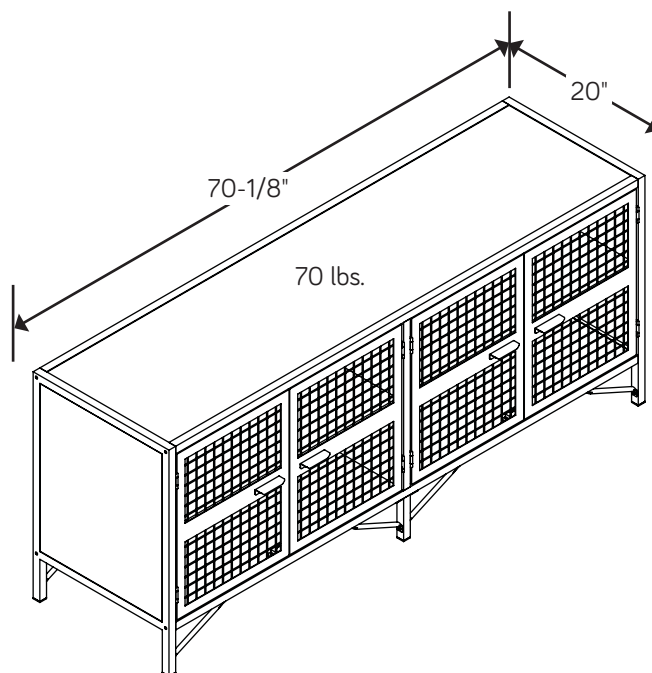


Skip the power trip.
This time.

⚠ WARNING

Use of a TV that is too heavy or large is hazardous. A TV that is too heavy will create a risk of a tip-over that can cause severe injury or death. A TV that is too large for the available space might be accidentally pushed or bumped off the furniture, or subject to tip-over.

- Check the size and weight of your TV. Compare it to the diagram below – **before you begin assembly!**
- This Sauder unit is designed for use with televisions weighing less than 70 pounds. **Never** use with a TV that weighs more.
- The size of the television, front-to-back and side-to-side, must fit within the space defined in the diagram.
 - **Never** place the front edge of the TV past the front edge of the TV support shelf (or stop molding – if equipped)
 - **Never** allow the sides of the TV to extend past the side edges of the TV support surface.
 - If the TV has a CRT picture tube, the picture tube cone may extend past the rear of the support shelf.
- Be sure to apply the warning label as instructed in the last assembly step. The label provides important safety related information.



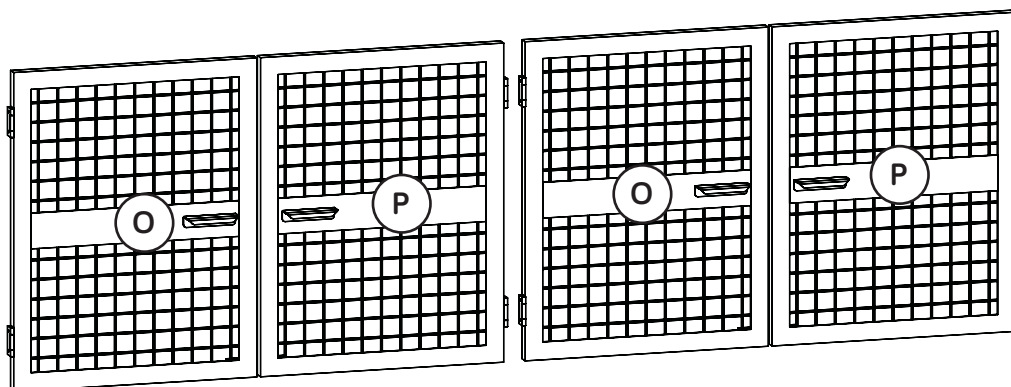
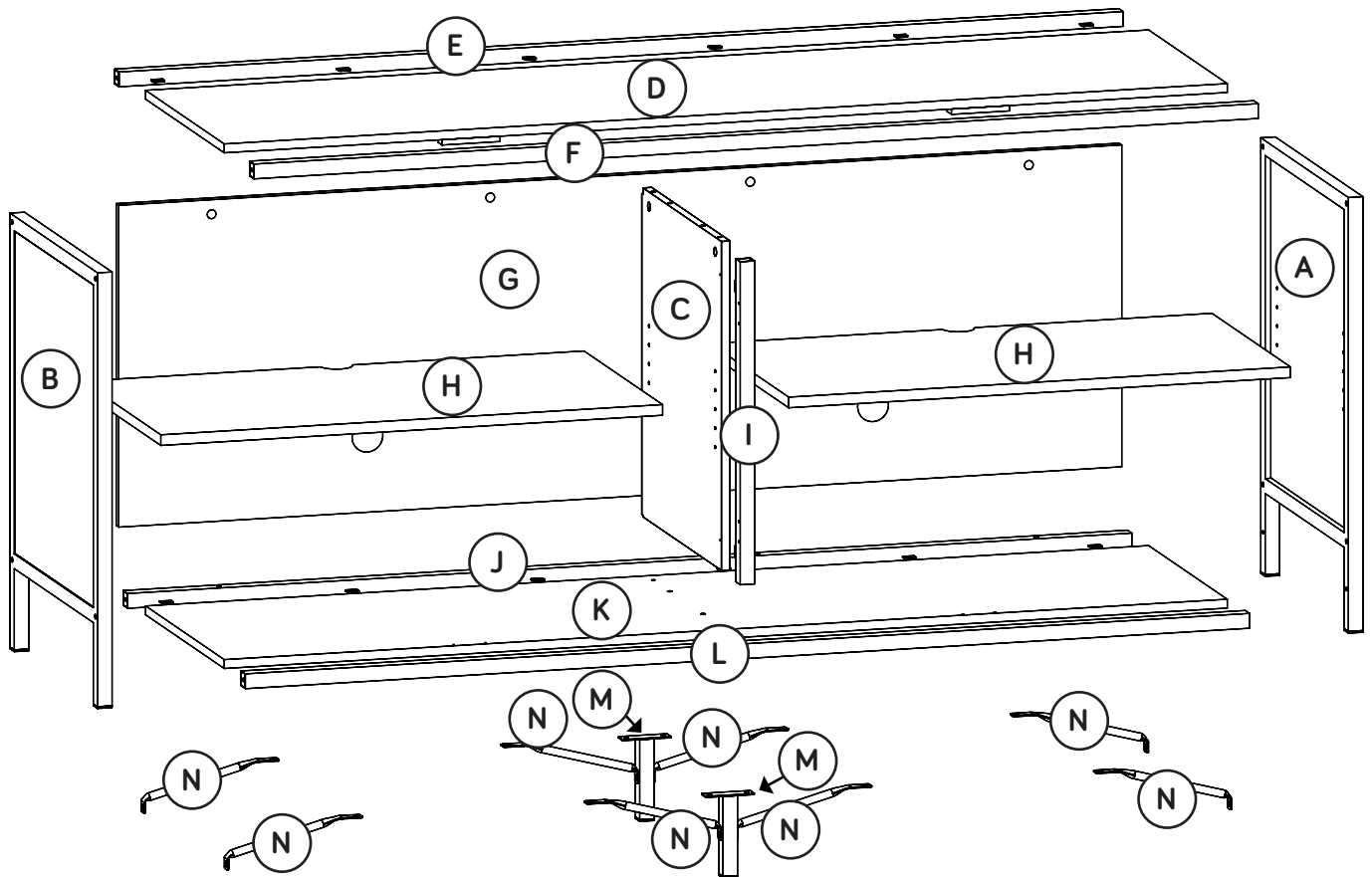
Part Identification

Now you know
our ABCs.



While not all parts are labeled, some of the parts will have a label or an inked letter on the edge to help distinguish similar parts from each other. Use this part identification to help identify similar parts.

A	RIGHT END (1)	G	BACK (1)	M	FOOT (2)
B	LEFT END (1)	H	ADJUSTABLE SHELF (2)	N	FOOT BRACE (8)
C	UPRIGHT (1)	I	UPRIGHT TUBE (1)	O	LEFT DOOR (2)
D	TOP (1)	J	REAR BOTTOM TUBE (1)	P	RIGHT DOOR (2)
E	REAR TOP TUBE (1)	K	BOTTOM (1)		
F	FRONT TOP TUBE (1)	L	FRONT BOTTOM TUBE (1)		



Hardware Identification

↑ Screws are shown actual size. You may receive extra hardware with your unit.

1 HIDDEN CAM - 6



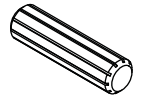
2 LARGE CAM SCREW - 2



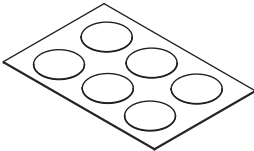
3 SMALL CAM SCREW - 4



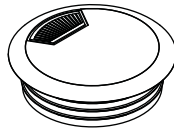
4 WOOD DOWEL - 4



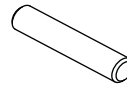
5 APPLIQUE CARD - 1



6 GROMMET WITH CAP - 2



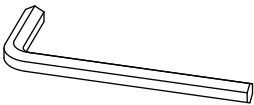
7 METAL PIN - 8



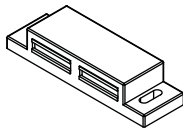
8 RUBBER SLEEVE - 8



9 L-WRENCH - 1



10 MAGNETIC CATCH - 4

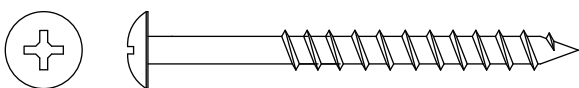


11 WARNING LABEL - 1

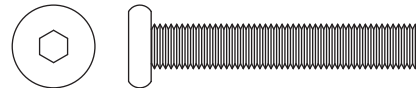


(Refer to the last step for proper location and application)

12 BLACK 2-1/4" PAN HEAD SCREW - 6



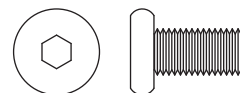
13 BLACK 1-3/8" HEX HEAD SCREW - 8



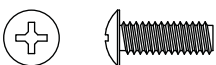
14 BLACK 5/8" PAN HEAD SCREW - 8



15 BLACK 1/2" HEX HEAD SCREW - 20



16 BLACK 1/2" MACHINE SCREW - 16

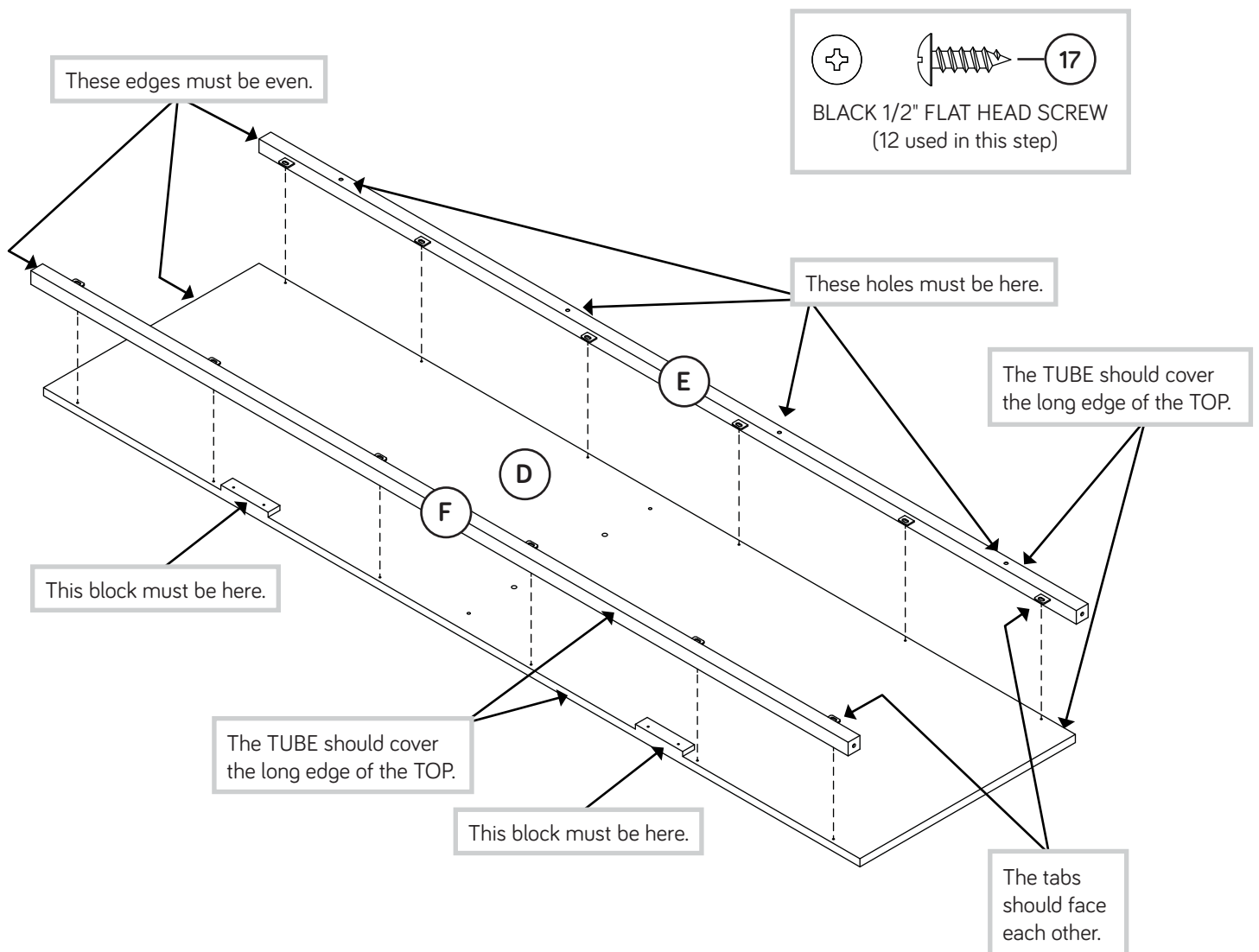


17 BLACK 1/2" PAN HEAD SCREW - 28



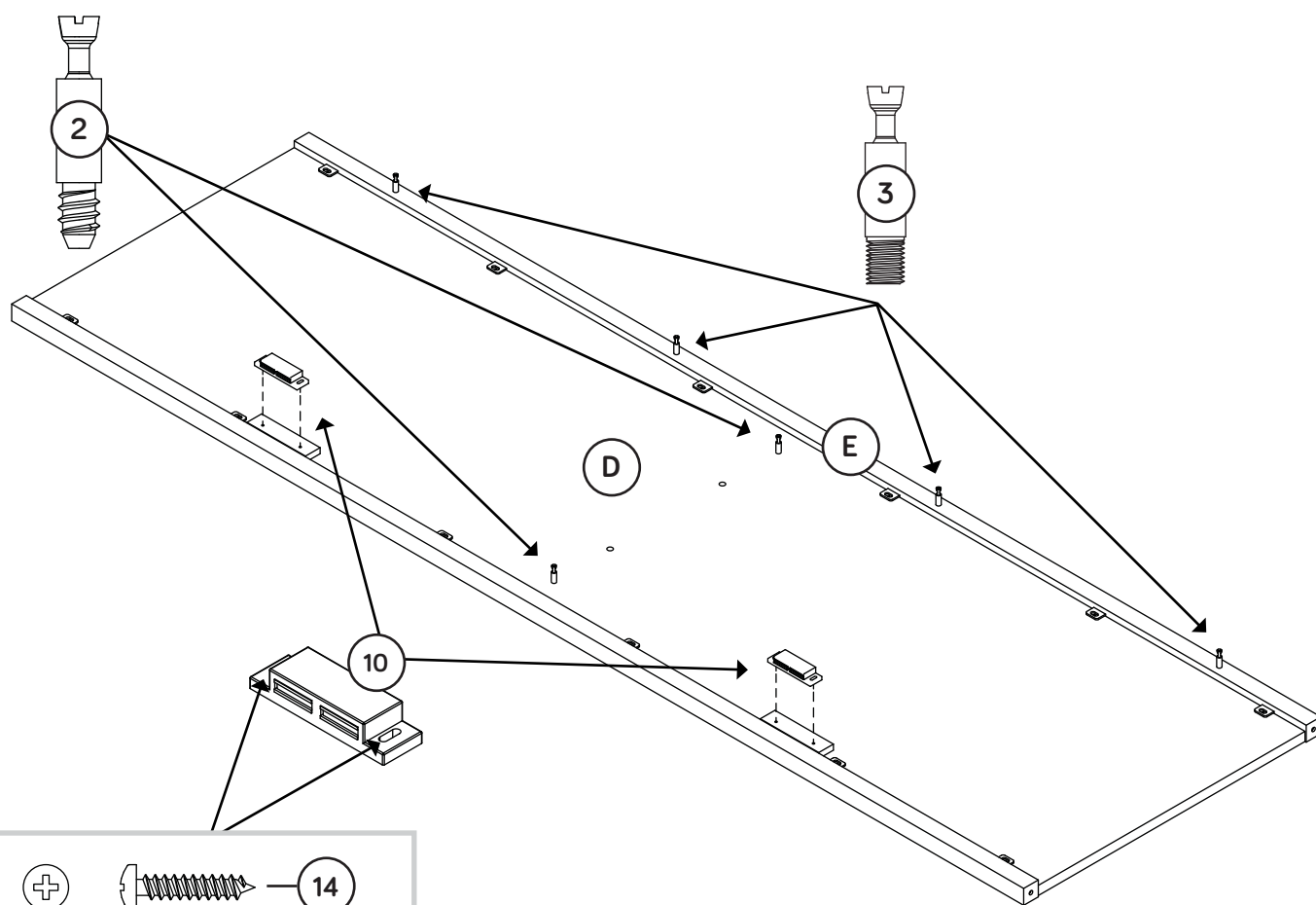
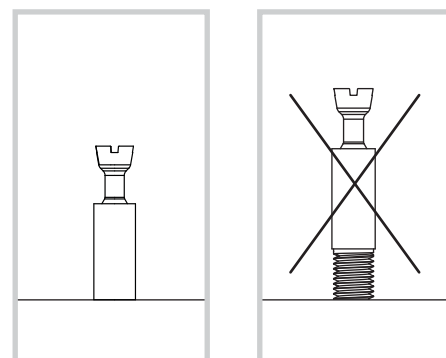
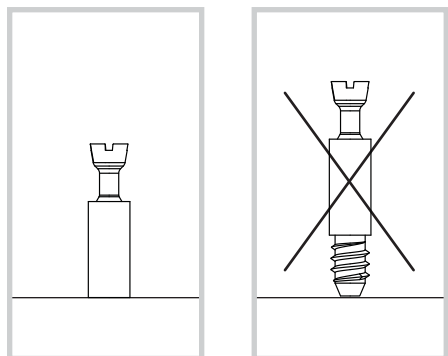
Step 1

- ⚡ Assemble your unit on a carpeted floor or on the empty carton to avoid scratching your unit or the floor.
- ⚡ Fasten the TOP TUBES (E and F) to the TOP (D). Use twelve BLACK 1/2" PAN HEAD SCREWS (17).



Step 2

- Fasten two MAGNETIC CATCHES (10) to the TOP (D).
Use four BLACK 5/8" PAN HEAD SCREWS (14).
- Turn two LARGE CAM SCREWS (2) into the TOP (D).
- Turn four SMALL CAM SCREWS (3) into the REAR TOP TUBE (E).



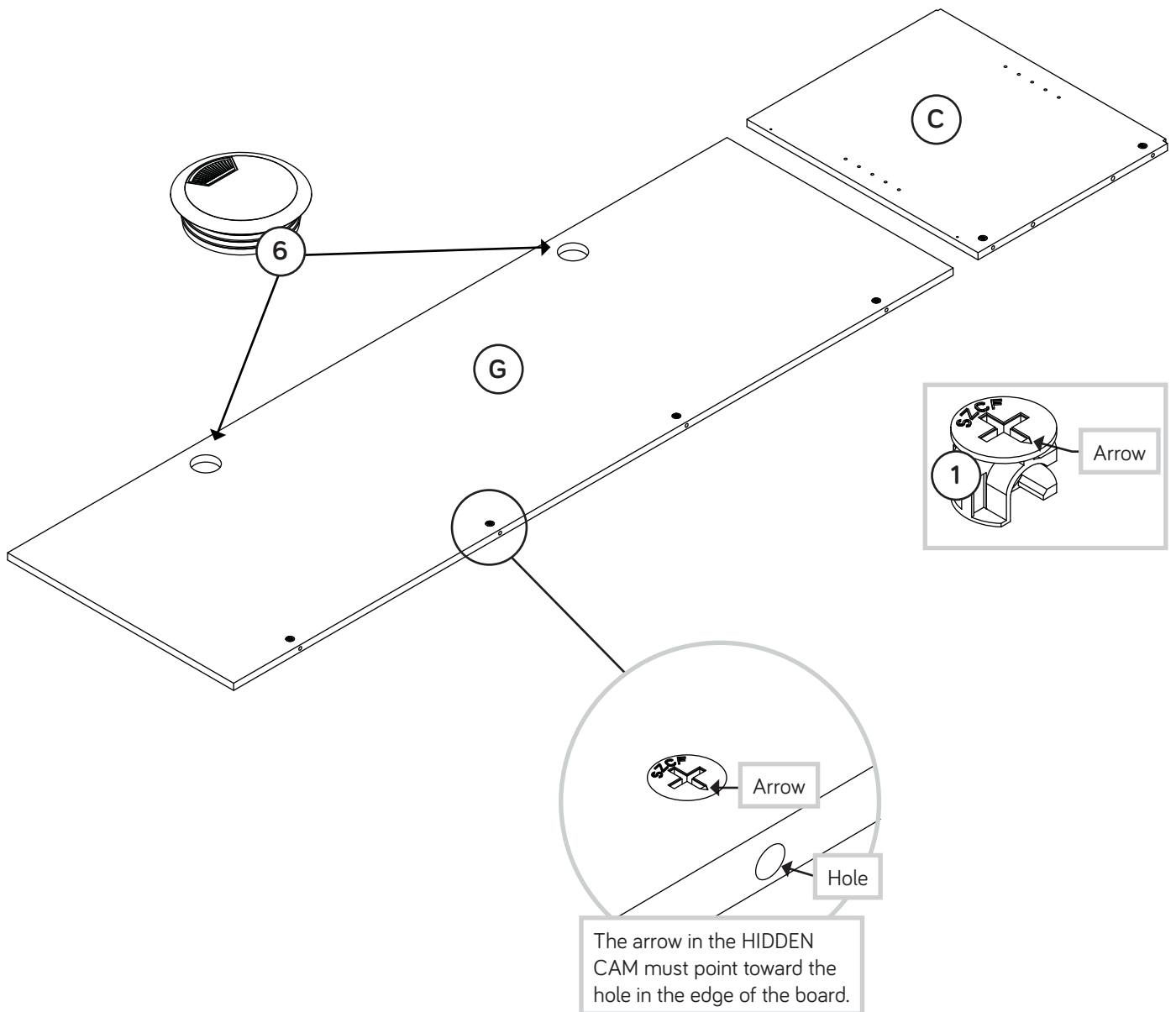
BLACK 5/8" PAN HEAD SCREW
(4 used for the MAGNETIC CATHCHES)

Step 3

- Push six HIDDEN CAMS (1) into the BACK (G) and UPRIGHT (C).
- Insert two GROMMETS WITH CAPS (6) into the BACK (G).

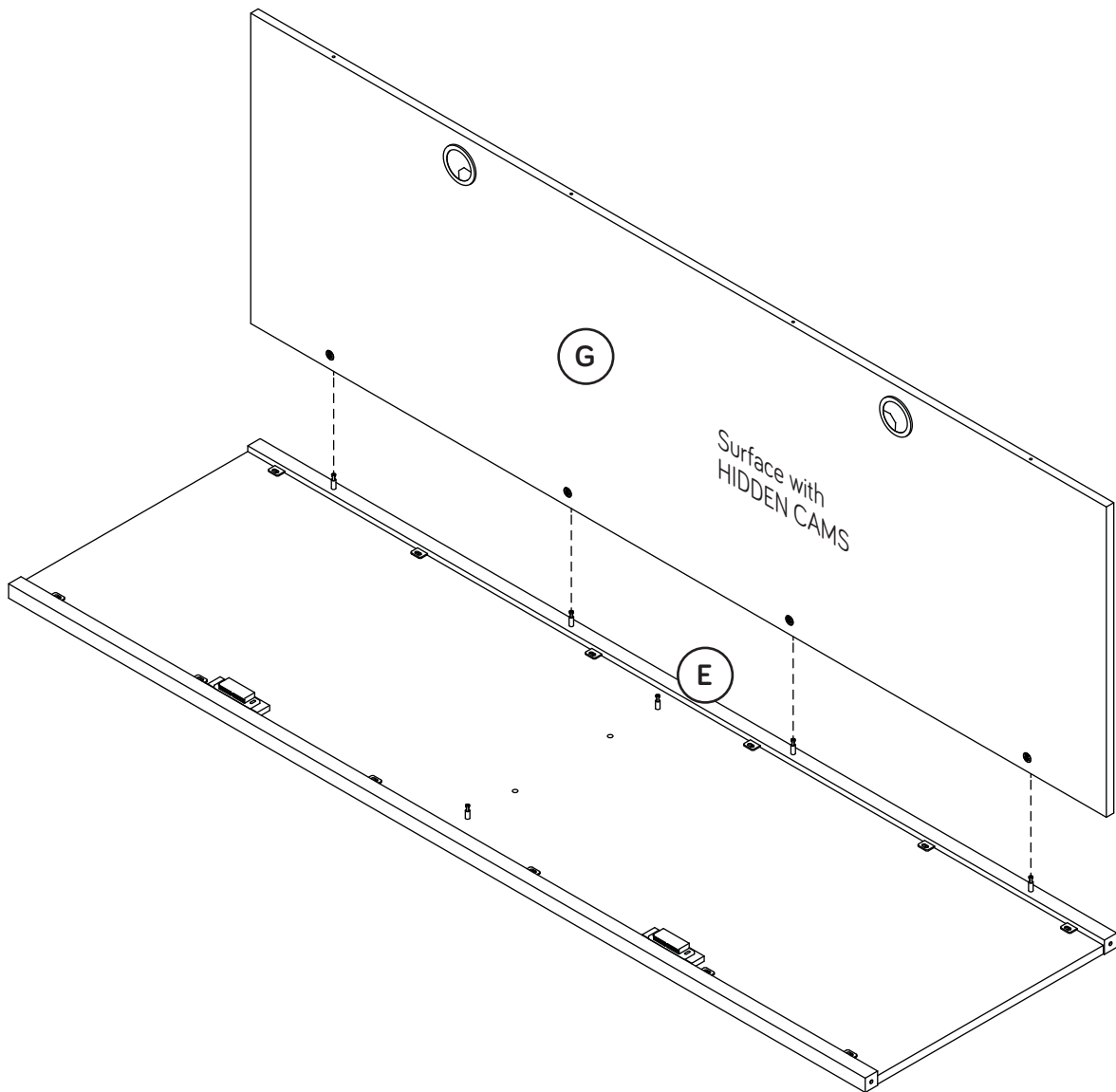
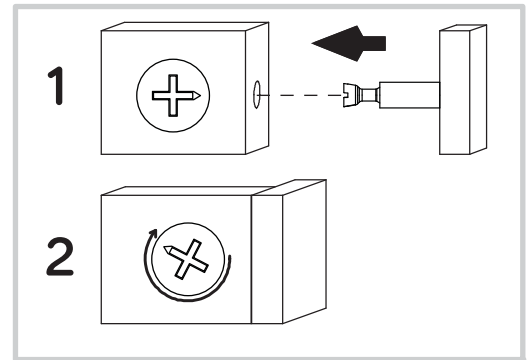


Some assembly
(and snacks) required.



Step 4

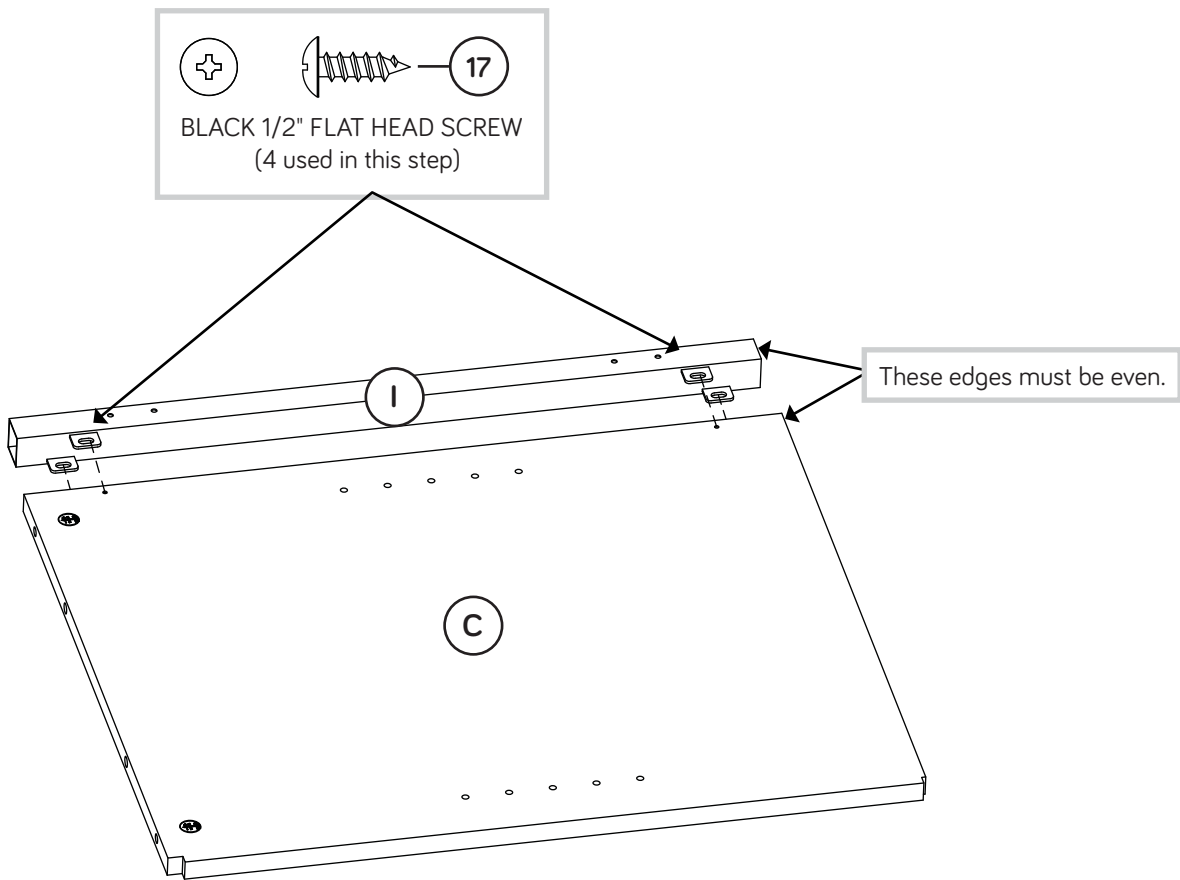
- Fasten the BACK (G) to the TOP REAR TUBE (E). Tighten four HIDDEN CAMS.



Step 5

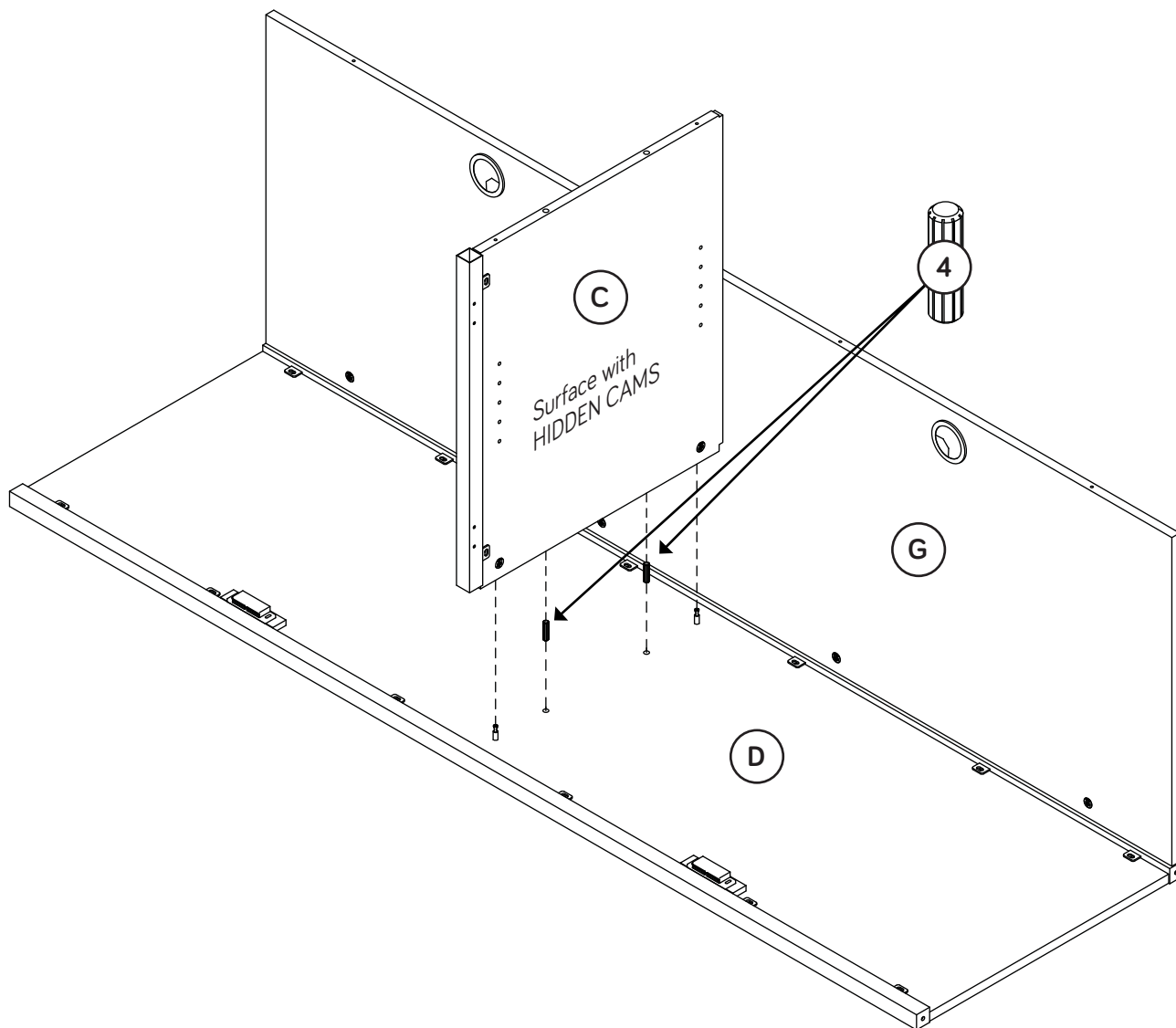
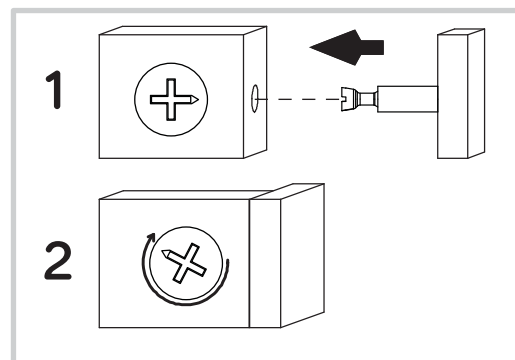
✚ Fasten the UPRIGHT TUBE (I) to the UPRIGHT (C). Use four BLACK 1/2" PAN HEAD SCREWS (17).

✚ NOTE: Two screws will turn into each surface of the UPRIGHT (C). Be sure to use the exact holes shown.



Step 6

- ✚ Push two WOOD DOWELS (4) into the TOP (D).
- ✚ Fasten the UPRIGHT (C) to the TOP (D). Tighten two HIDDEN CAMS.
- ✚ **NOTE:** Be sure the WOOD DOWELS in the TOP insert into the holes in the UPRIGHT.



Step 7

Fasten the BOTTOM TUBES (J and L) to the BOTTOM (K).
Use twelve BLACK 1/2" PAN HEAD SCREWS (17).

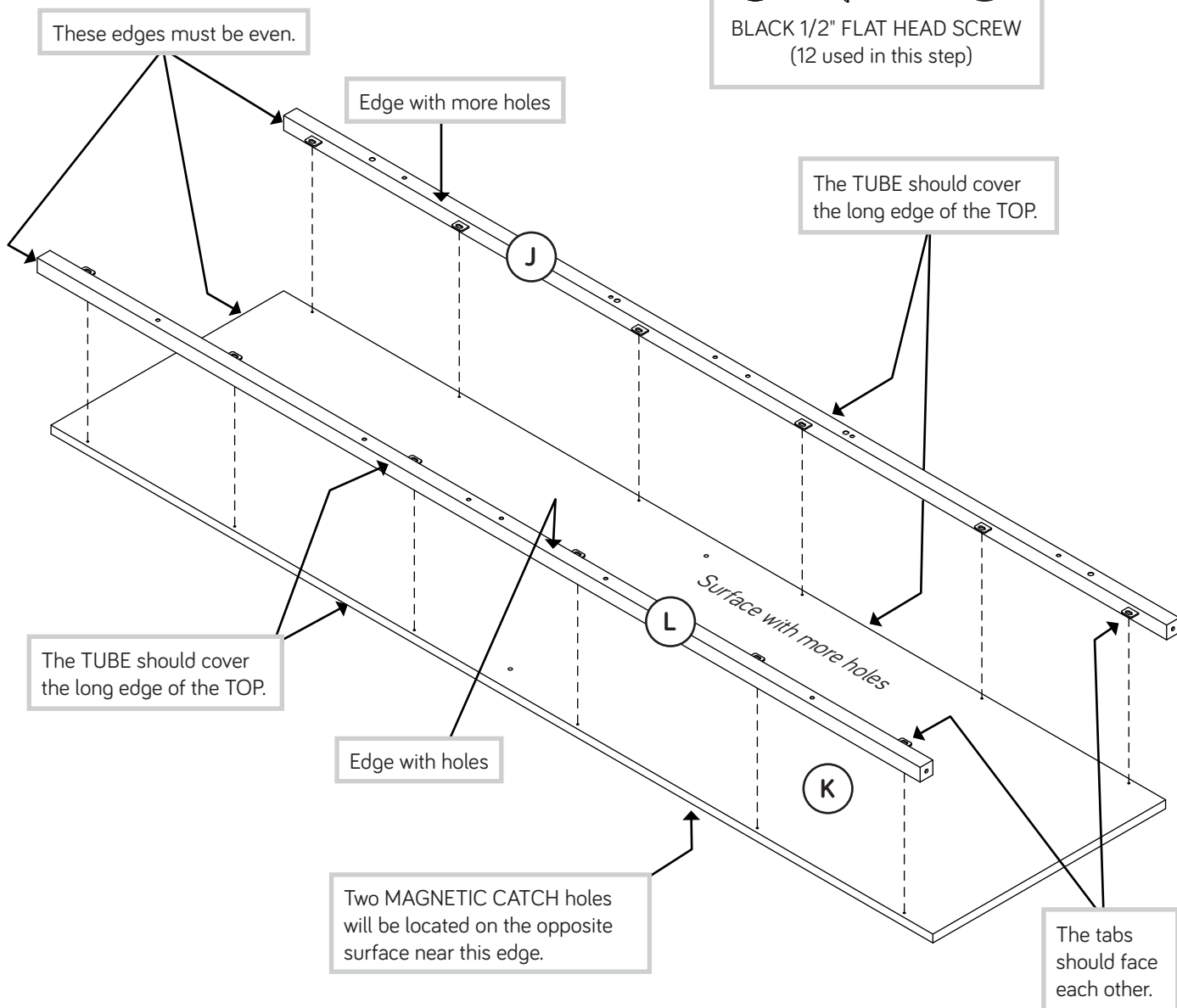


Now might be a good time to refresh your drink.



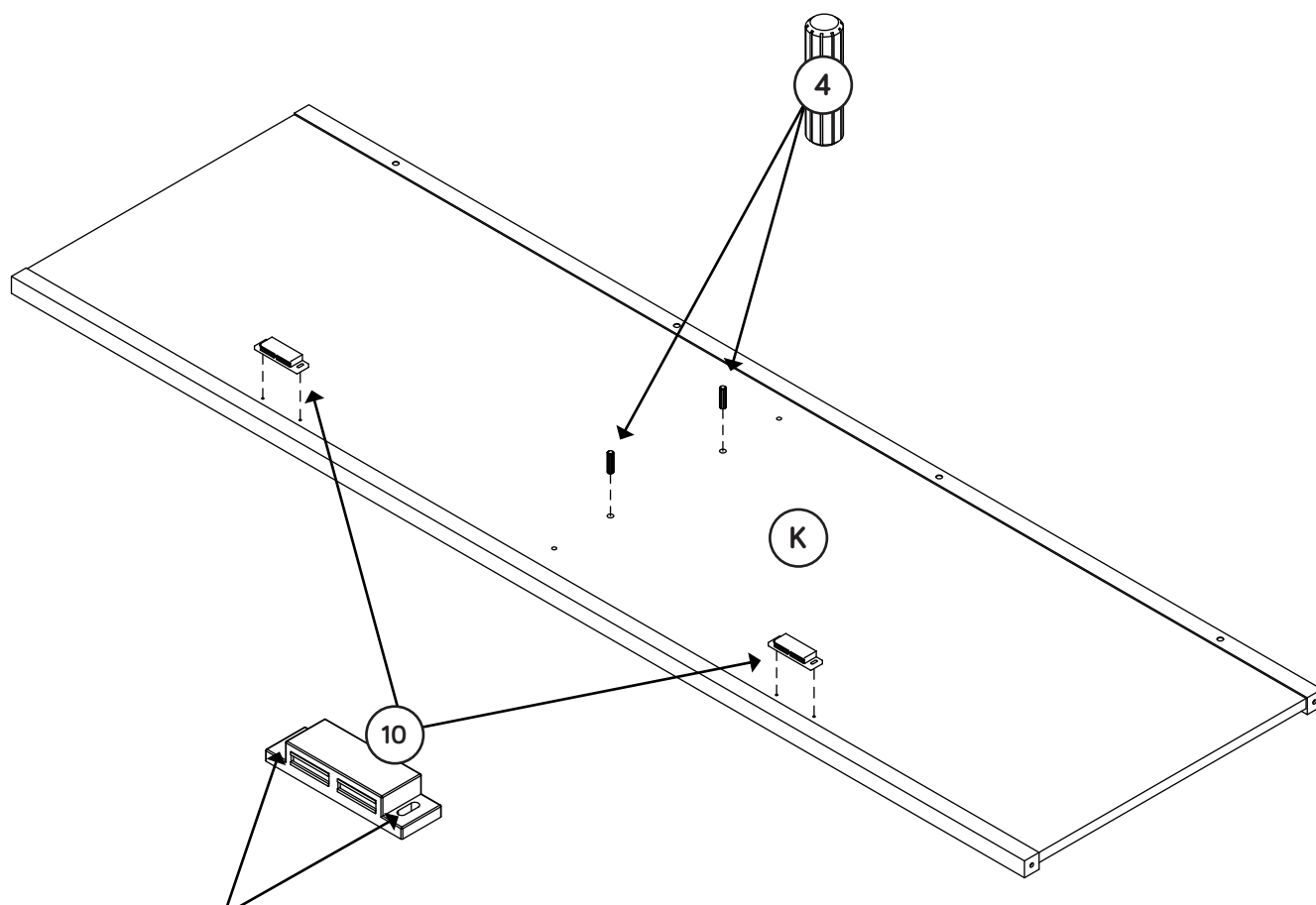
17




BLACK 1/2" FLAT HEAD SCREW
(12 used in this step)



Step 8

- ✚ Flip the BOTTOM (K) over.
- ✚ Push two WOOD DOWELS (4) into the BOTTOM (K).
- ✚ Fasten two MAGNETIC CATCHES (10) to the BOTTOM (K).
Use four BLACK 5/8" PAN HEAD SCREWS (14).



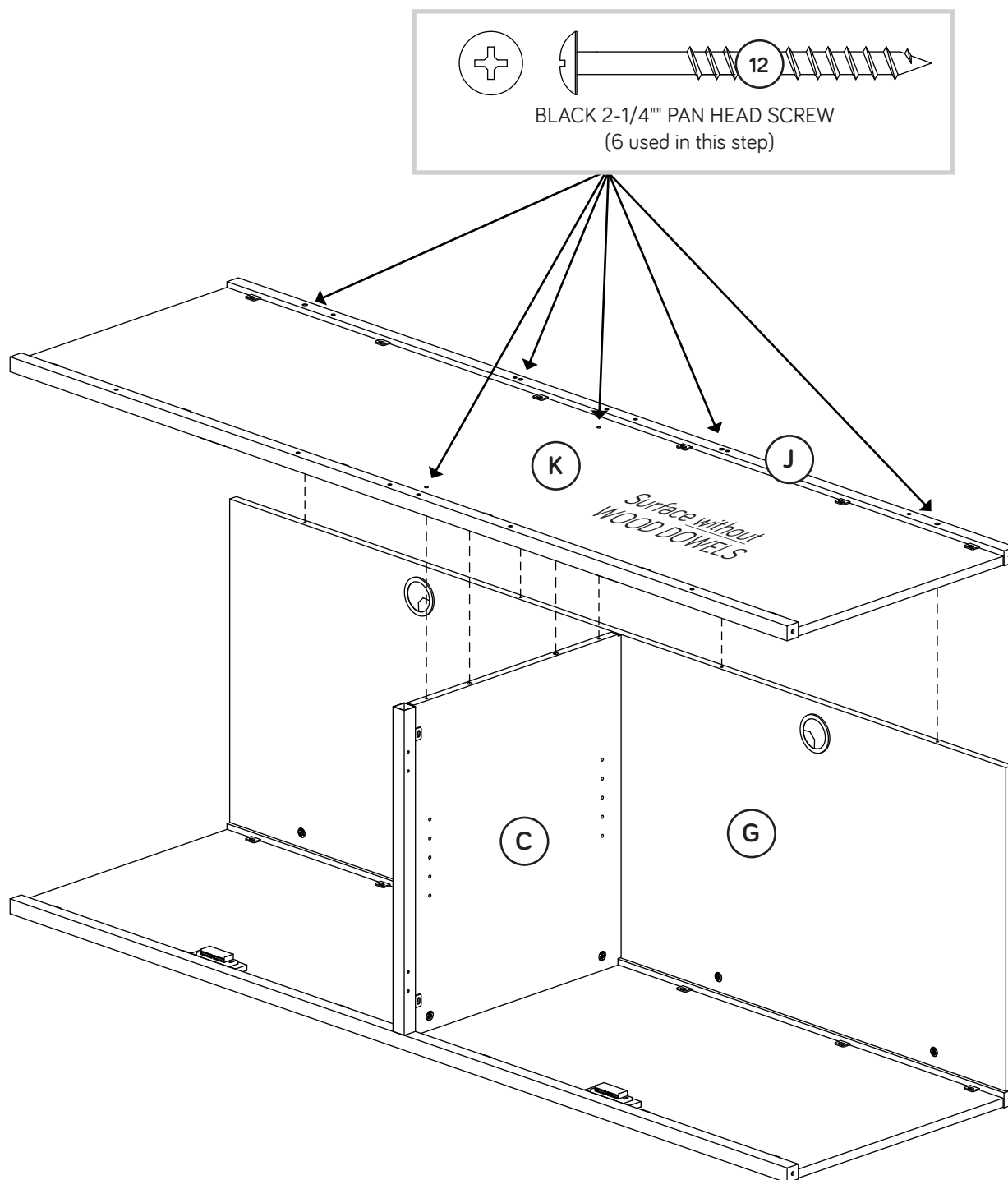
   14

BLACK 5/8" PAN HEAD SCREW
(4 used for the MAGNETIC CATCHES)

Step 9

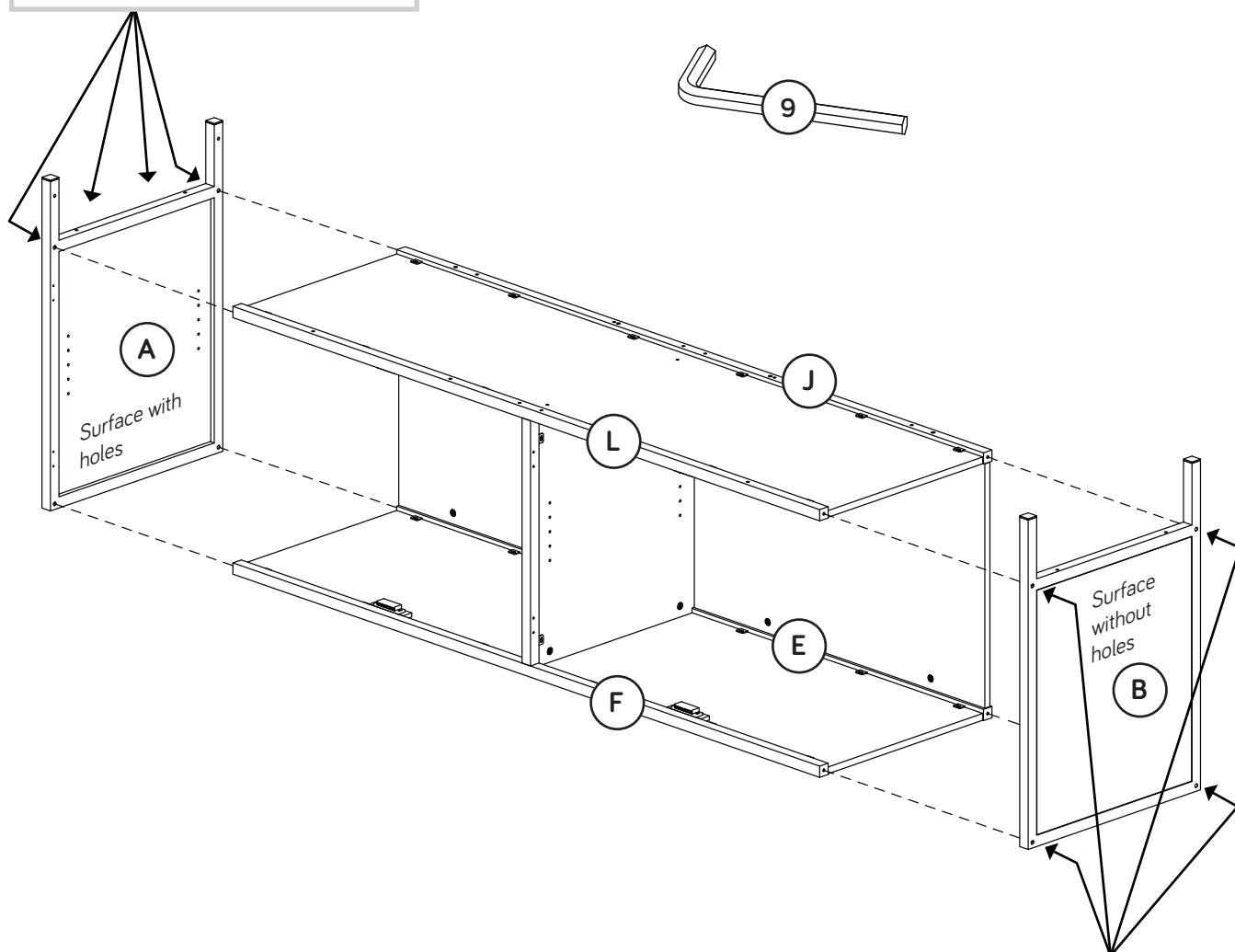
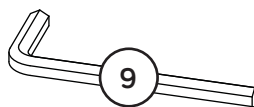
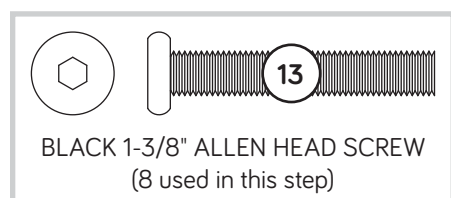
✚ Flip the BOTTOM (K) over and fasten it to the BACK (G) and UPRIGHT (C). Use six BLACK 2-1/4" PAN HEAD SCREWS (12).

✚ NOTE: Be sure the WOOD DOWELS in the BOTTOM insert into the holes in the UPRIGHT.



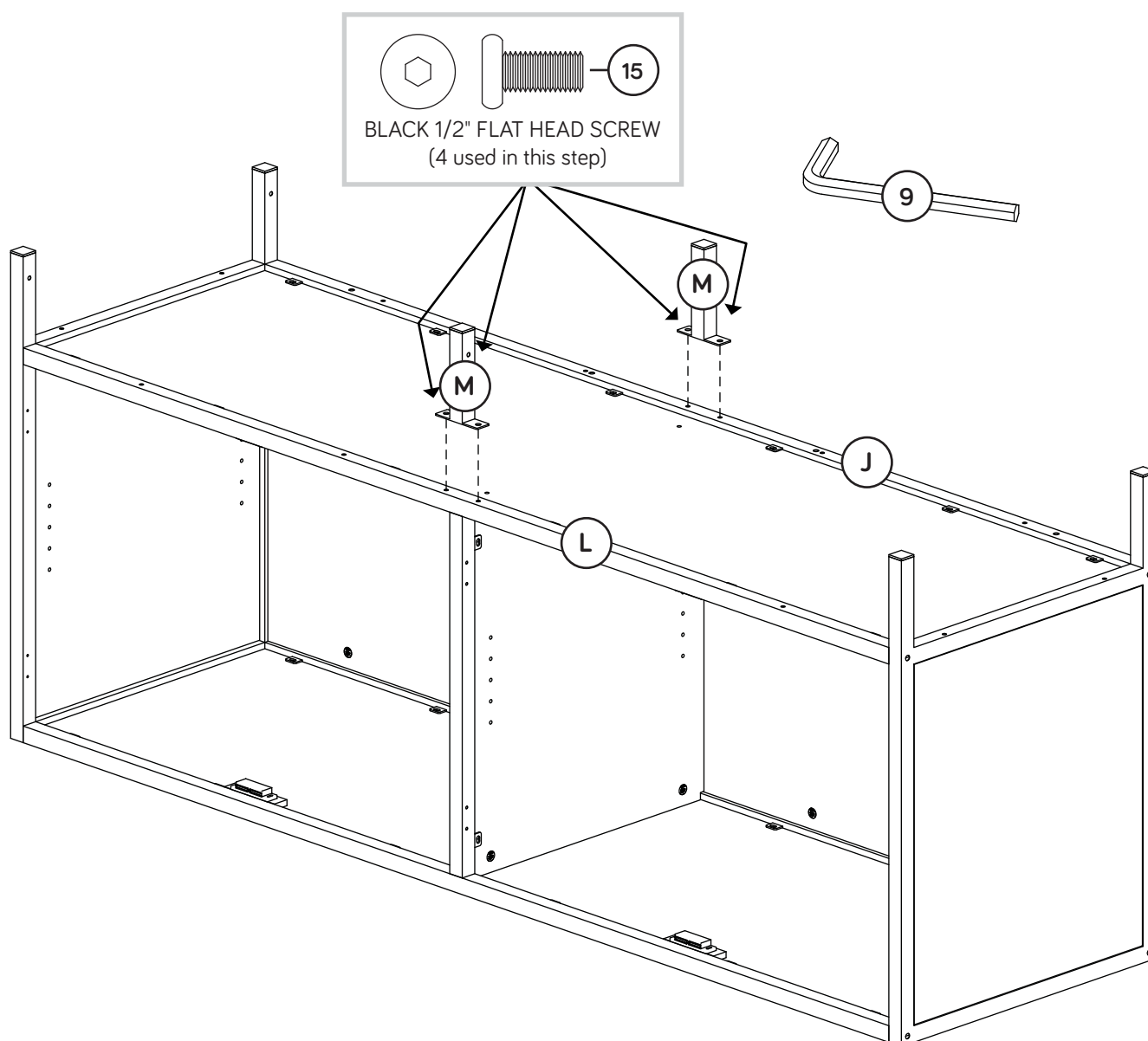
Step 10

- Fasten the ENDS (A and B) to the ends of the TUBES (E, F, J, and L). Tighten eight BLACK 1-3/8" HEX HEAD SCREWS (13) using the L-WRENCH (9).



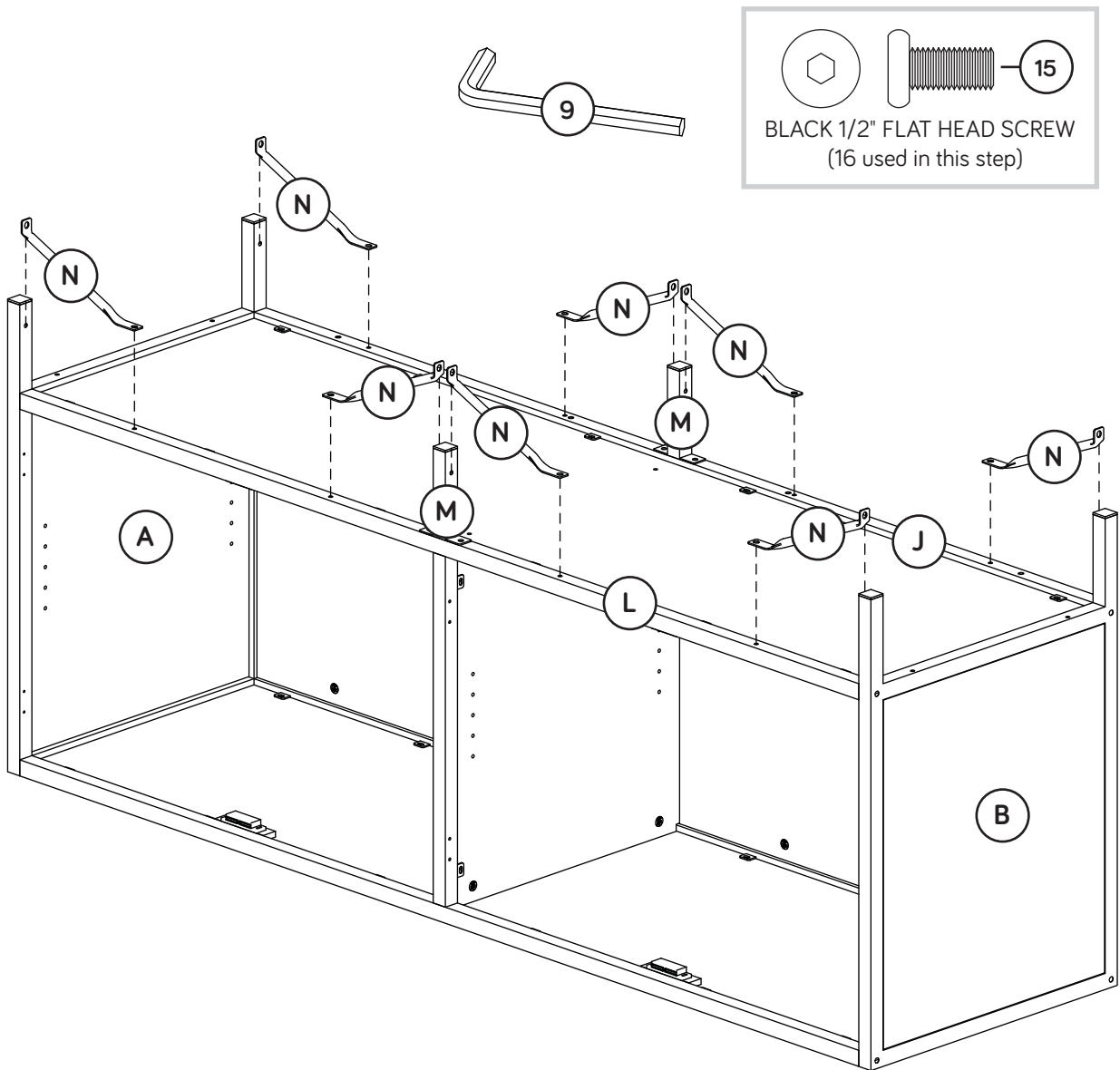
Step 11

- Fasten the FEET (M) to the BOTTOM TUBES (J and L).
Tighten four BLACK 1/2" HEX HEAD SCREWS (15) using the L-WRENCH (9).



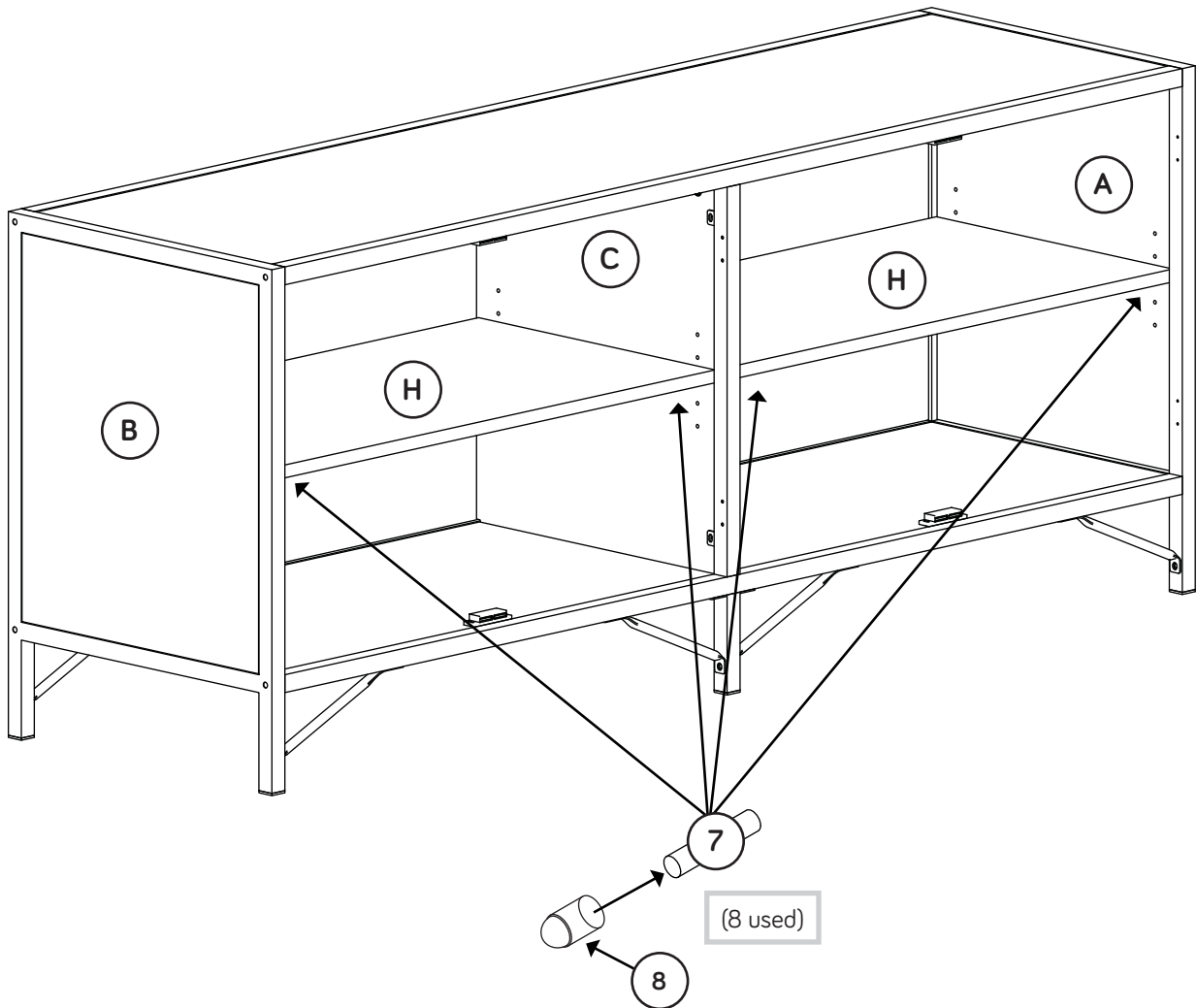
Step 12

- Fasten four FOOT BRACES (N) to the FEET (M) and BOTTOM TUBES (J and L). Tighten eight BLACK 1/2" HEX HEAD SCREWS (15) with the L-WRENCH (9).
- Fasten the remaining four FOOT BRACES (N) to the ENDS (A and B) and BOTTOM TUBES (J and L). Tighten eight BLACK 1/2" HEX HEAD SCREWS (15) with the L-WRENCH (9).
- NOTE:** Start each screw a few turns before tightening any of the them.



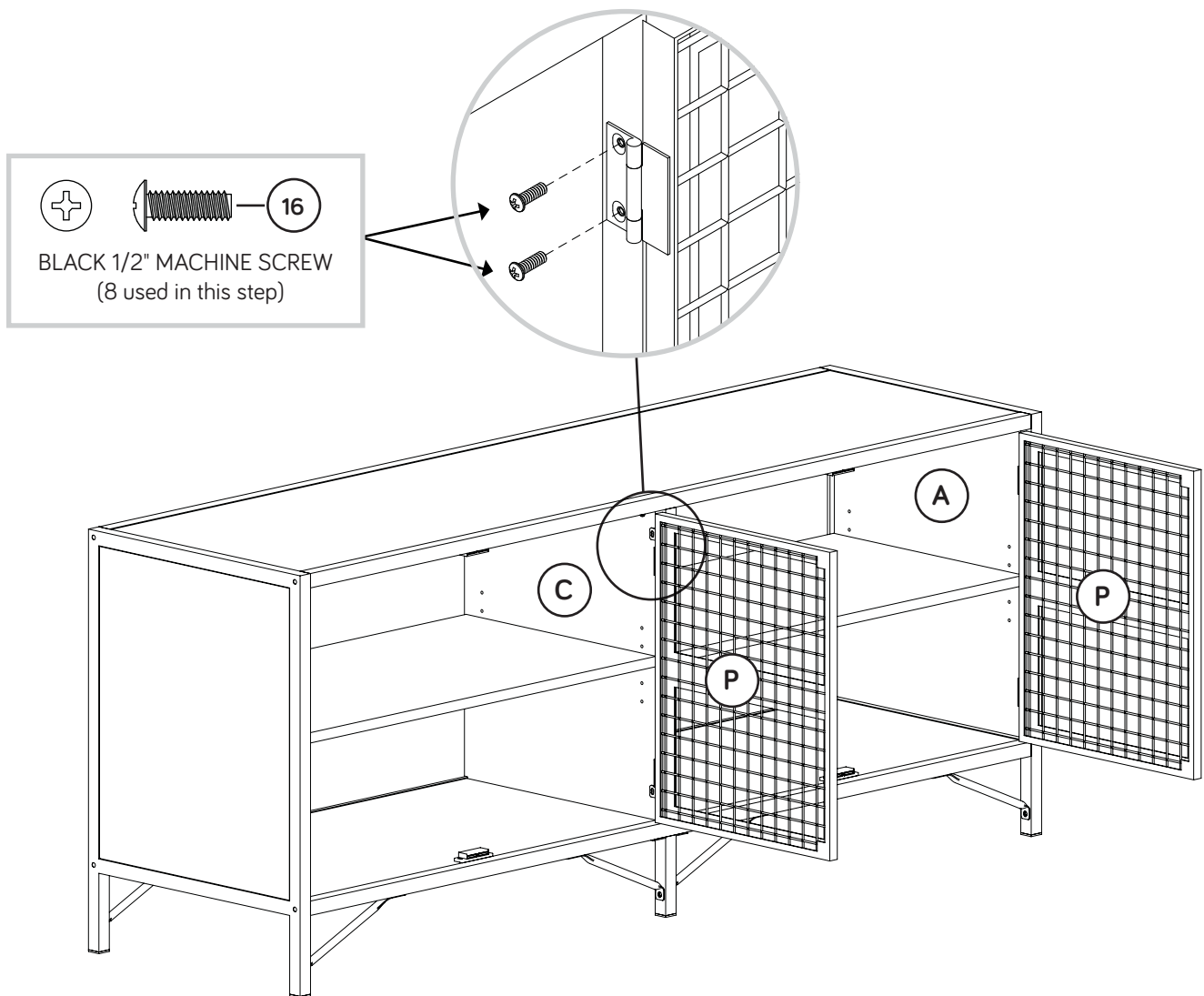
Step 13

- 🔌 Carefully stand your unit upright.
- 🔌 Push the RUBBER SLEEVES (8) over the METAL PINS (7). Insert the METAL PINS into the hole locations of your choice in the ENDS (A and B) and UPRIGHT (C). Set the ADJUSTABLE SHELVES (H) onto the METAL PINS.



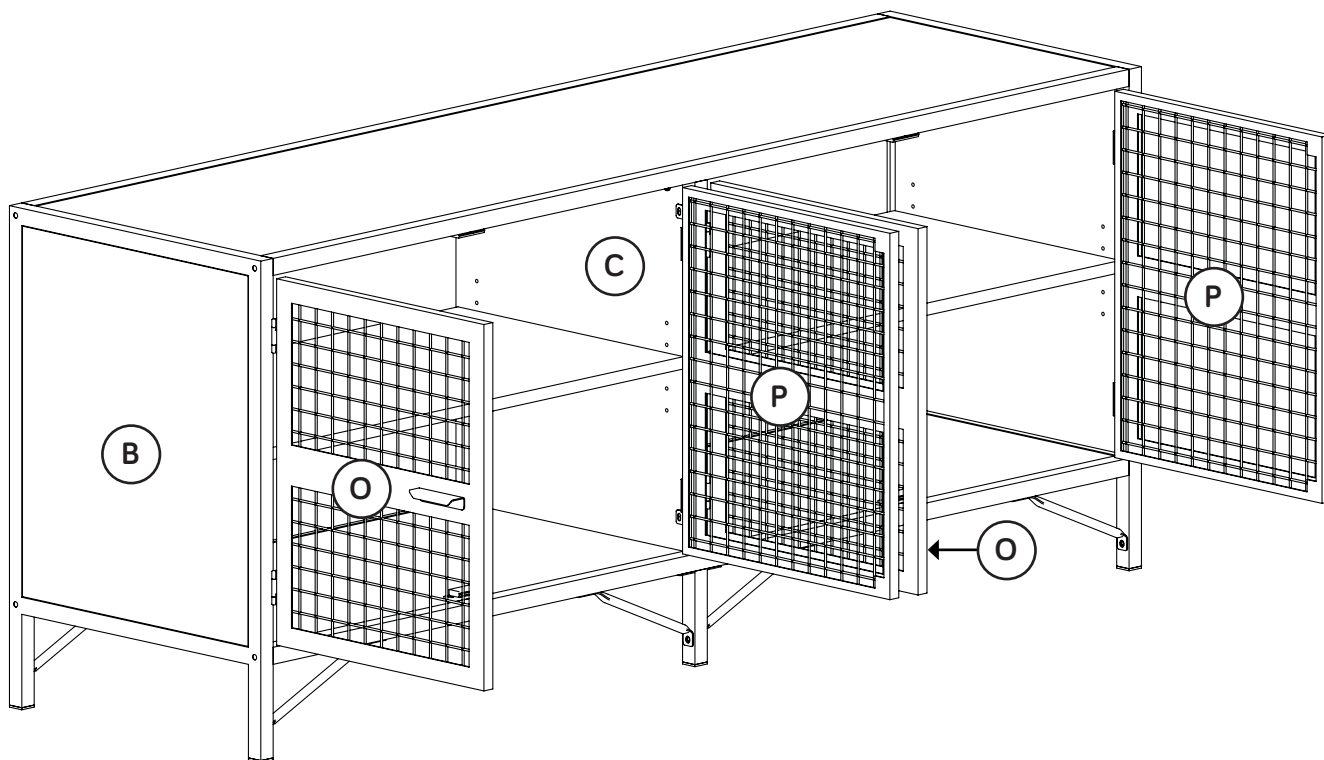
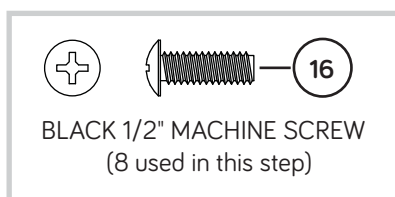
Step 14

- Fasten the RIGHT DOORS (P) to the RIGHT END (A) and UPRIGHT (C). Use eight BLACK 1/2" MACHINE SCREWS (16).



Step 15

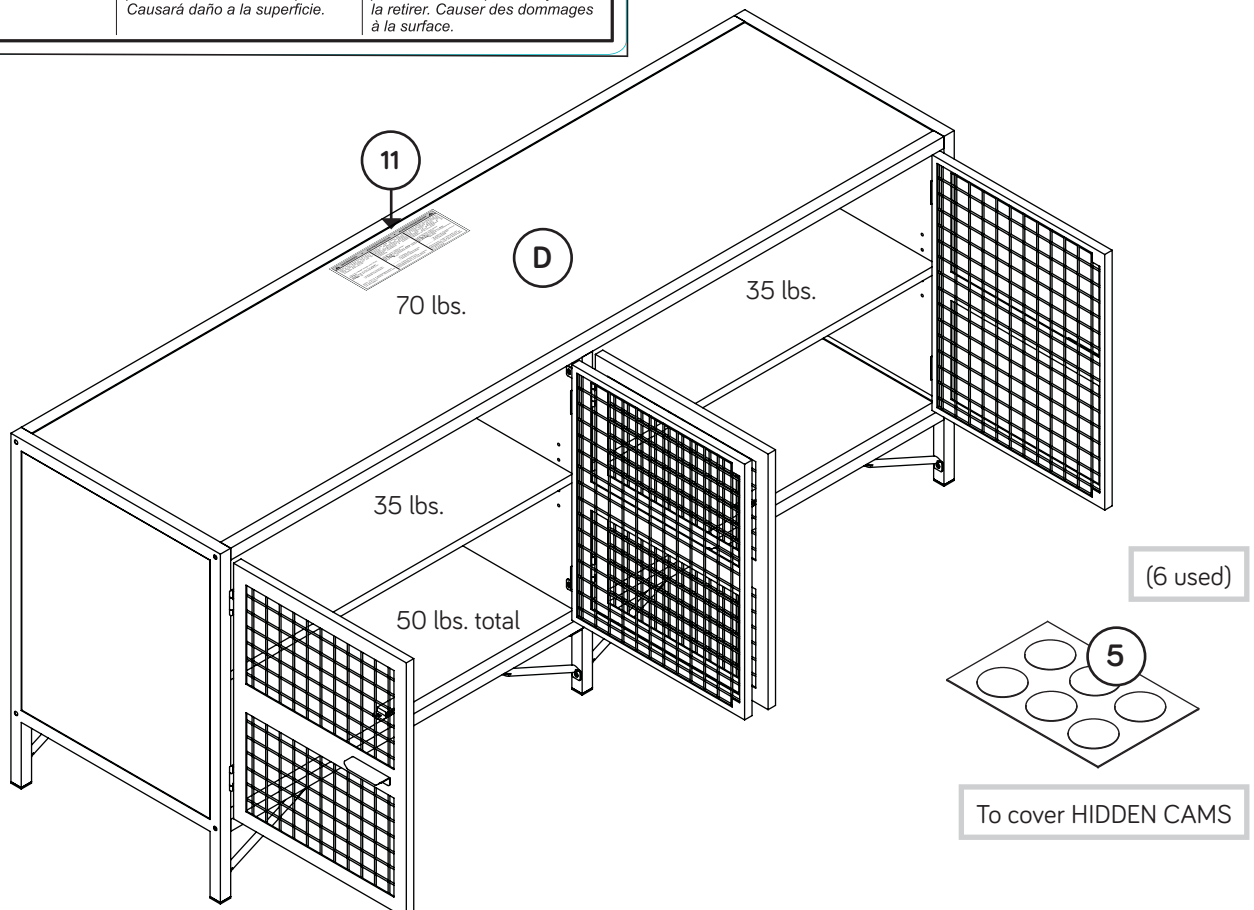
- ✚ Fasten the LEFT DOORS (O) to the LEFT END (B) and UPRIGHT (C). Use eight BLACK 1/2" MACHINE SCREWS (16).
- ✚ To vertically adjust the DOORS (O and P), loosen the screws in the hinges and make adjustments. Then, tighten the screws.



Step 16

- ✚ Peel APPLIQUES from the APPLIQUE CARD (5) and stick them onto each visible HIDDEN CAM.
- ✚ Apply the WARNING LABEL (11) to the TOP (D). You should be able to read the label when the TV is removed from the unit. When the TV is in place, it should hide the label. Peel off the backing and apply the label as shown in the diagram.
- ✚ **NOTE:** This is a permanent label intended to last for the life of the product. Once applied, do not try to remove it.
- ✚ **NOTE:** Please read the back pages of the instruction booklet for important safety information.
- ✚ This completes assembly. Clean with your favorite furniture polish or a damp cloth. Wipe dry.

⚠ WARNING • ADVERTENCIA • AVERTISSEMENT ⚠		
<p>Never use this furniture with a TV that is too large or too heavy. Severe injury or death can occur. The TV and furniture will be unstable and may tip.</p> <p>-The TV must weigh less than 70 lbs.</p> <p>-The base of the TV must be able to sit completely on this shelf.</p> <p>Refer to instruction book for complete safety information.</p> <p><i>Note: This is a permanent label. Do not try to remove. Surface will be damaged.</i></p>	<p>Nunca use este mueble con un televisor que es demasiado grande o demasiado pesado. Podría resultar en una lesión grave hasta fatal. El televisor y el mueble estarán inestables y pueden volcarse.</p> <p>-El televisor debe pesar 31,75 kg o menos.</p> <p>-La base del televisor debe poder colocarse completamente sobre este estante.</p> <p>Consulte el folleto de instrucciones para información completa sobre la seguridad.</p> <p><i>Nota: Esta etiqueta es permanente. No intente quitarla. Causará daño a la superficie.</i></p>	<p>Ne jamais utiliser ce meuble avec un téléviseur qui soit trop large ou trop lourd. Risque de provoquer des blessures graves, voire mortelles. Le téléviseur et le meuble seront instables et risquent de se renverser.</p> <p>-Le téléviseur doit peser 31,75 kg ou moins.</p> <p>-Le socle du téléviseur doit pouvoir être placé complètement sur cette tablette.</p> <p>Consulter le manuel d'instructions pour information complète concernant la sécurité.</p> <p><i>Remarque: Cette étiquette est permanente. Ne pas essayer de la retirer. Causer des dommages à la surface.</i></p>



⚠ WARNING

Please use your furniture correctly and safely. Improper use can cause safety hazards, or damage to your furniture or household items. Carefully read the following safety information.

Death or serious injury may occur when children climb on audio and/or video equipment furniture. A remote control or toys placed on the furnishing may encourage a child to climb on the furnishing and as a result may tip over onto the child.

NEVER allow children to climb or play with the TV or furnishing supporting the TV.

NEVER place toys, food, remote, etc. on top of the TV or TV furnishing.

ALWAYS use either the safety hardware as instructed or other wall anchoring device.

Relocating audio and/or video equipment to furniture not specifically designed to support audio and/or video equipment may result in death or serious injury due to furniture collapse or over turning onto a child.

NEVER place a TV on furniture that is not intended to support a TV.

NEVER exceed the maximum size and weight of the TV shown in the instructions.

Be sure to apply the TV warning label as shown in the instructions.

Overloading drawers and shelves may result in furniture that can break or sag, or tip-over which may result in injury.

NEVER exceed the weight limits shown in the instructions.

Place the heavier items on lower shelves as far back from the front as possible.

Load the bottom surfaces first to avoid top-heavy furniture.

Moving furniture that is not designed to be moved or equipped with casters may result in injury or damage to furnishings or personal property.

ALWAYS unload shelves and drawers, starting with the top surfaces, before moving.

NEVER push or pull furniture on carpet. Have a friend help lift properly to move and/or reposition it.