



3-Drawer Mobile Pedestal

Hudson Elm finish | **Model 5427873**

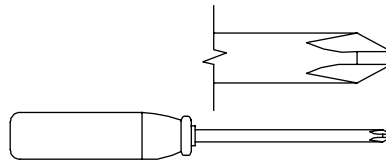
NOTE: THIS INSTRUCTION
BOOKLET CONTAINS
IMPORTANT SAFETY
INFORMATION.
PLEASE READ AND KEEP
FOR FUTURE REFERENCE.

English pg 1-28
Français pg 29-32
Español pg 33-36

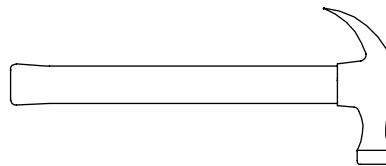
Lot # **572777**
Purchased:

10/13/21

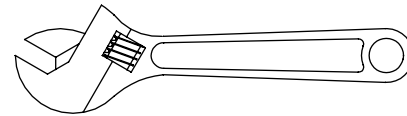
Part Identification	3
Hardware Identification	4-5
Hardware Usage Guide	7
Assembly Steps	6-28
Français	29-32
Español	33-36
Safety	37-38
Warranty	39



No. 2 Phillips Screwdriver
Tip Shown Actual Size



Hammer
Not actual size 😊



Adjustable Wrench

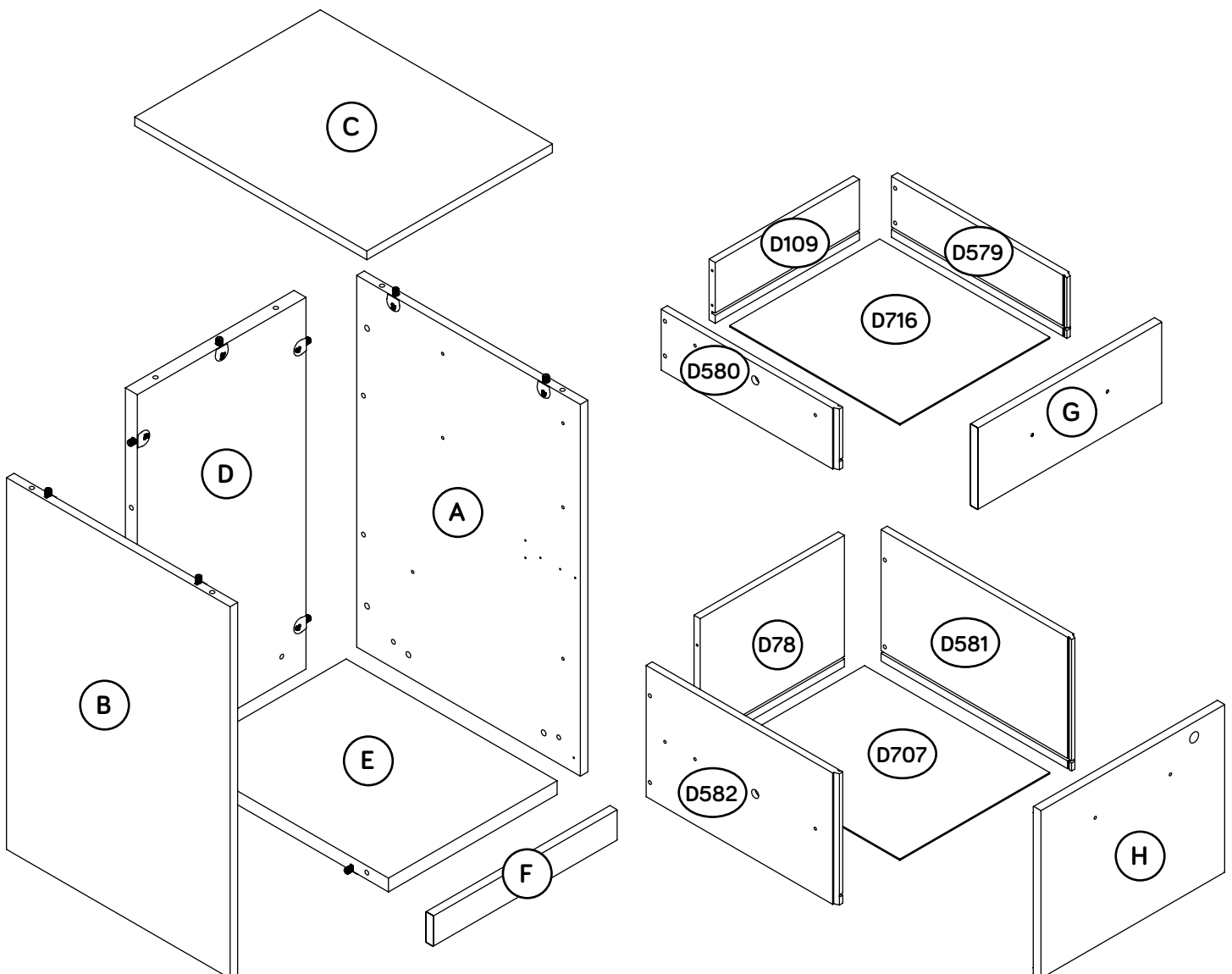
Part Identification

Now you know
our ABCs.



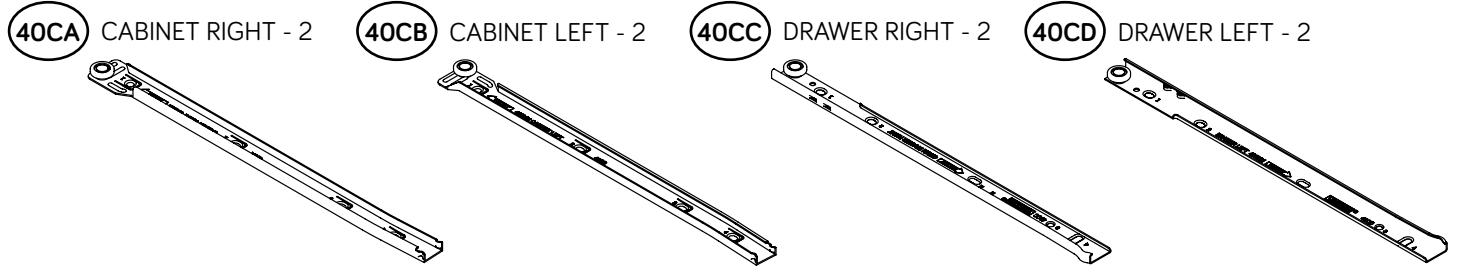
† While not all parts are labeled, some of the parts will have a label or an inked letter on the edge to help distinguish similar parts from each other. Use this part identification to help identify similar parts.

A	RIGHT END (1)	D579	RIGHT DRAWER SIDE (2)	E	BOTTOM (1)
B	LEFT END (1)	D580	LEFT DRAWER SIDE (2)	F	BASE (1)
C	TOP (1)	D581	LARGE RIGHT DRAWER SIDE (1)	G	DRAWER FRONT (2)
D	BACK (1)	D582	LARGE LEFT DRAWER SIDE (1)	H	LOCKING DRAWER FRONT (1)
D78	LARGE DRAWER BACK (1)	D707	LARGE DRAWER BOTTOM (1)		
D109	DRAWER BACK (2)	D716	DRAWER BOTTOM (2)		

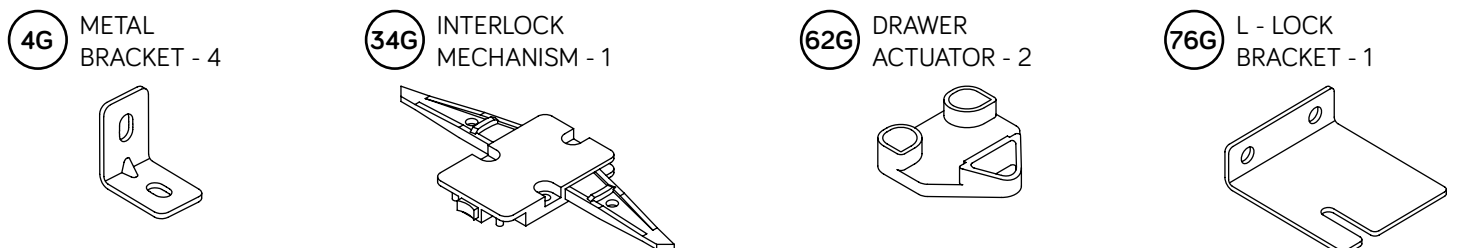
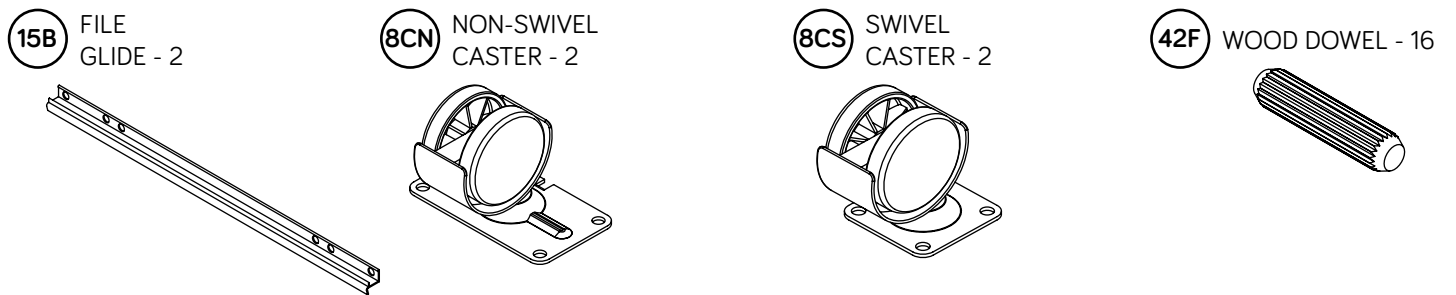
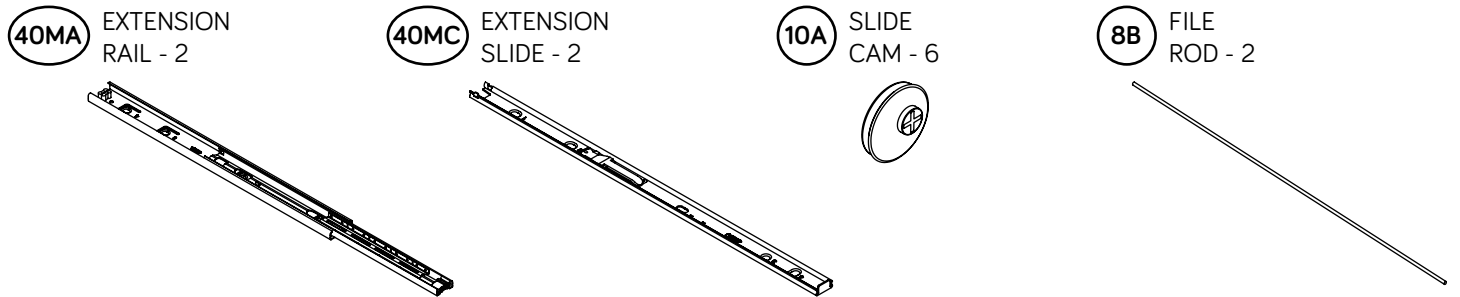


Hardware Identification

↑ Screws are shown actual size. You may receive extra hardware with your unit.



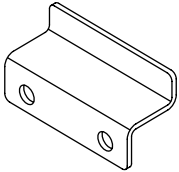
(EXTENSION SET SHOWN SEPARATED)



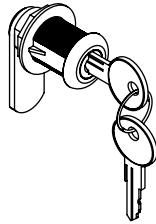
Hardware Identification

† Screws are shown actual size. You may receive extra hardware with your unit.

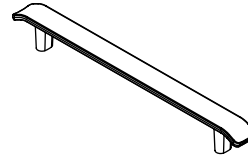
77G Z - LOCK BRACKET - 1



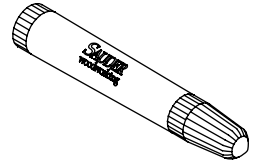
21J LOCK PACK - 1



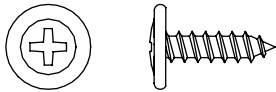
202K PULL - 3



10M TOUCH-UP PEN - 1



1S BLACK 9/16" LARGE HEAD SCREW - 28



3S GOLD 5/16" FLAT HEAD SCREW - 24



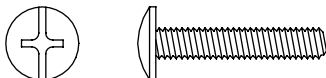
11S BLACK 1/2" FLAT HEAD SCREW - 6



30S BLACK 1-9/16" FLAT HEAD SCREW - 12



37S BLACK 7/8" MACHINE SCREW - 6



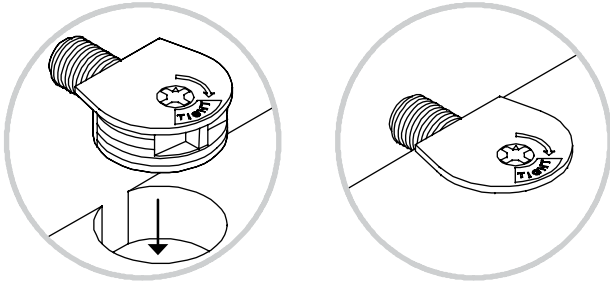
51S BLACK 9/16" PAN HEAD SCREW - 3



Hardware Usage Guide

HOW TO USE A TWIST-LOCK® FASTENER

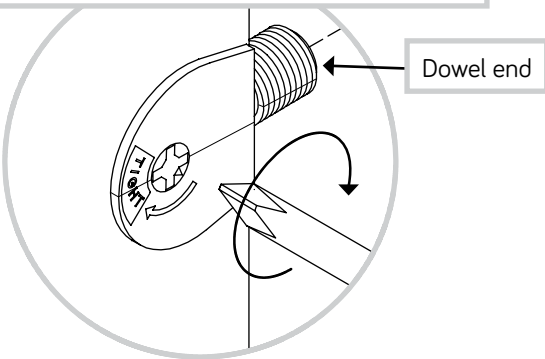
1. Push a TWIST-LOCK® FASTENER into the large hole in the part.



2. 1. Insert the dowel end of the FASTENER into the hole of the adjoining part.

NOTE: The dowel end of the FASTENER must remain fully inserted in the hole of the adjoining part while locking the FASTENER.

2. Tighten the FASTENER with a Phillips screwdriver as tight as possible.

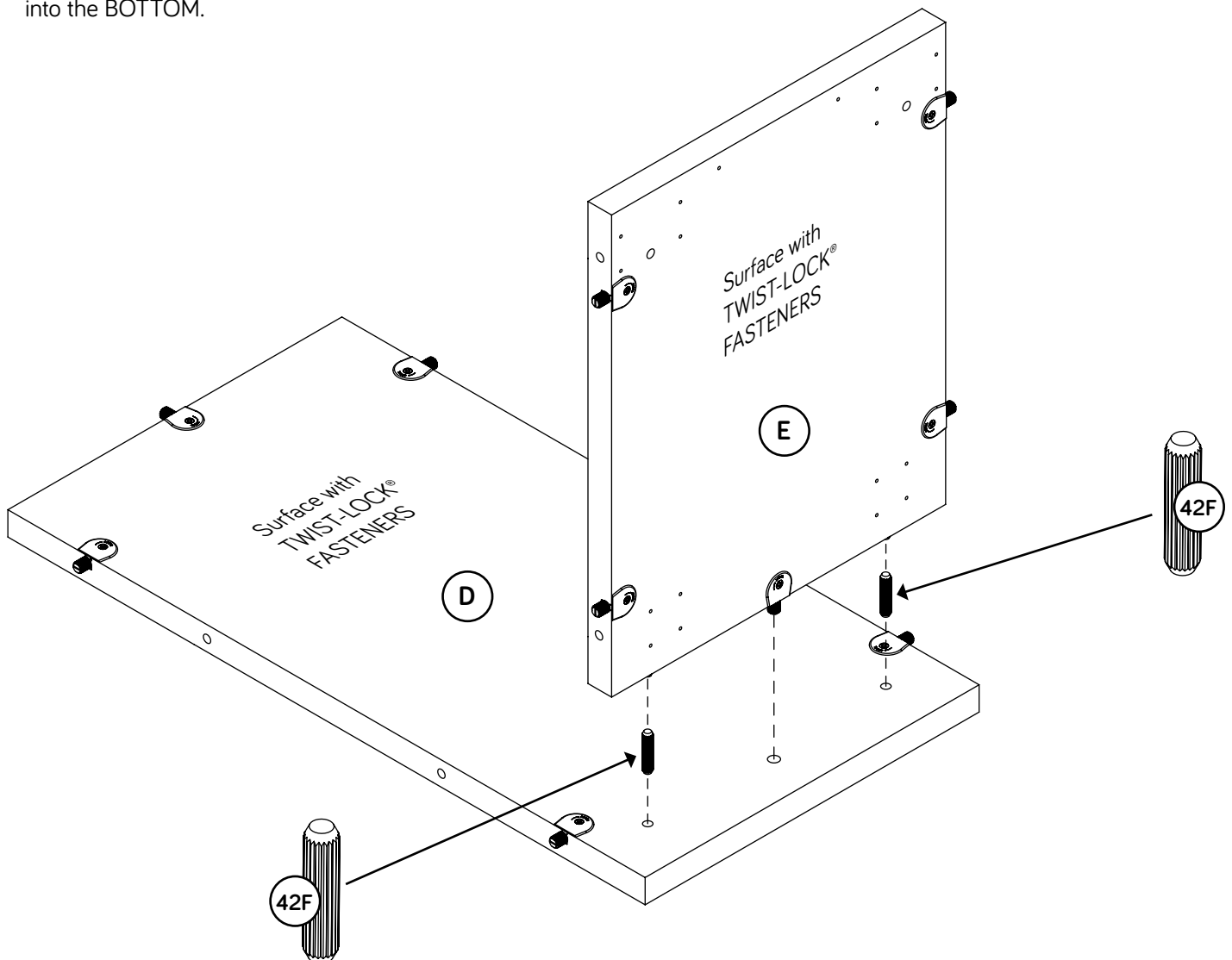


Step 1

- ✚ Assemble your unit on a carpeted floor or on the empty carton to avoid scratching your unit or the floor.
- ✚ Insert two WOOD DOWELS (42F) into the BACK (D).
- ✚ NOTE: You may need to gently tap the WOOD DOWEL in with your hammer.
- ✚ Fasten the BOTTOM (E) to the BACK (D). Tighten one TWIST-LOCK® FASTENER.
- ✚ NOTE: Be sure the WOOD DOWELS in the BACK insert into the BOTTOM.

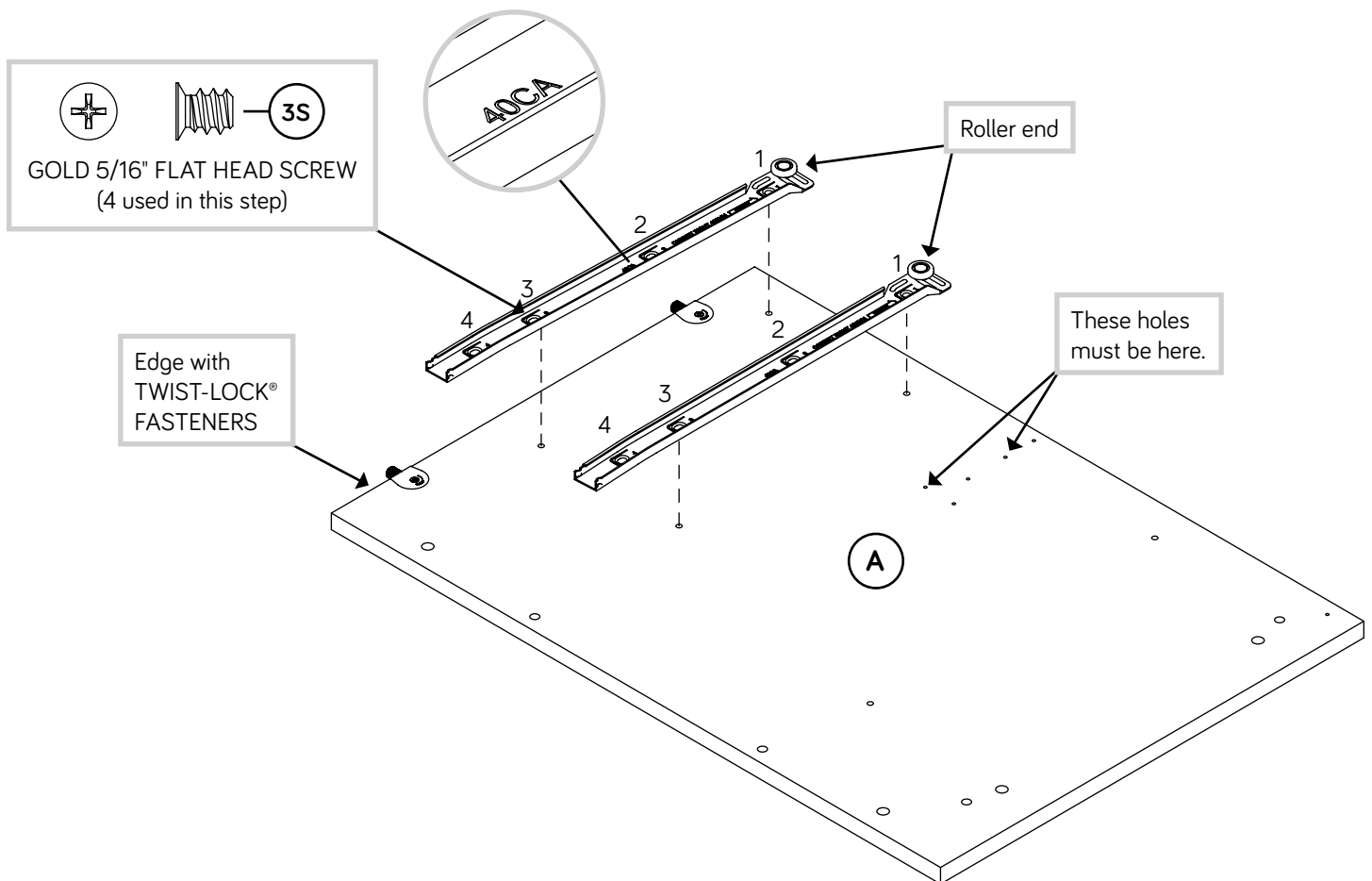


Some assembly
(and snacks) required.



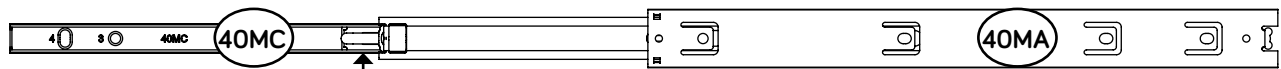
Step 2

- Fasten two CABINET RIGHTS (40CA) to the RIGHT END (A). Use four GOLD 5/16" FLAT HEAD SCREWS (3S) through holes #1 and #3.

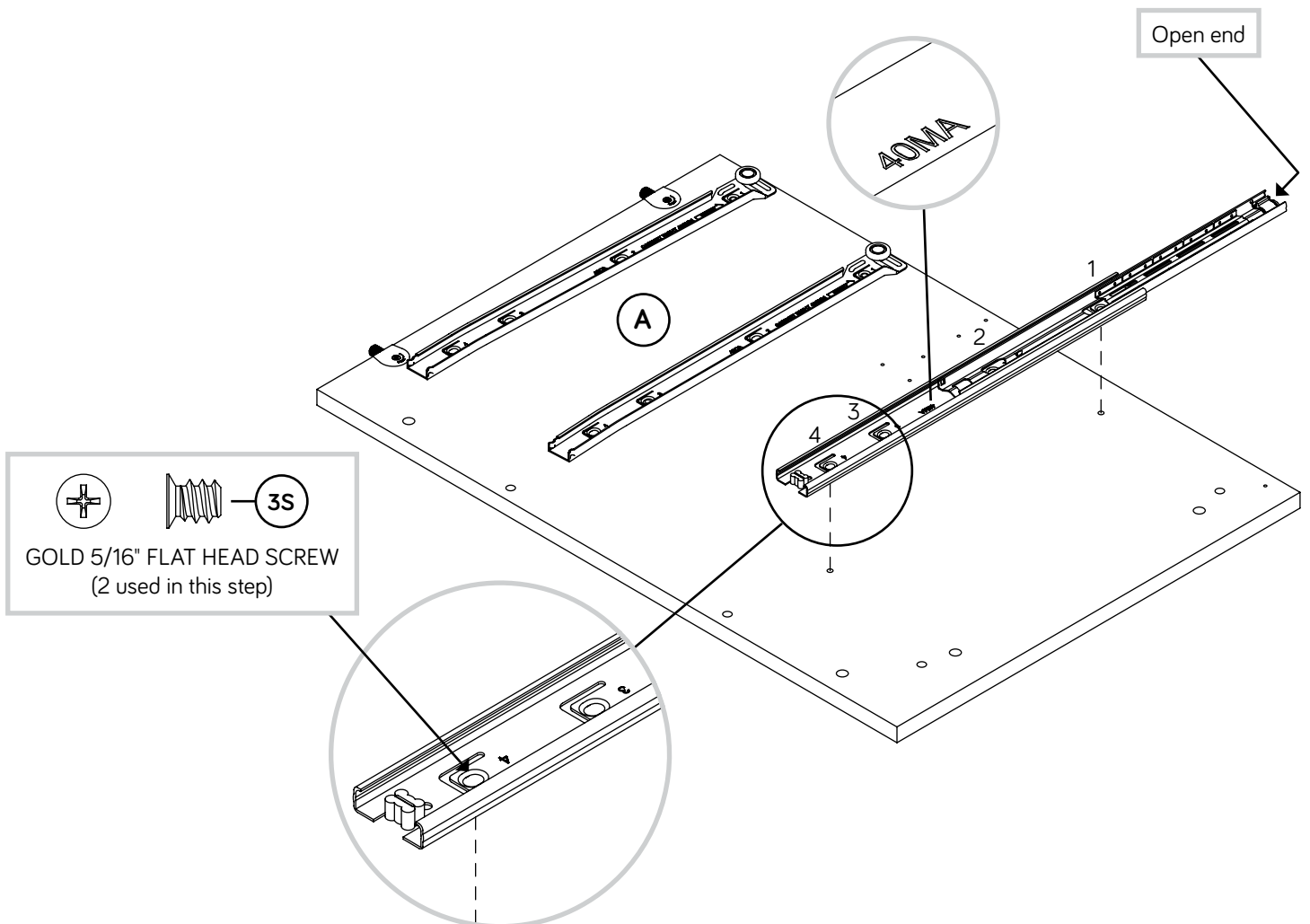


Step 3

- ✚ Separate the EXTENSION SLIDES (40MC) from the EXTENSION RAILS (40MA) as shown in the upper diagram below. Be prepared, the parts are greasy.
- ✚ Fasten one EXTENSION RAIL (40MA) to the RIGHT END (A). Use two GOLD 5/16" FLAT HEAD SCREWS (3S) through holes #1 and #4.
- ✚ NOTE: For each EXTENSION RAIL, turn a SCREW into the hole shown in the enlarged diagram. Then, slide the inner cartridge of the EXTENSION RAIL in to find the other hole that lines up with the hole in the END. Turn a SCREW into this hole.
- ✚ NOTE: The EXTENSION SLIDES will be used later for the LARGE DRAWER.

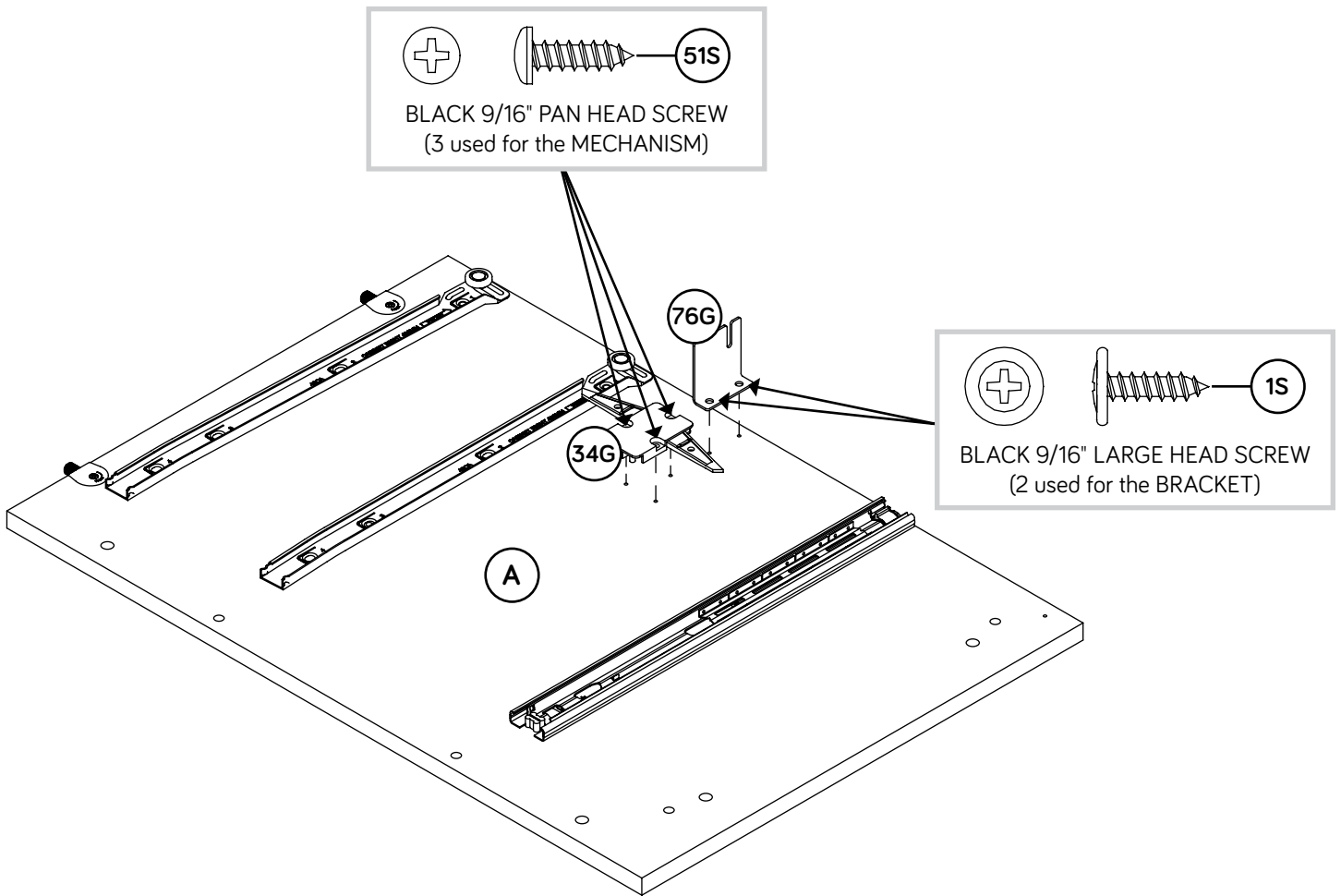


Push the black lever in and pull the SLIDE from the RAIL.



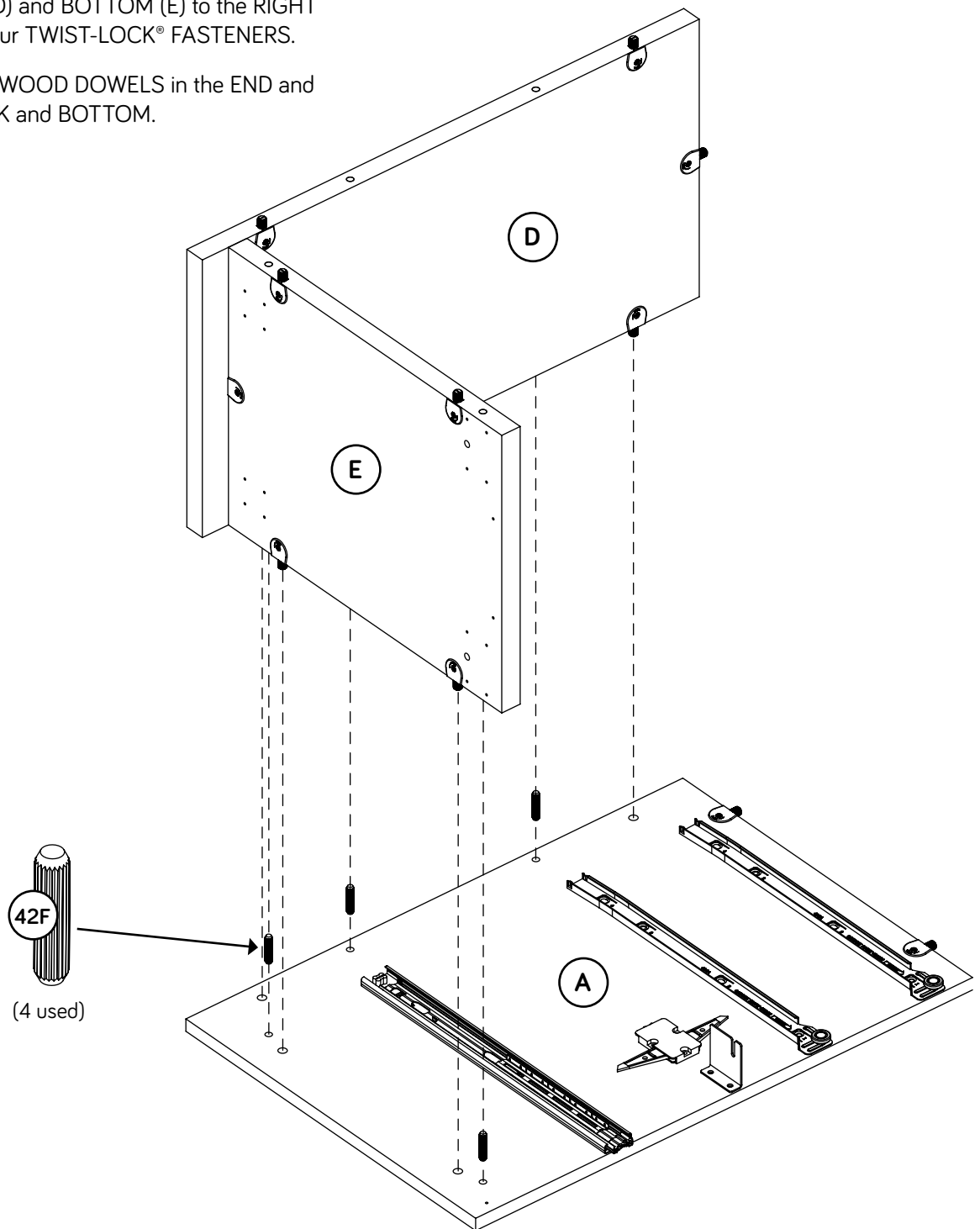
Step 4

- Fasten the INTERLOCK MECHANISM (34G) to the RIGHT END (A). Use three BLACK 9/16" PAN HEAD SCREWS (51S).
- Fasten the L-LOCK BRACKET (76G) to the RIGHT END (A) exactly as shown. Use two BLACK 9/16" LARGE HEAD SCREWS (1S).



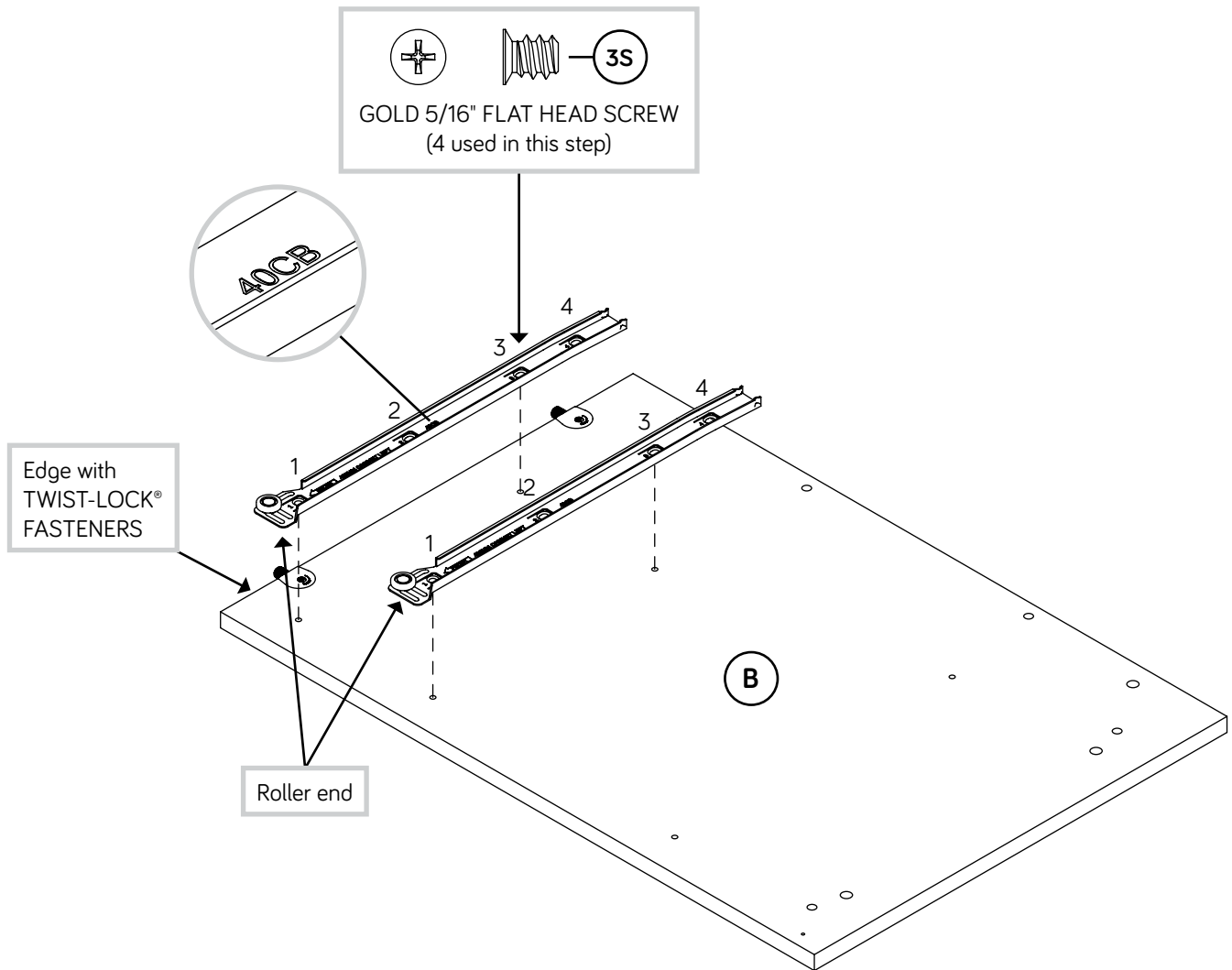
Step 5

- ✚ Insert four WOOD DOWELS (42F) into the RIGHT END (A).
- ✚ NOTE: You may need to gently tap the WOOD DOWEL in with your hammer.
- ✚ Fasten the BACK (D) and BOTTOM (E) to the RIGHT END (A). Tighten four TWIST-LOCK® FASTENERS.
- ✚ NOTE: Be sure the WOOD DOWELS in the END and insert into the BACK and BOTTOM.



Step 6

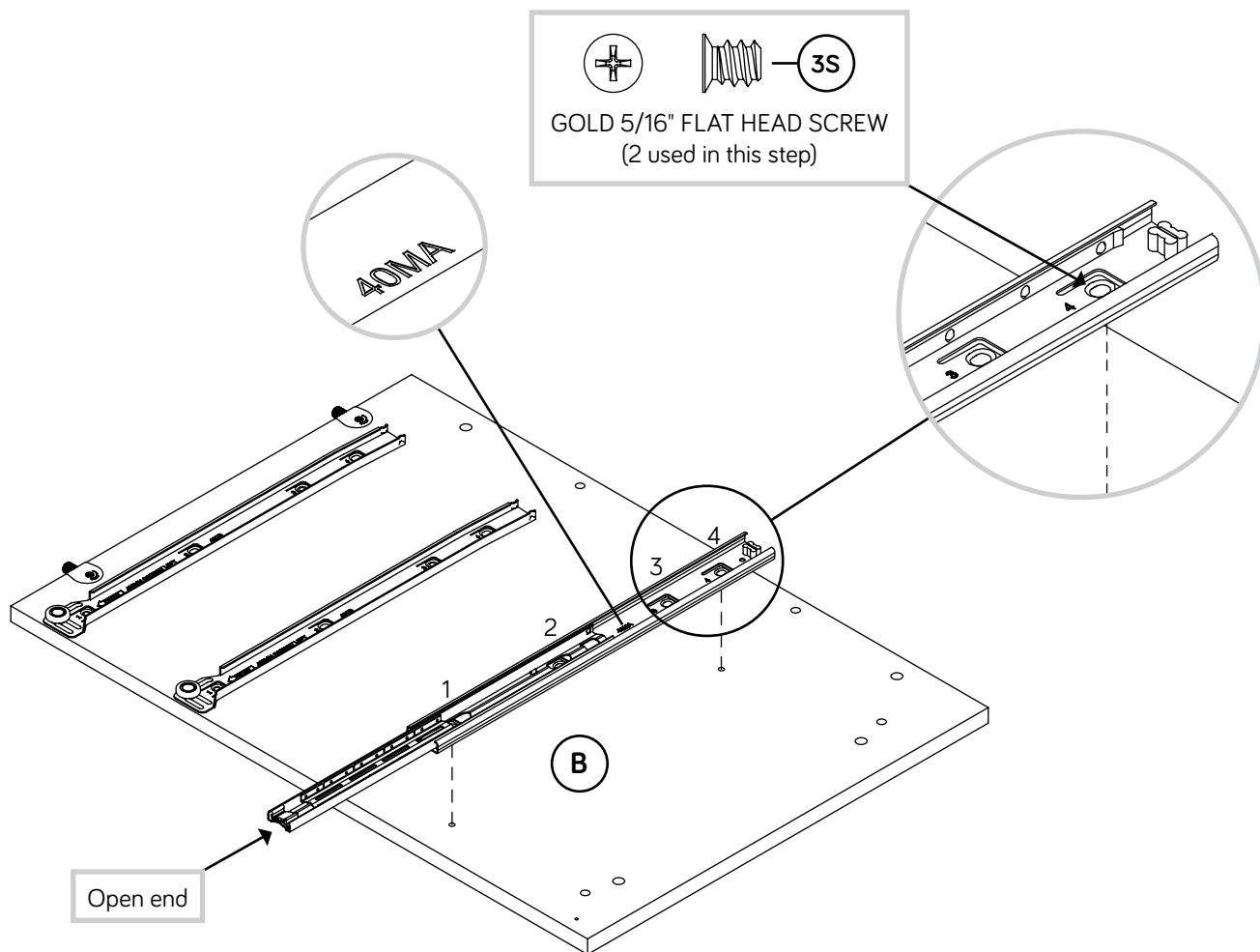
- Fasten two CABINET LEFTS (40CB) to the LEFT END (B). Use four GOLD 5/16" FLAT HEAD SCREWS (3S) through holes #1 and #3.



Step 7

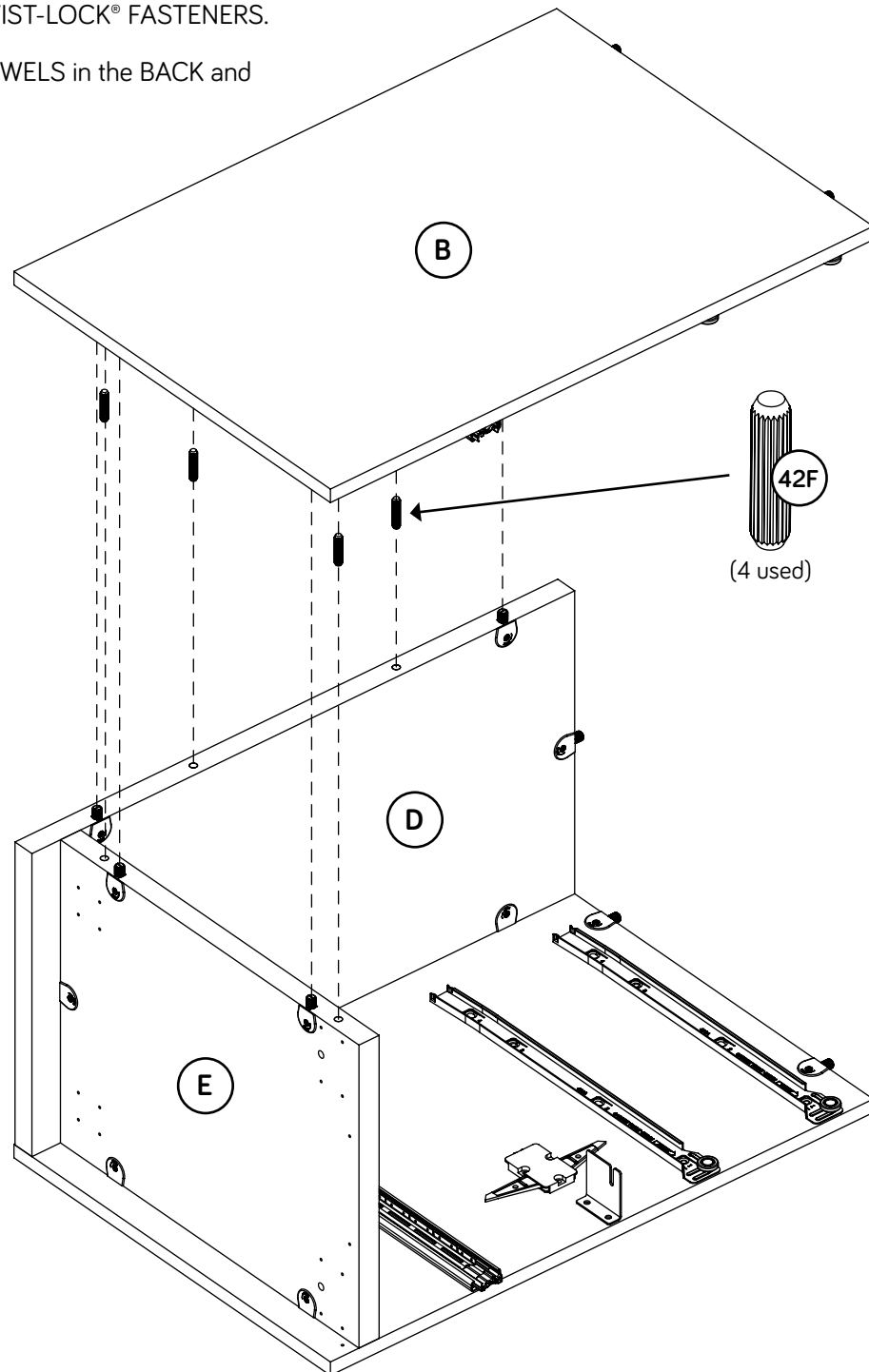
Fasten the remaining EXTENSION RAIL (40MA) to the LEFT END (B). Use two GOLD 5/16" FLAT HEAD SCREWS (3S) through holes #1 and #4.

NOTE: For each EXTENSION RAIL, turn a SCREW into the hole shown in the enlarged diagram. Then, slide the inner cartridge of the EXTENSION RAIL in to find the other hole that lines up with the hole in the END. Turn a SCREW into this hole.



Step 8

- ✚ Insert four WOOD DOWELS (42F) into the LEFT END (B).
- ✚ NOTE: You may need to gently tap the WOOD DOWEL in with your hammer.
- ✚ Fasten the LEFT END (B) to the BACK (D) and BOTTOM (E). Tighten four TWIST-LOCK® FASTENERS.
- ✚ NOTE: Be sure the WOOD DOWELS in the BACK and BOTTOM insert into the END.

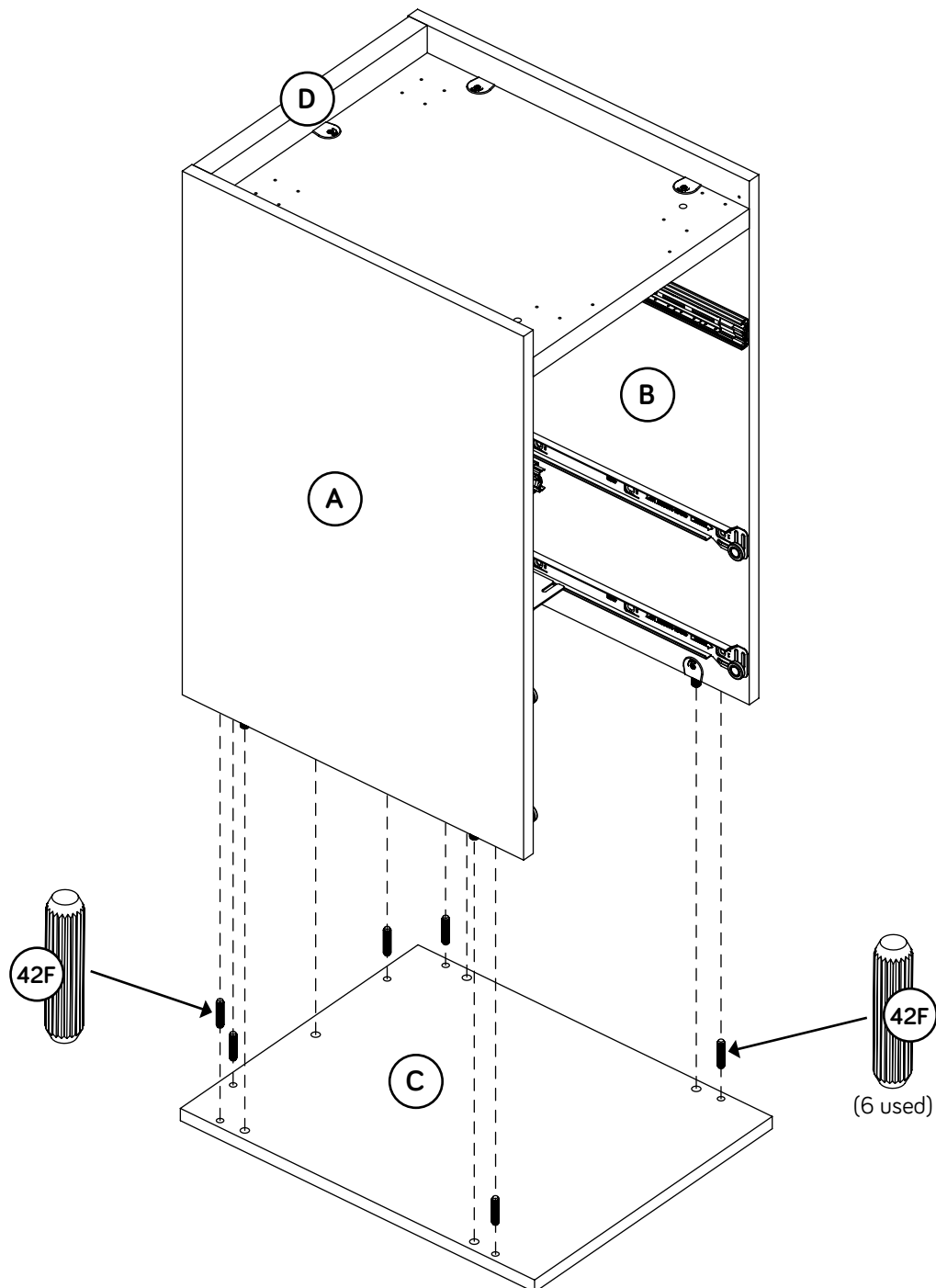


Step 9

- ✚ Insert six WOOD DOWELS (42F) into the TOP (C).
- ✚ **NOTE:** You may need to gently tap the WOOD DOWEL in with your hammer.
- ✚ Fasten the ENDS (A and B) and BACK (D) to the ENDS (A and B). Tighten five TWIST-LOCK® FASTENERS.
- ✚ **NOTE:** Be sure the WOOD DOWELS in the TOP insert into the ENDS and BACK.



Just think. The sooner you do this, the sooner you do something else.

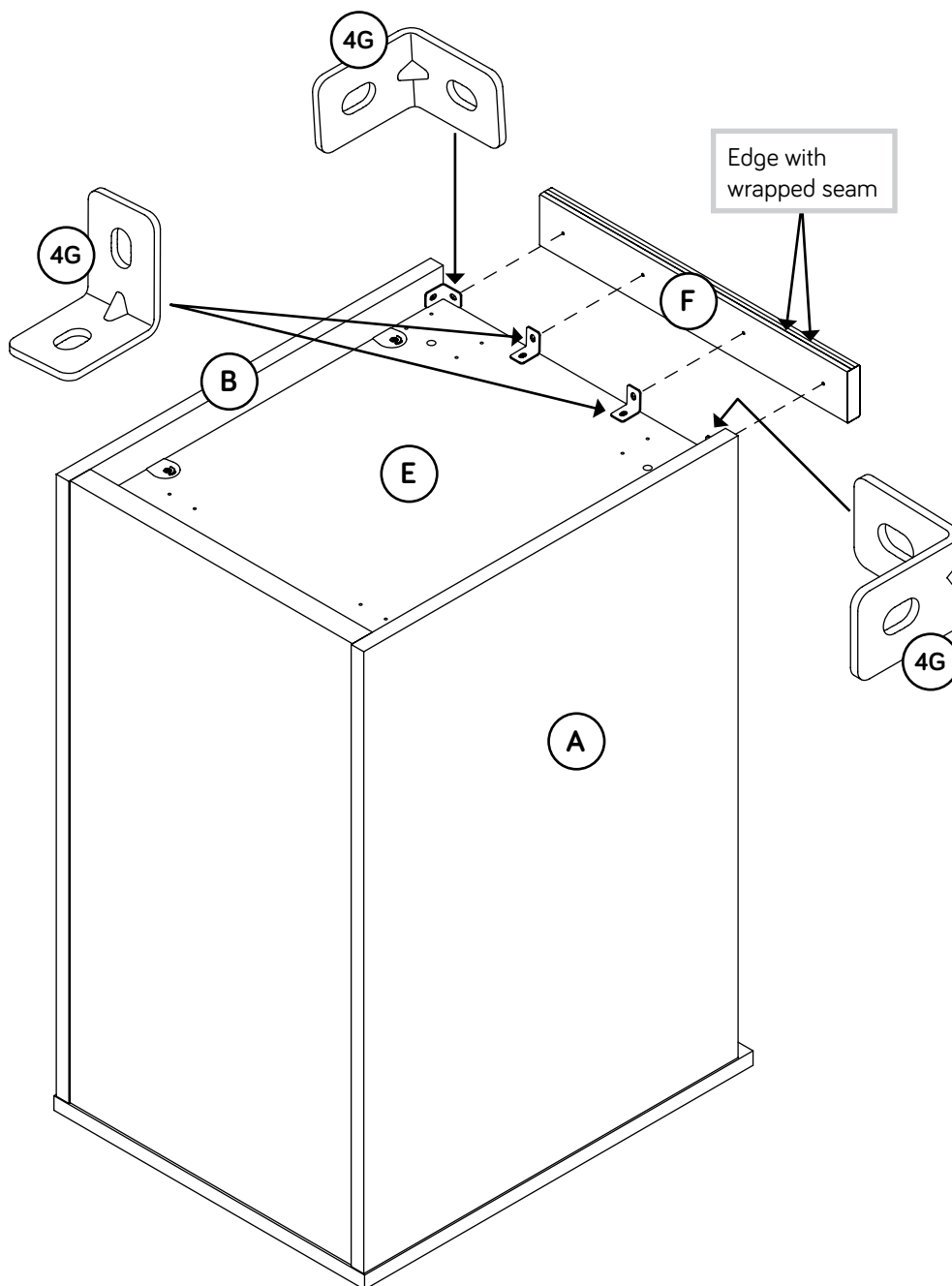
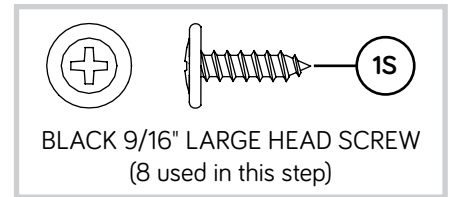


Step 10

Fasten four METAL BRACKETS (4G) to the ENDS (A and B) and BOTTOM (E). Use four BLACK 9/16" LARGE HEAD SCREWS (1S).

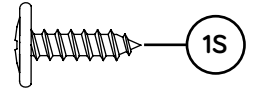
NOTE: Be sure the BRACKETS are even with the edges of the ENDS and BOTTOM.

Fasten the BASE (F) to the METAL BRACKETS on the ENDS and BOTTOM. Use four BLACK 9/16" LARGE HEAD SCREWS (1S).

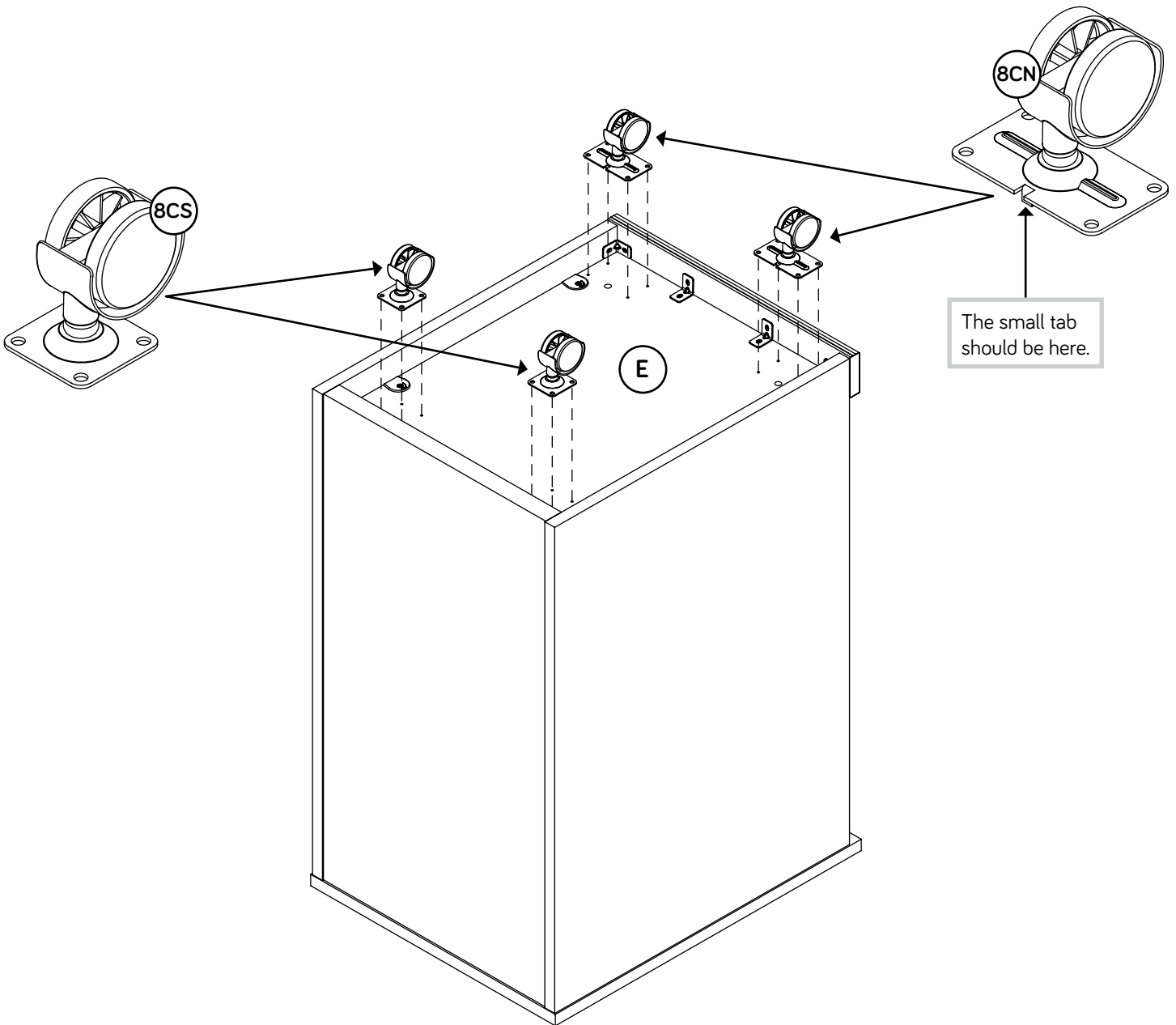


Step 11

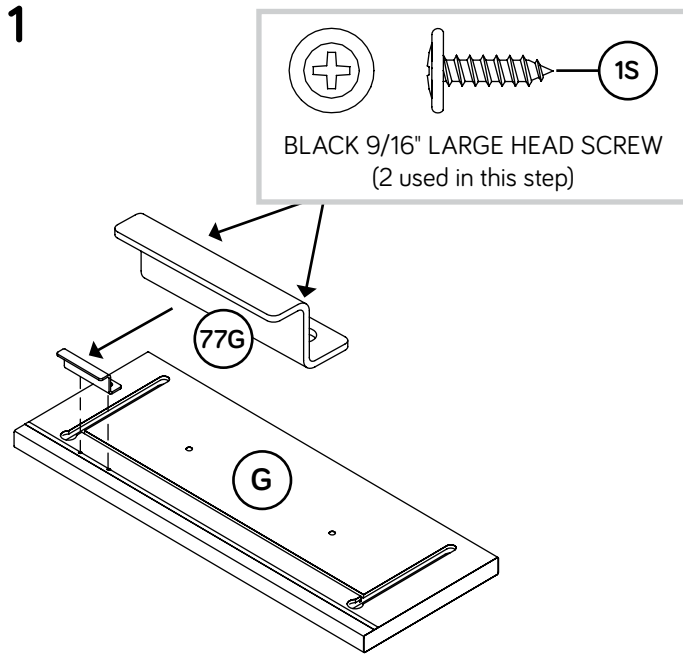
Fasten the CASTERS (8CN and 8CS) to the BOTTOM (E) exactly as shown. Use sixteen BLACK 9/16" LARGE HEAD SCREWS (1S).



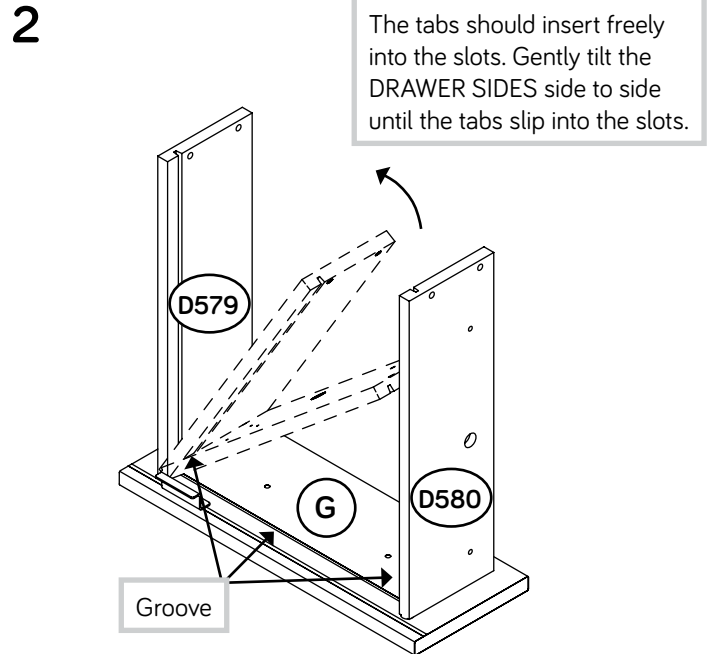
BLACK 9/16" LARGE HEAD SCREW
(16 used in this step)



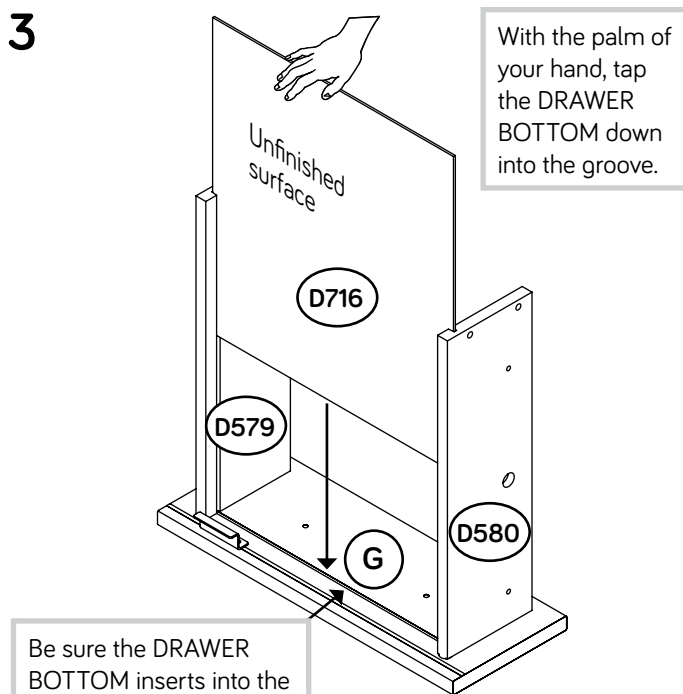
Step 12



- Fasten the Z-LOCK BRACKET (77G) to one of the DRAWER FRONTS (G). Use two BLACK 9/16" LARGE HEAD SCREWS (1S).

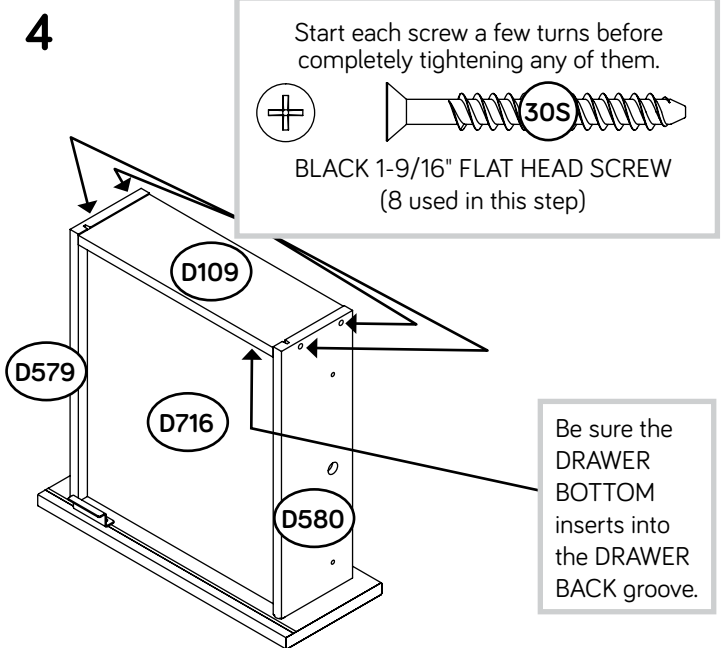


- Insert the DRAWER SIDES (D579 and D580) at an angle into the slot at each end of the DRAWER FRONT (G).



Be sure the DRAWER BOTTOM inserts into the DRAWER FRONT groove.

- Slide the DRAWER BOTTOM (D716) into the grooves in the DRAWER SIDES (D579 and D580) and DRAWER FRONT (G).



Be sure the DRAWER BOTTOM inserts into the DRAWER BACK groove.

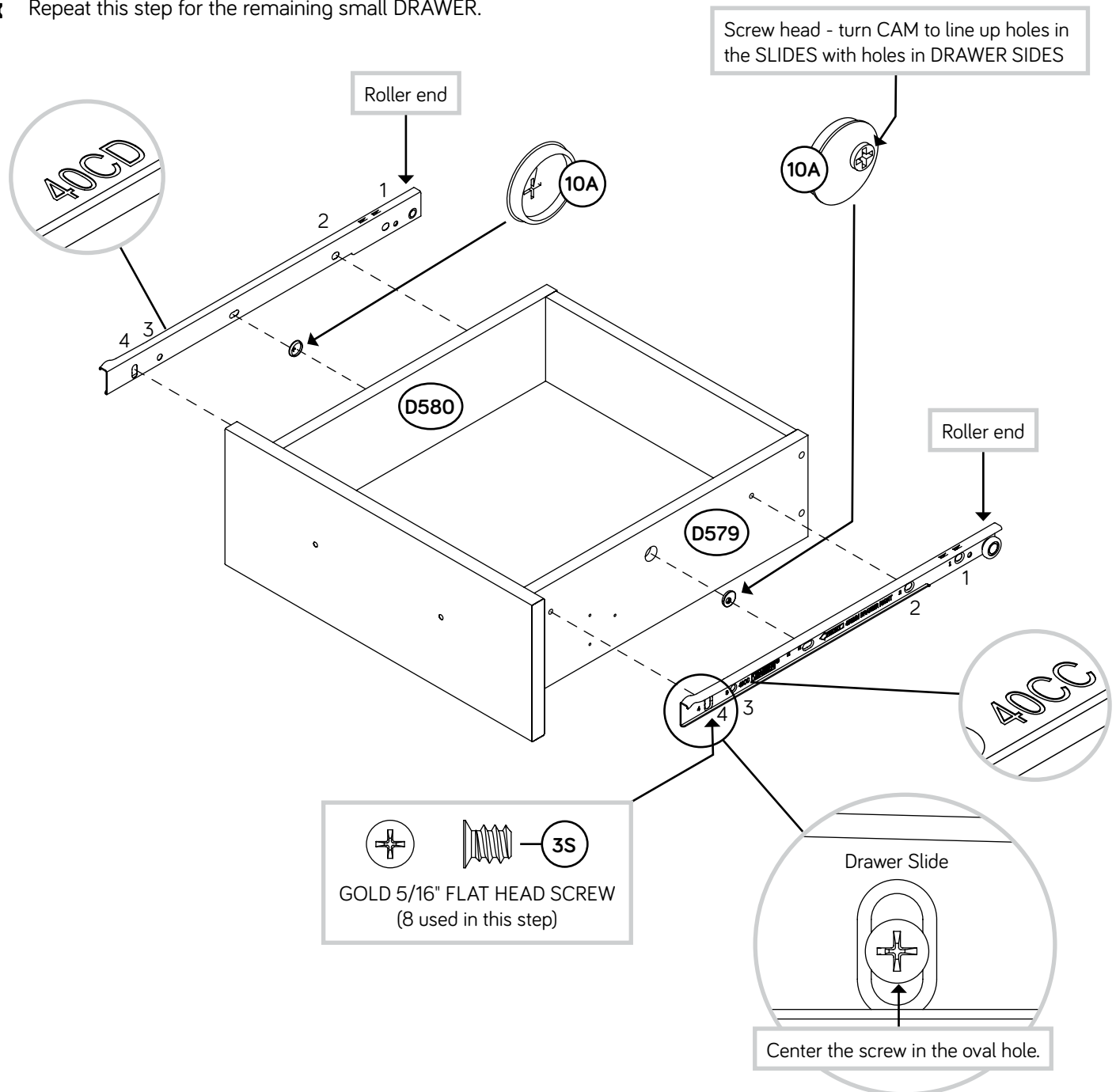
- Fasten the DRAWER BACK (D109) to the DRAWER SIDES (D579 and D580). Use four BLACK 1-9/16" FLAT HEAD SCREWS (30S).

NOTE: Be sure the DRAWER BOTTOM (D716) inserts into the groove of the DRAWER BACK (D109).

- Repeat this step for the remaining small DRAWER.

Step 13

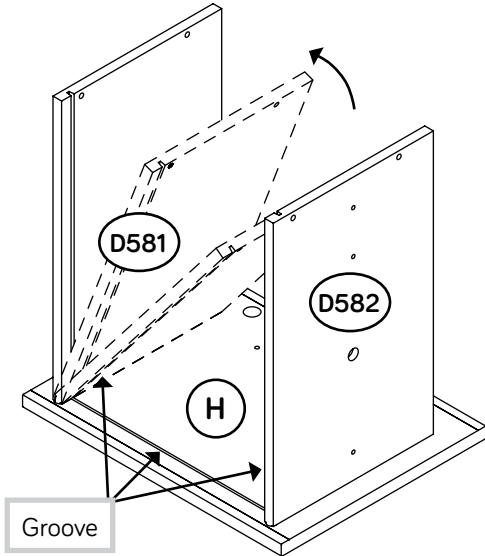
- ✚ Insert a SLIDE CAM (10A) into each DRAWER SIDE (D579 and D580).
- ✚ Fasten the DRAWER RIGHT (40CC) to the RIGHT DRAWER SIDE (D579) and the DRAWER LEFT (40CD) to the LEFT DRAWER SIDE (D580). Use four GOLD 5/16" FLAT HEAD SCREWS (3S) through holes #2 and #4.
- ✚ **NOTE:** The screw head in the CAM must be visible through the slotted hole in the SLIDE.
- ✚ Repeat this step for the remaining small DRAWER.



Step 14

1

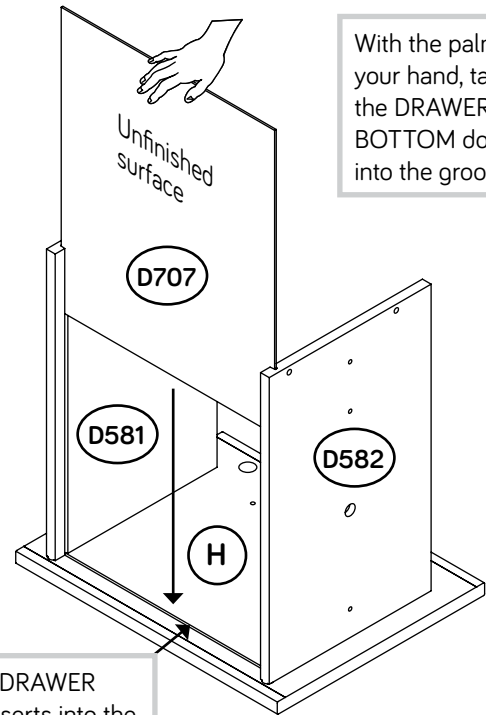
The tabs should insert freely into the slots. Gently tilt the DRAWER SIDES side to side until the tabs slip into the slots.



- Insert the LARGE DRAWER SIDES (D581 and D582) at an angle into the slot at each end of the LOCKING DRAWER FRONT (H).

2

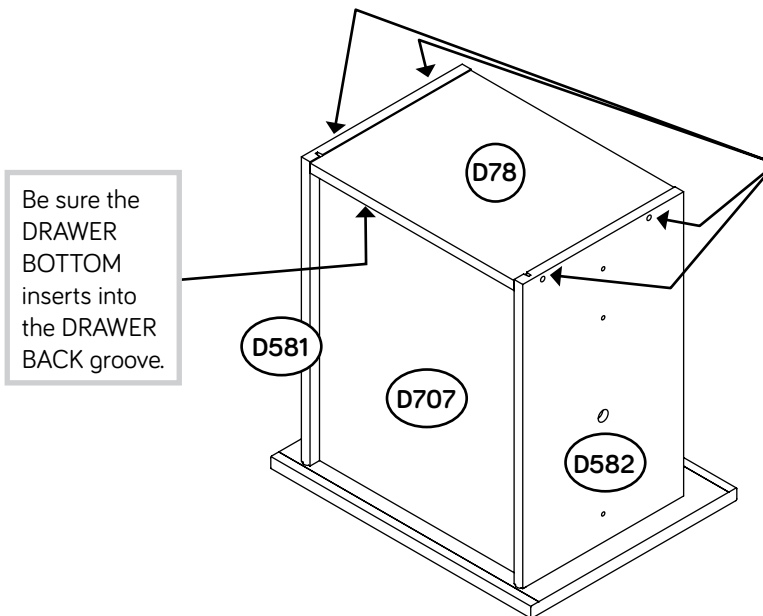
With the palm of your hand, tap the DRAWER BOTTOM down into the groove.



Be sure the DRAWER BOTTOM inserts into the DRAWER FRONT groove.

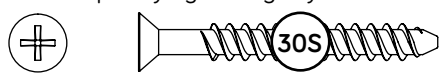
- Slide the LARGE DRAWER BOTTOM (D707) into the grooves in the LARGE DRAWER SIDES (D581 and D582) and LOCKING DRAWER FRONT (H).

3



Be sure the DRAWER BOTTOM inserts into the DRAWER BACK groove.

Start each screw a few turns before completely tightening any of them.



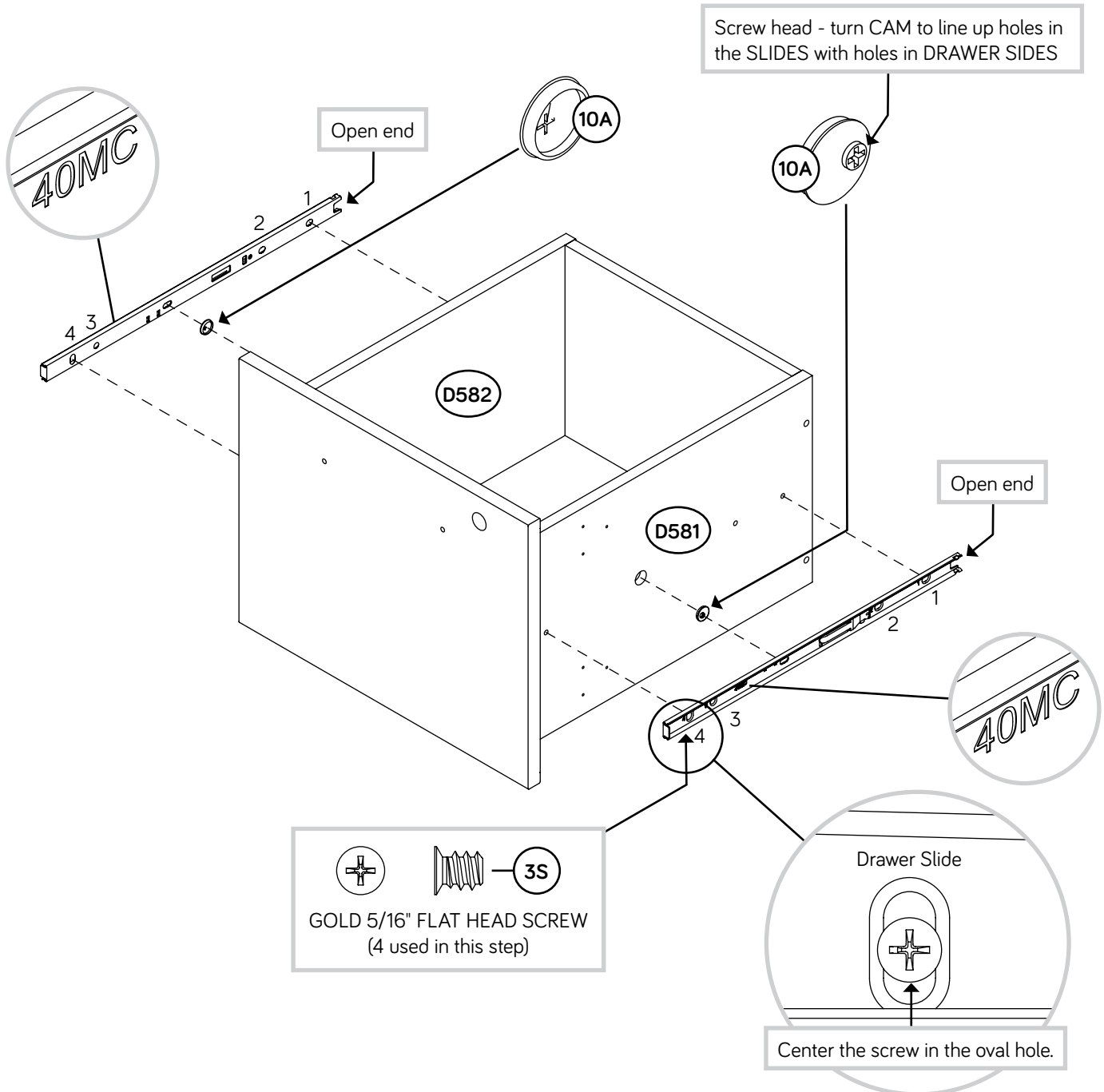
BLACK 1-9/16" FLAT HEAD SCREW (4 used in this step)

- Fasten the LARGE DRAWER BACK (D78) to the LARGE DRAWER SIDES (D581 and D582). Use four BLACK 1-9/16" FLAT HEAD SCREWS (30S).

NOTE: Be sure the DRAWER BOTTOM (D707) inserts into the groove of the DRAWER BACK (D78).

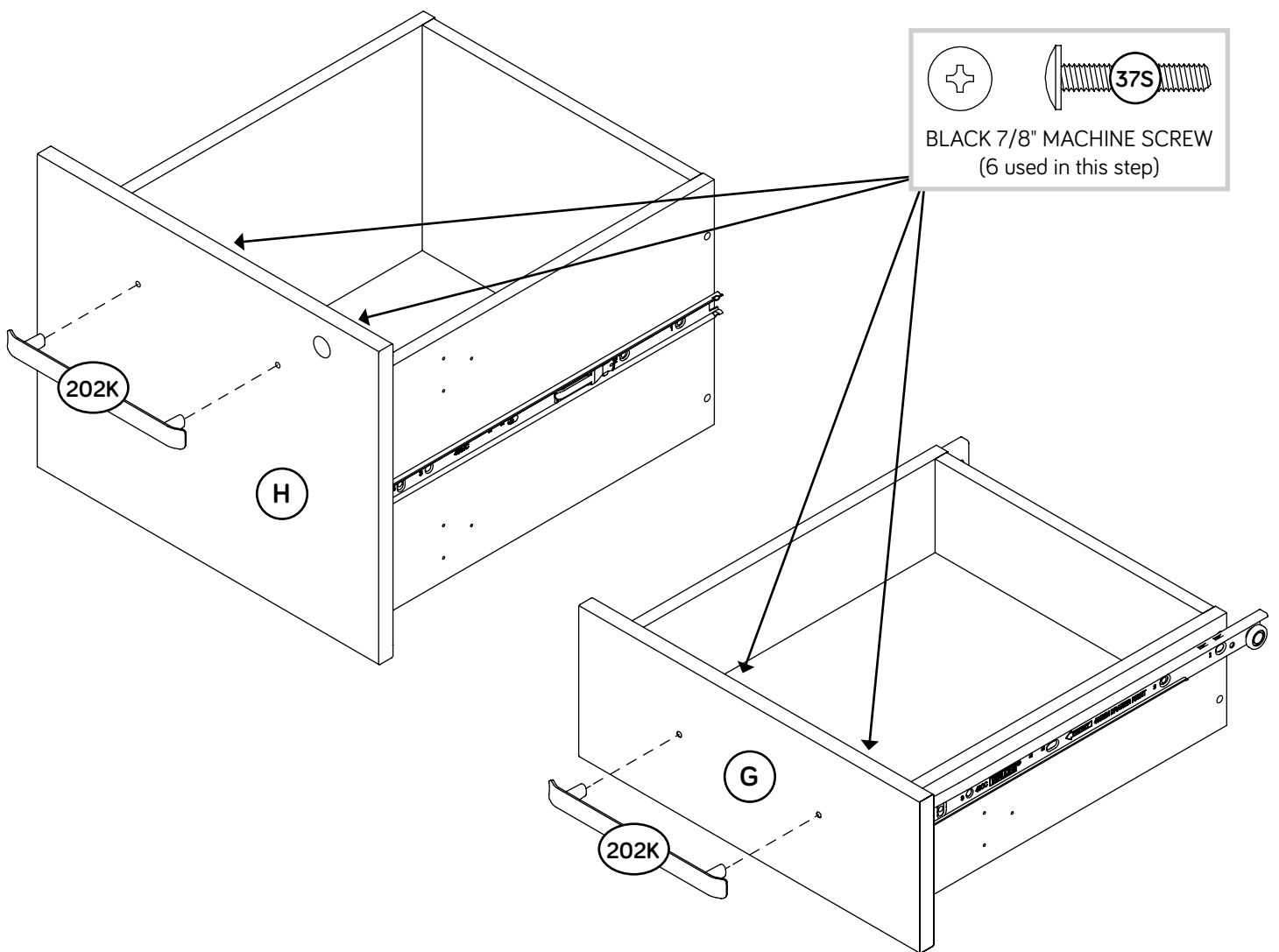
Step 15

- ✚ Insert a SLIDE CAM (10A) into each LARGE DRAWER SIDE (D581 and D582).
- ✚ Fasten two EXTENSION SLIDES (40MC) to the LARGE DRAWER SIDES (D581 and D582).
Use four GOLD 5/16" FLAT HEAD SCREWS (3S) through holes #1 and #4.
- ✚ NOTE: The screw head in the CAM must be visible through the slotted hole in the SLIDE.



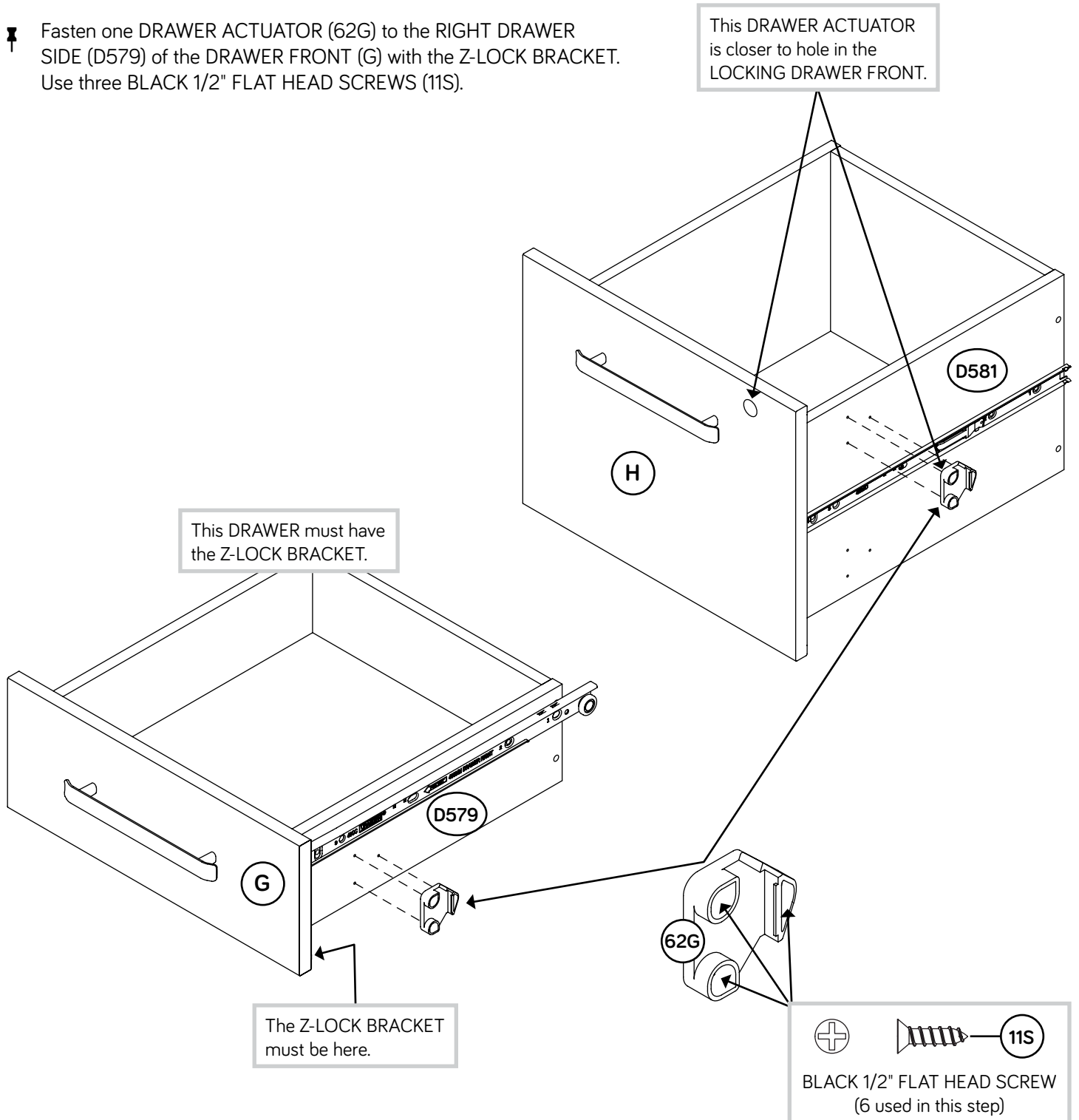
Step 16

- ✚ Fasten one PULL (202K) to the LOCKING DRAWER FRONT (H). Use two BLACK 7/8" MACHINE SCREWS (37S).
- ✚ Fasten one PULL (202K) to one of the DRAWER FRONTS (G). Use two BLACK 7/8" MACHINE SCREWS (37S).
- ✚ Repeat this step for the remaining small DRAWER.



Step 17

- Fasten one DRAWER ACTUATOR (62G) to the LARGE RIGHT DRAWER SIDE (D581) of the LOCKING DRAWER FRONT (H) exactly as shown. Use three BLACK 1/2" FLAT HEAD SCREWS (11S).
- Fasten one DRAWER ACTUATOR (62G) to the RIGHT DRAWER SIDE (D579) of the DRAWER FRONT (G) with the Z-LOCK BRACKET. Use three BLACK 1/2" FLAT HEAD SCREWS (11S).

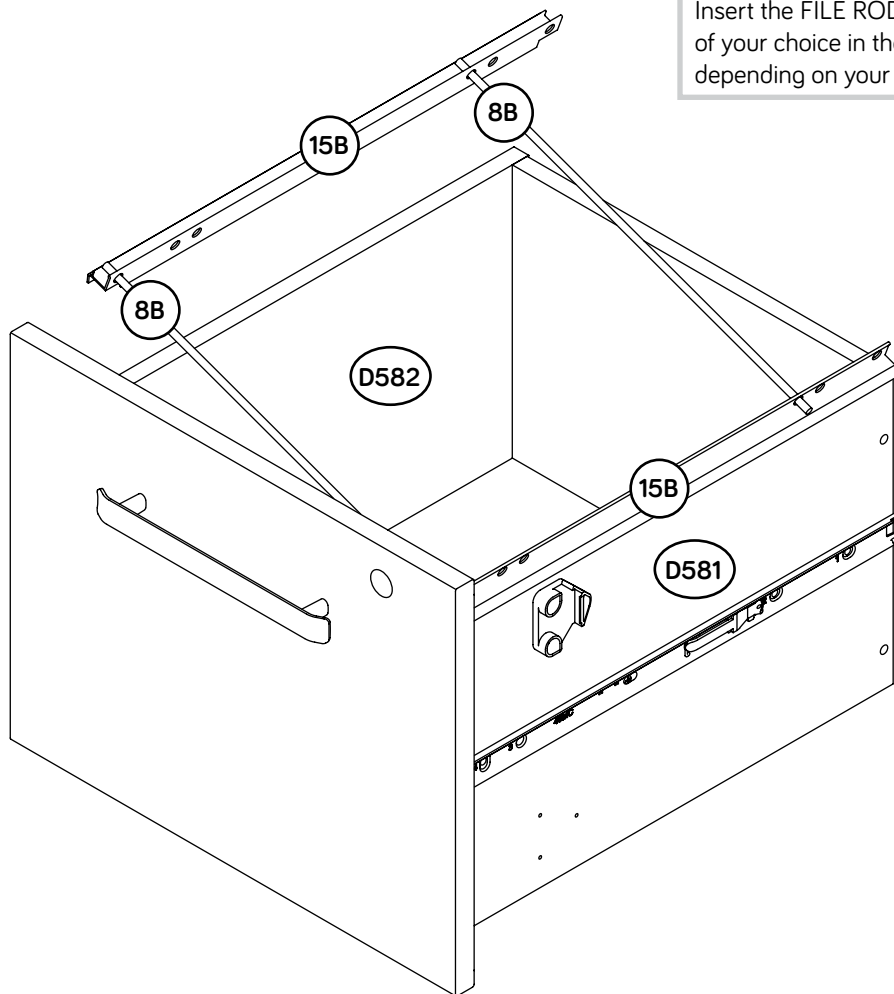


Step 18

- ✚ Push a FILE GLIDE (15B) onto the LARGE RIGHT DRAWER SIDE (D581).
- ✚ Slide the FILE RODS (8B) into the FILE GLIDE (15B) on the LARGE RIGHT DRAWER SIDE.
- ✚ Slide another FILE GLIDE (15B) onto the other end of the FILE RODS (8B), then press this FILE GLIDE over the LARGE LEFT DRAWER SIDE (D582).



Almost time to celebrate! With a nap.



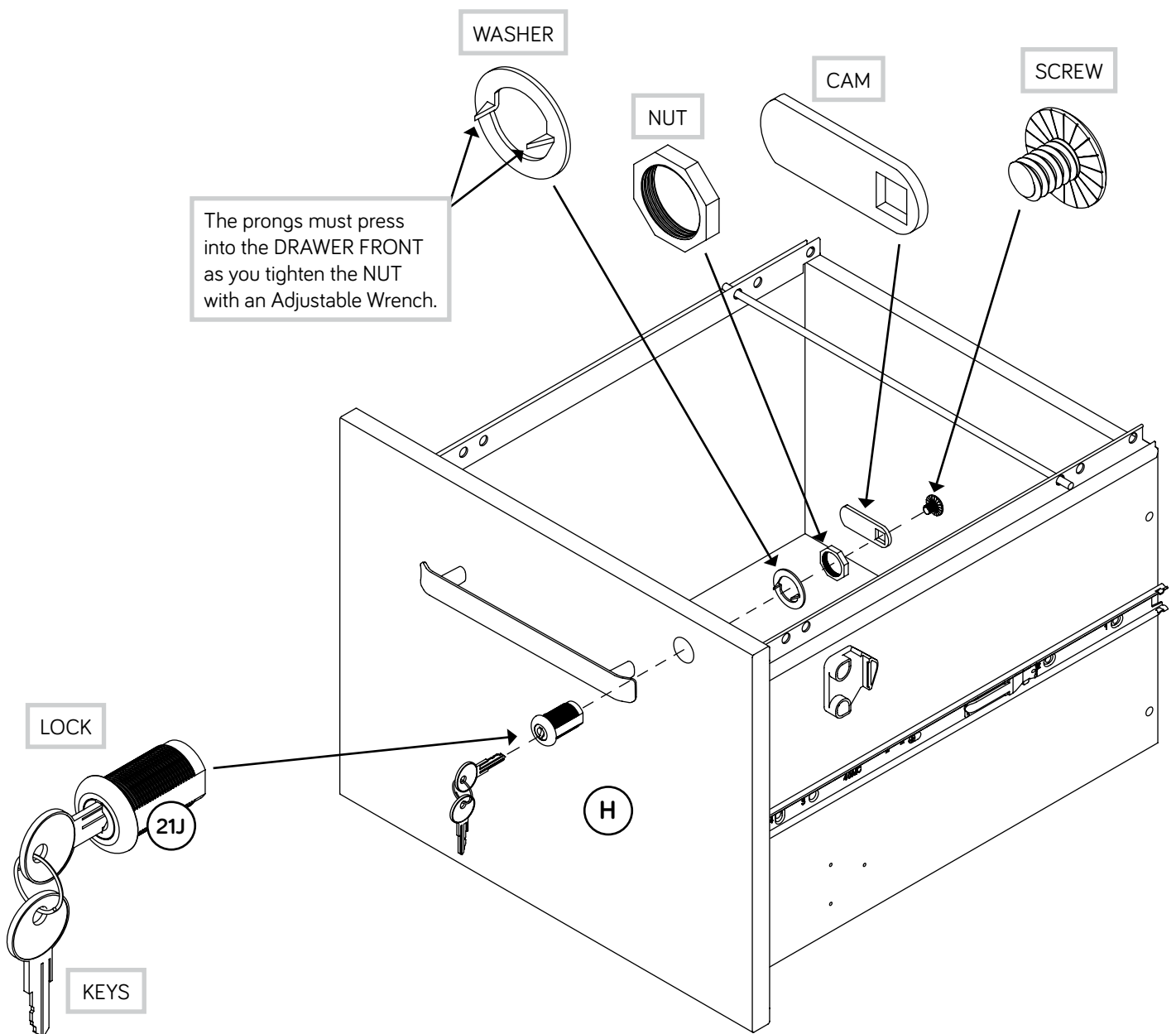
Insert the FILE RODS into the holes of your choice in the FILE GLIDES, depending on your file sizes.

Step 19

✚ Fasten the LOCK PACK (21J) to the LOCKING DRAWER FRONT (H) in the exact order shown.

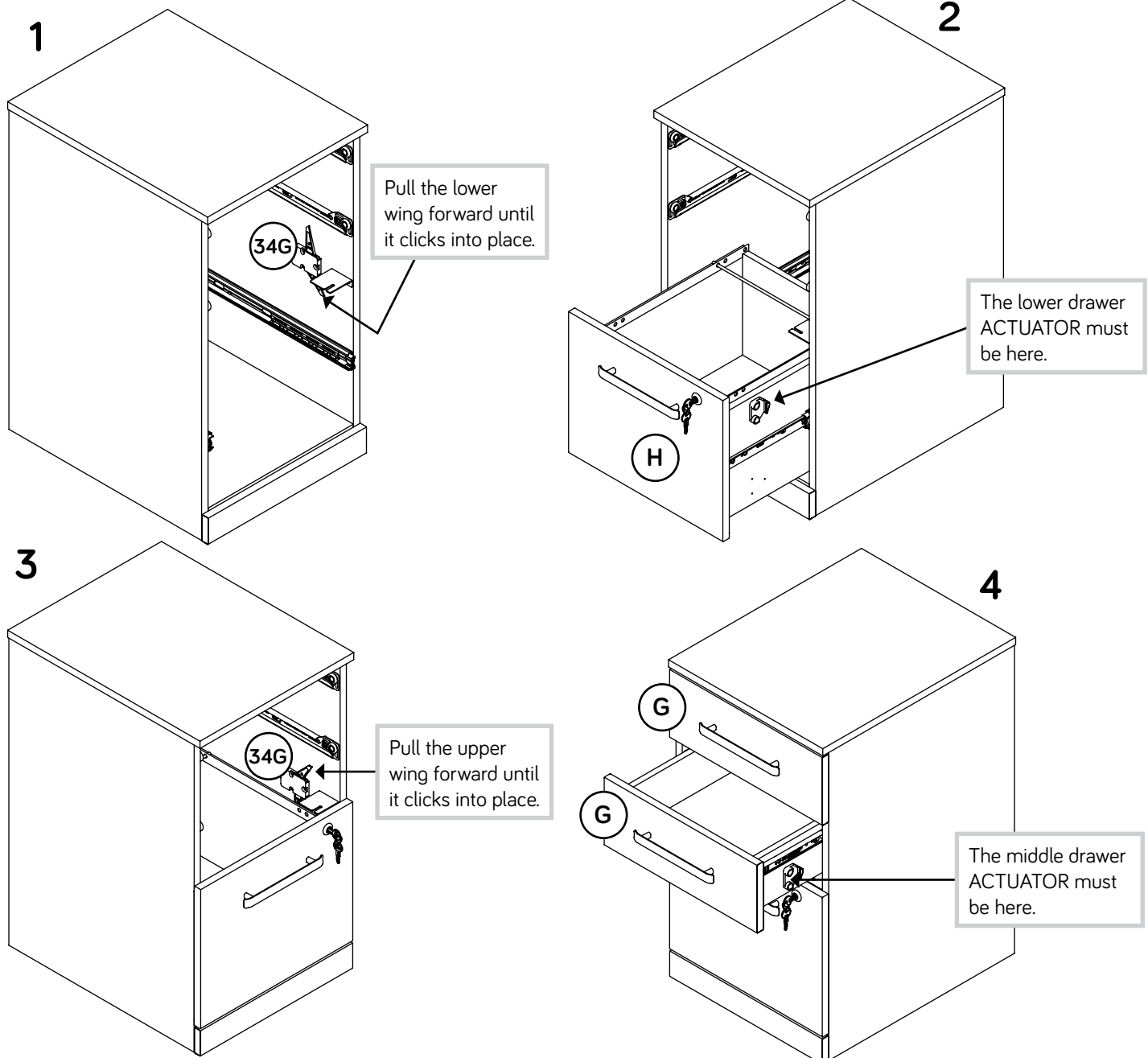
✚ NOTE: It is important to position the CAM exactly as shown.

✚ NOTE: Turn the KEY to the right to lock.



Step 20

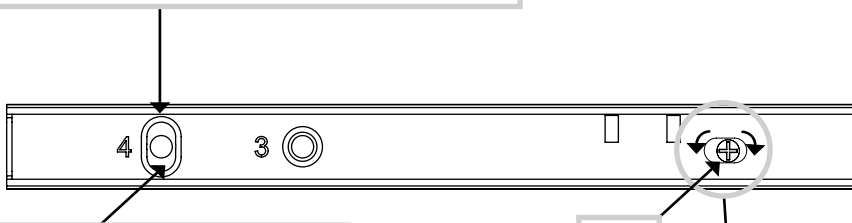
- ✦ Carefully stand your unit upright.
- ✦ Diagram 1 - Pull the lower wing of the INTERLOCK MECHANISM (34G) forward until it clicks into place.
- ✦ Diagram 2 - To insert the LOCKING DRAWER (H) into your unit, line up the EXTENSION SLIDES on the drawer with the EXTENSION RAILS on the unit and push the drawer into the unit until it is fully inserted.
- ✦ Diagram 3 - Pull the upper wing of the INTERLOCK MECHANISM (34G) forward until it clicks into place.
- ✦ Diagram 4 - To insert the DRAWER (G) with the DRAWER ACTUATOR into your unit, tip the front of the drawer down and drop the rollers on the drawer behind the rollers on the unit. Lift the front of the drawer up and slide it into the unit. Repeat this step to insert the remaining DRAWER (G).



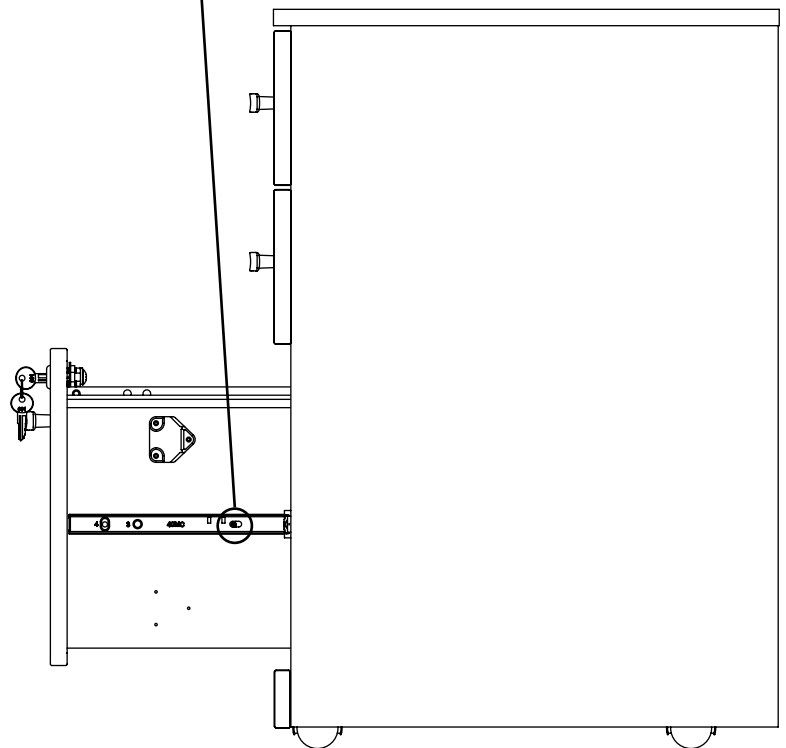
Step 21

- To make adjustments to the drawer, loosen SCREW #4 in the SLIDES a 1/4 turn, then turn the cam clockwise or counter-clockwise. Notice how the drawer raises or lowers as you turn the cam. By adjusting the drawer this way, it will help the DRAWER FRONT line up better when closed. Tighten the SCREWS when finished with adjustments.

Loosen screw #4 a 1/4 turn, turn the cam a 1/4 turn maximum in both the clockwise and counter-clockwise directions to make adjustments, and then tighten screw #4.



The higher the screw in the oblong hole, the higher your drawer front will be. The lower the screw, the lower the drawer front.



Step 22

- ✦ For long-term care and maintenance of your unit, you may touch up the edges with the TOUCH-UP PEN (10M).
- ✦ **NOTE:** Please read the back pages of the instruction booklet for important safety information.
- ✦ This completes assembly. Clean with a damp cloth. Wipe dry.

