

2-Shelf Bookcase

Hudson Elm finish | **Model 5431916**

NOTE: THIS INSTRUCTION BOOKLET CONTAINS **IMPORTANT** SAFETY INFORMATION.

PLEASE READ AND KEEP FOR FUTURE REFERENCE.

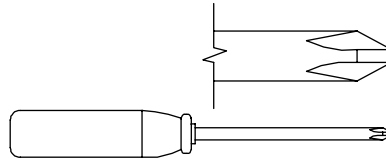
English pg 1-16
Français pg 17-18
Español pg 19-20

Lot # **573596**

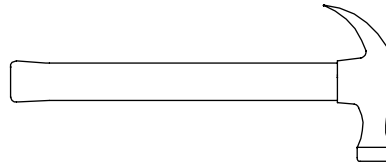
11/23/21

Purchased: _____

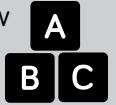
Part Identification	3
Hardware Identification	4
Hardware Usage Guide	5
Assembly Steps	5-16
Français	17-18
Español	19-20
Safety	21-22
Warranty	23



No. 2 Phillips Screwdriver
Tip Shown Actual Size

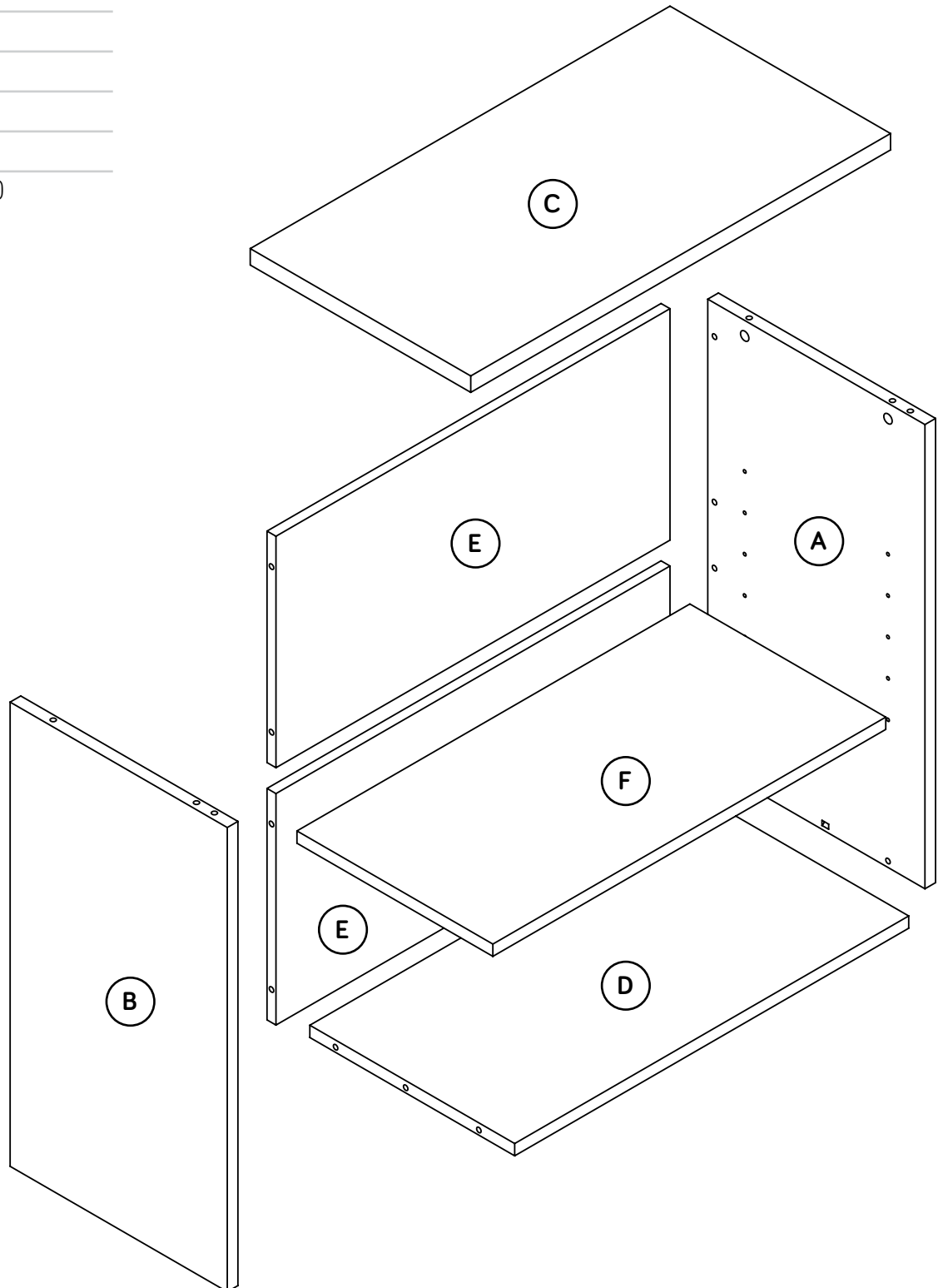


Hammer
Not actual size 😊



⚠ While not all parts are labeled, some of the parts will have a label or an inked letter on the edge to help distinguish similar parts from each other. Use this part identification to help identify similar parts.

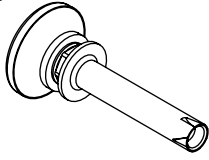
A	RIGHT END (1)
B	LEFT END (1)
C	TOP (1)
D	BOTTOM (1)
E	BACK (2)
F	ADJUSTABLE SHELF (1)



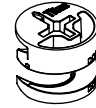
Hardware Identification

† Screws are shown actual size. You may receive extra hardware with your unit.

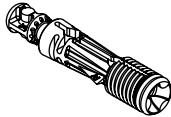
46E LEVELER - 4



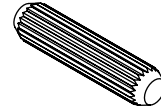
1F HIDDEN CAM - 16



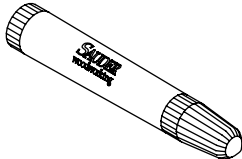
2F CAM DOWEL - 16



42F WOOD DOWEL - 4



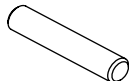
9M TOUCH-UP PEN - 1



129P CAM COVER - 12



1R METAL PIN - 4

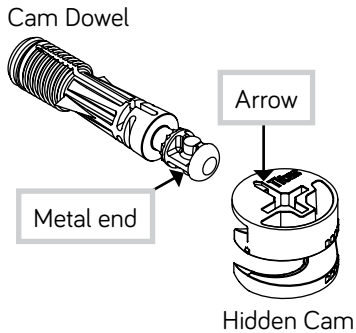


2R RUBBER SLEEVE - 4



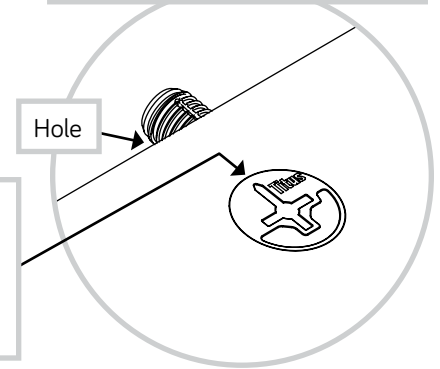
Hardware Usage Guide

HOW TO USE A HIDDEN CAM & CAM DOWEL

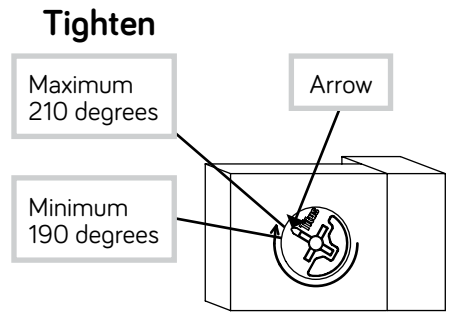
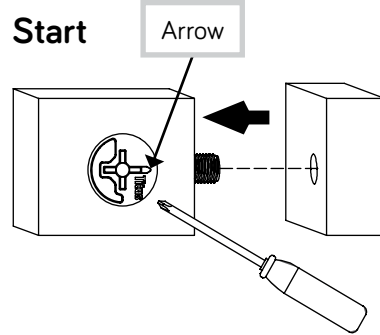


2. Insert the metal end of the CAM DOWEL into the HIDDEN CAM.

1. Push a HIDDEN CAM into the part. The arrow in the HIDDEN CAM must point toward the hole in the edge of the board.



3. **Caution**
 Risk of damage or injury. HIDDEN CAMS must be completely tightened. HIDDEN CAMS that are not completely tightened may loosen, and parts may separate. To completely tighten:

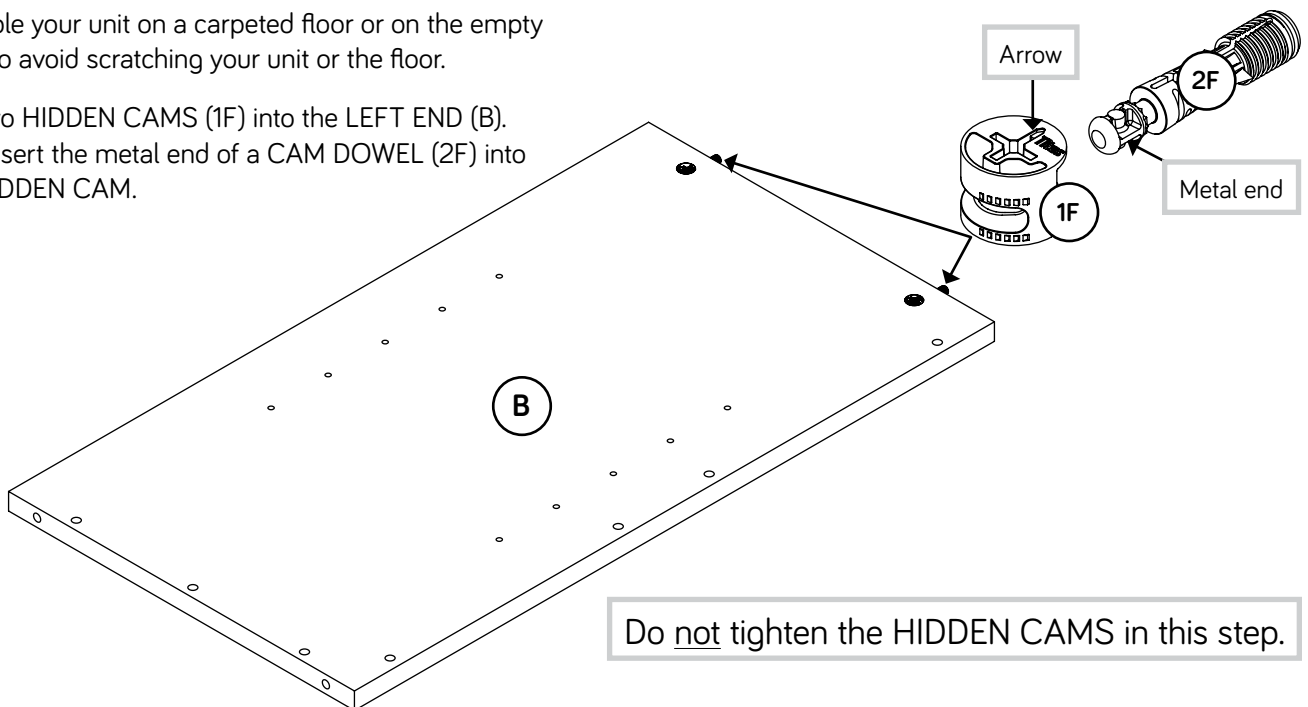


Step 1

Look for this icon. It means a video assembly tip is available at www.sauder.com/service/tips. Find the numbered video or scan the QR code.



- Assemble your unit on a carpeted floor or on the empty carton to avoid scratching your unit or the floor.
- Push two HIDDEN CAMS (1F) into the LEFT END (B). Then, insert the metal end of a CAM DOWEL (2F) into each HIDDEN CAM.



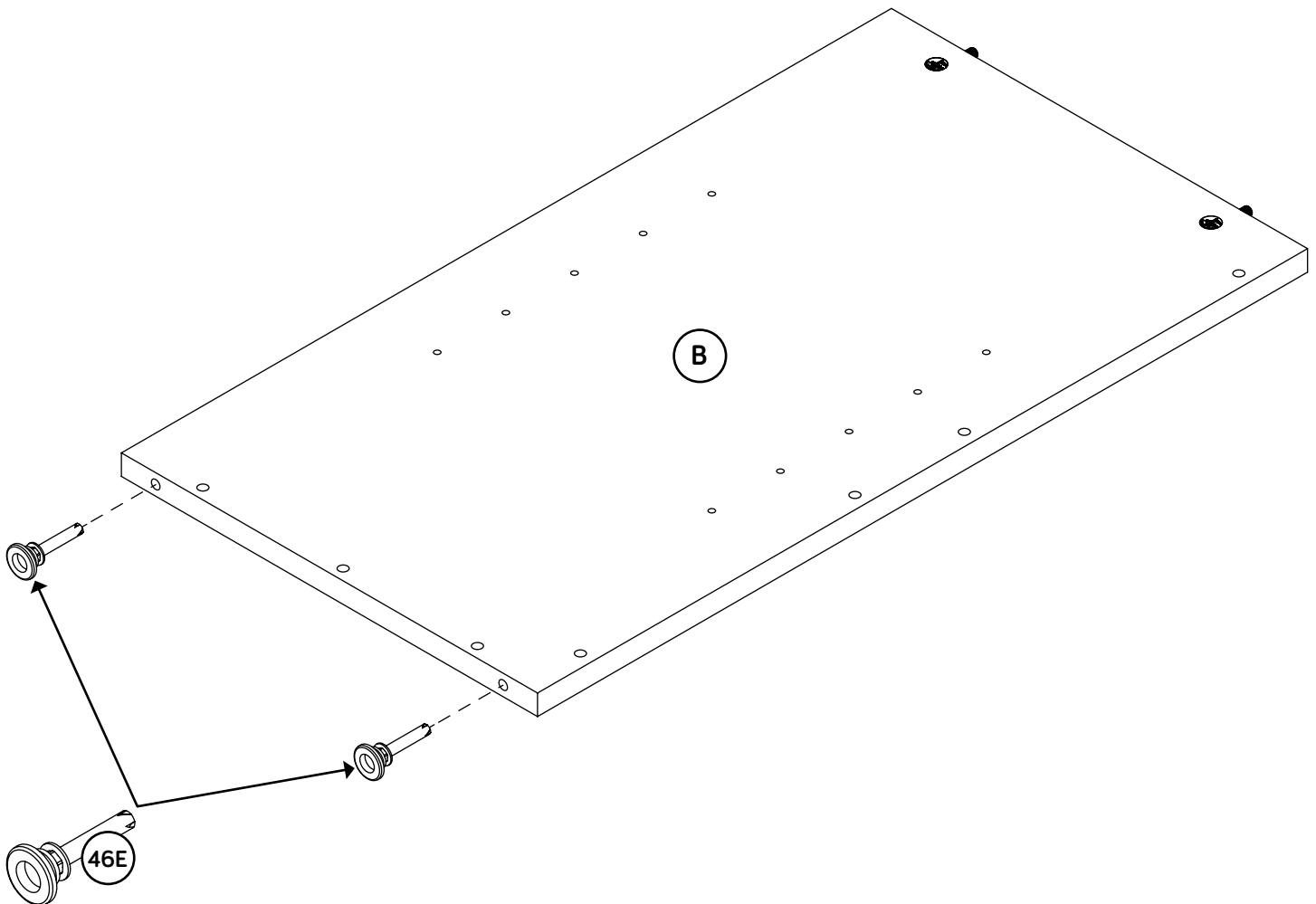
Do not tighten the HIDDEN CAMS in this step.

Step 2

- ✚ Using your hammer, gently tap two LEVELERS (46E) completely into the holes in the LEFT END (B).
- ✚ NOTE: Adjustments to the LEVELERS will be made later in assembly once your unit is standing upright.



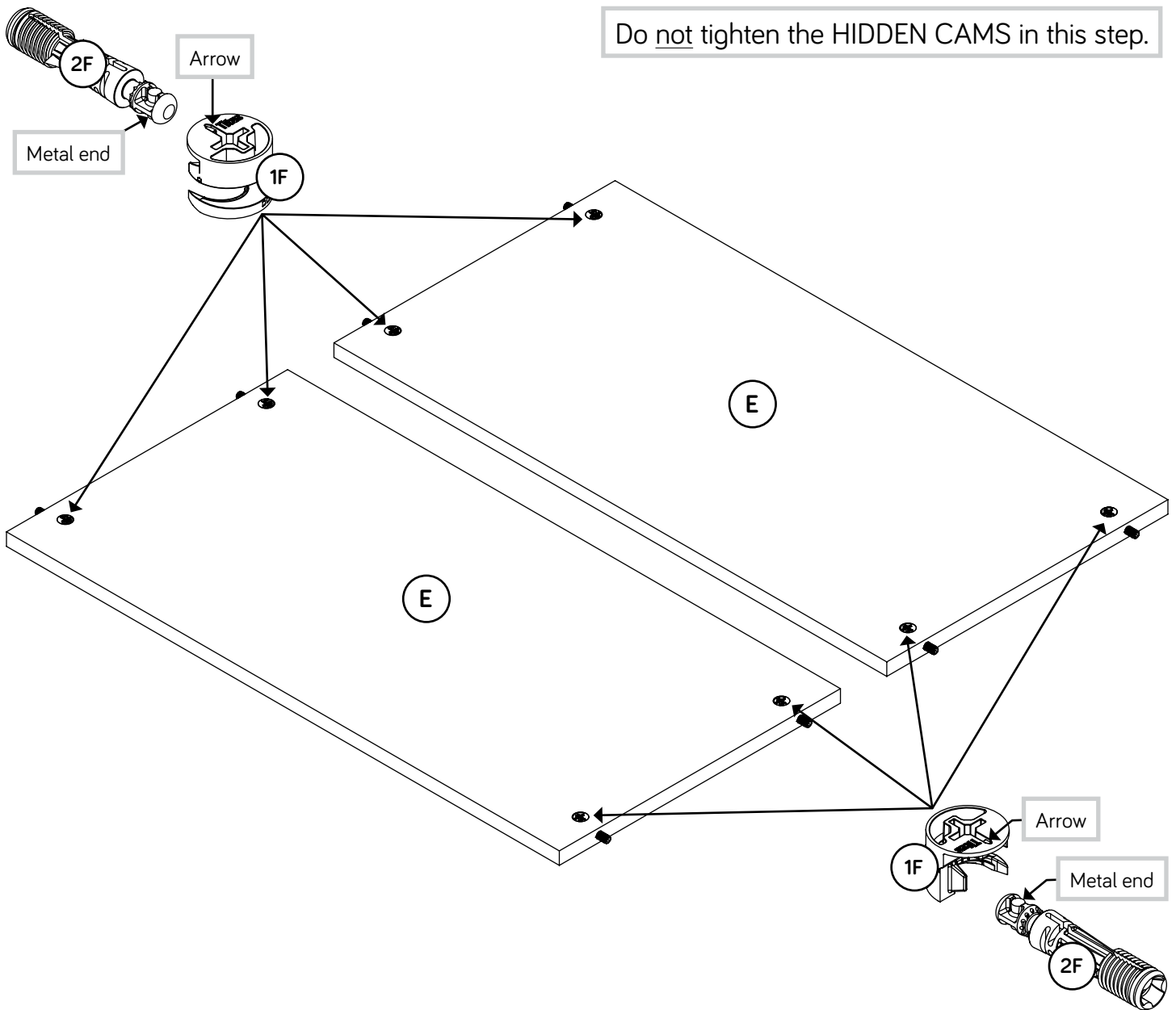
Just think. The sooner you do this, the sooner you do something else.



Step 3

- Push eight HIDDEN CAMS (1F) into the BACKS (E). Then, insert the metal end of a CAM DOWEL (2F) into each HIDDEN CAM.

Do not tighten the HIDDEN CAMS in this step.

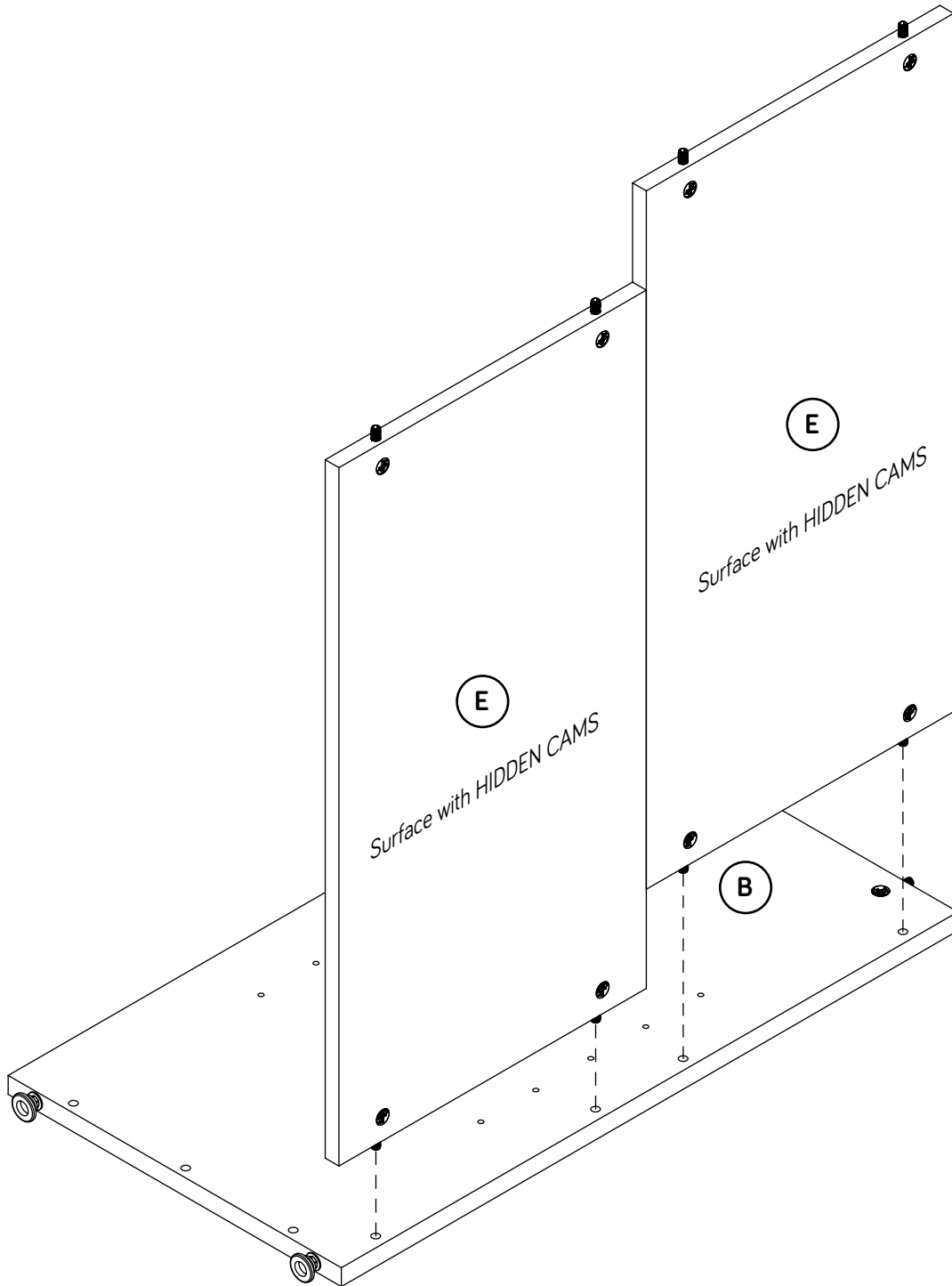


Step 4

- Fasten the BACKS (E) to the LEFT END (B).
Tighten four HIDDEN CAMS.

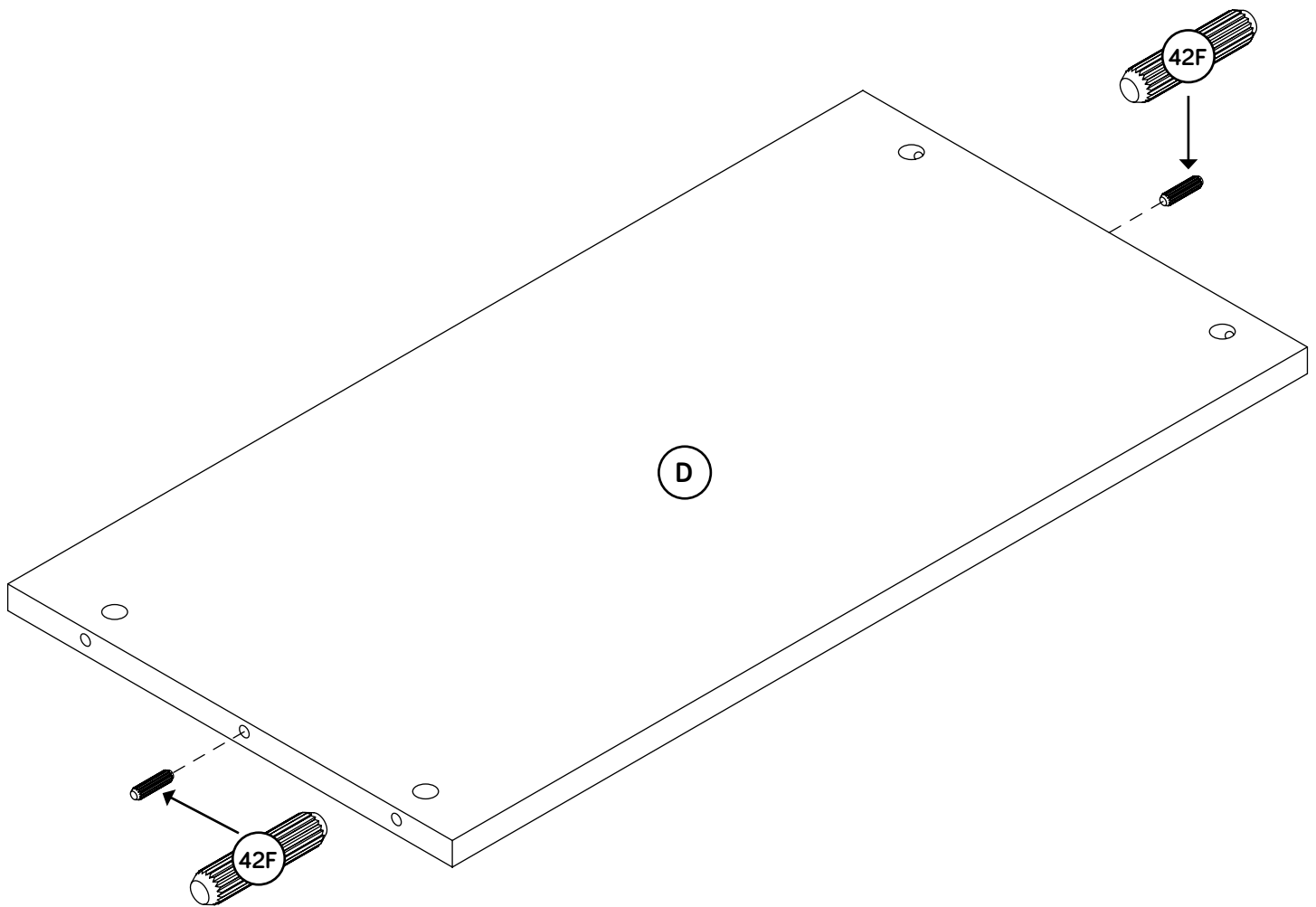


Do not stand the unit upright without the BACKS fastened. The unit may collapse.



Step 5

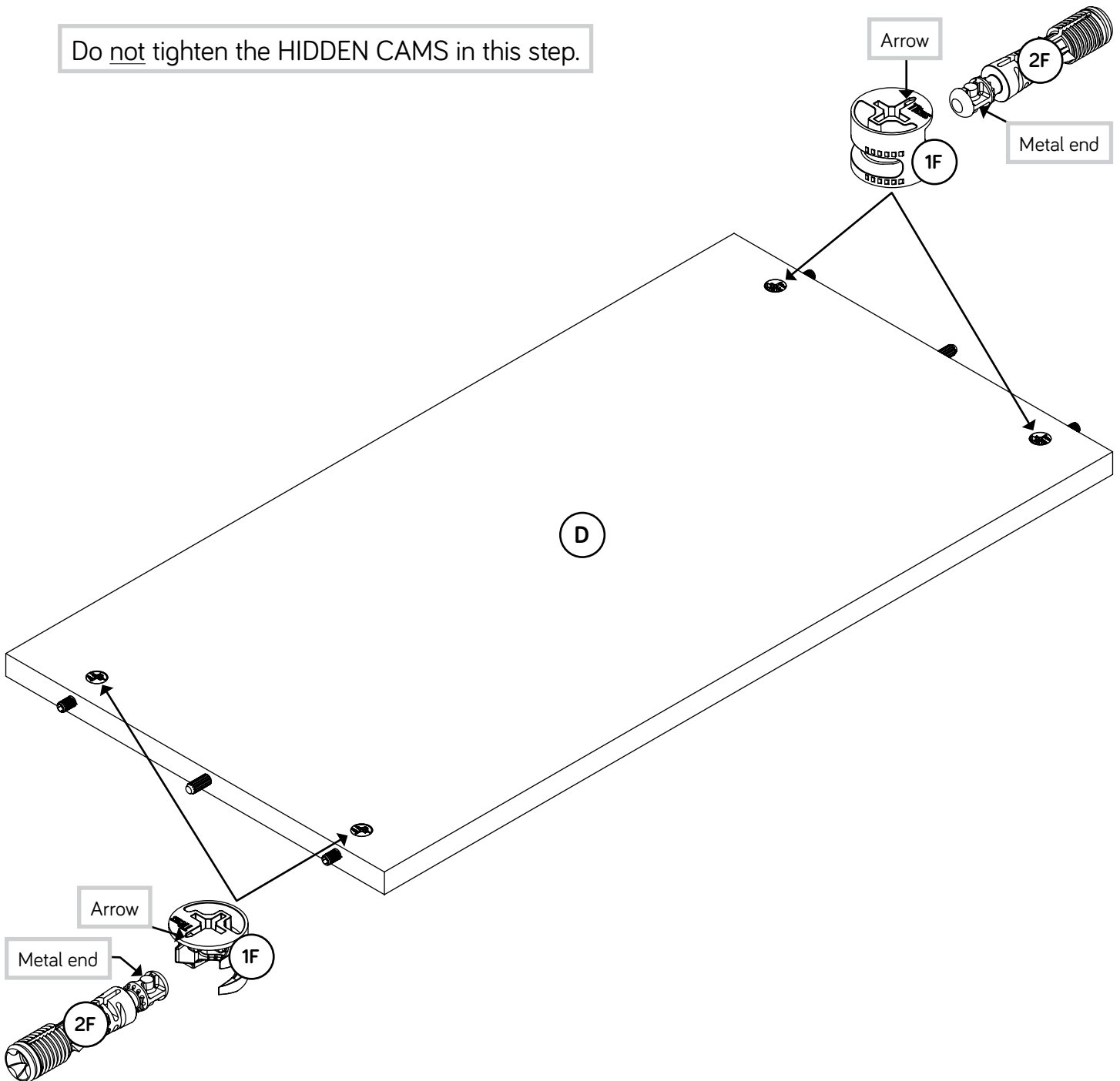
- ✚ Insert two WOOD DOWELS (42F) into the BOTTOM (D).
- ✚ NOTE: You may need to gently tap the WOOD DOWELS in with your hammer.



Step 6

- Push four HIDDEN CAMS (1F) into the BOTTOM (D).
Then, insert the metal end of a CAM DOWEL (2F) into each HIDDEN CAM.

Do not tighten the HIDDEN CAMS in this step.



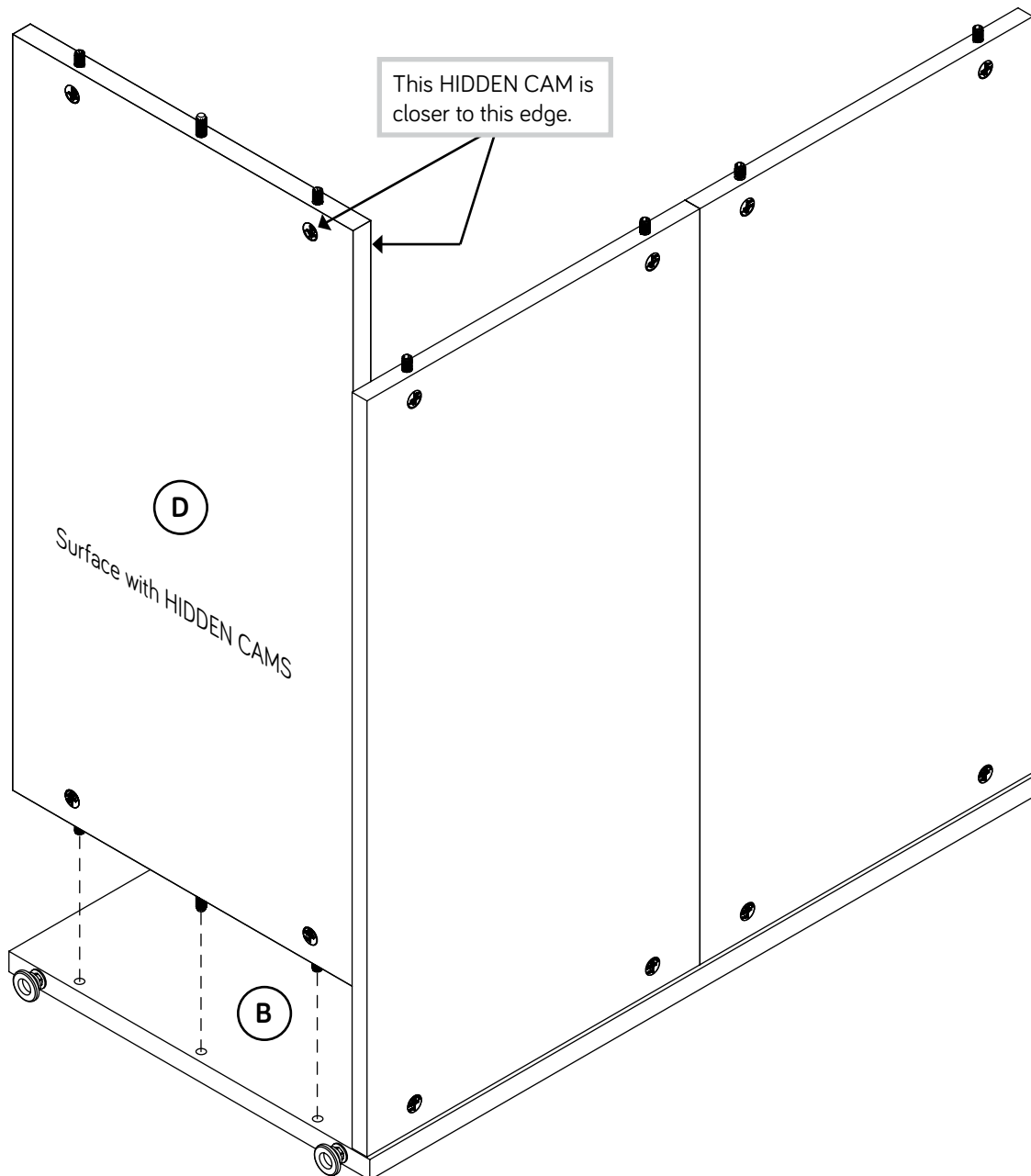
Step 7

✚ Fasten the BOTTOM (D) to the LEFT END (B). Tighten two HIDDEN CAMS.

✚ NOTE: Be sure the WOOD DOWEL in the BOTTOM inserts into the LEFT END.



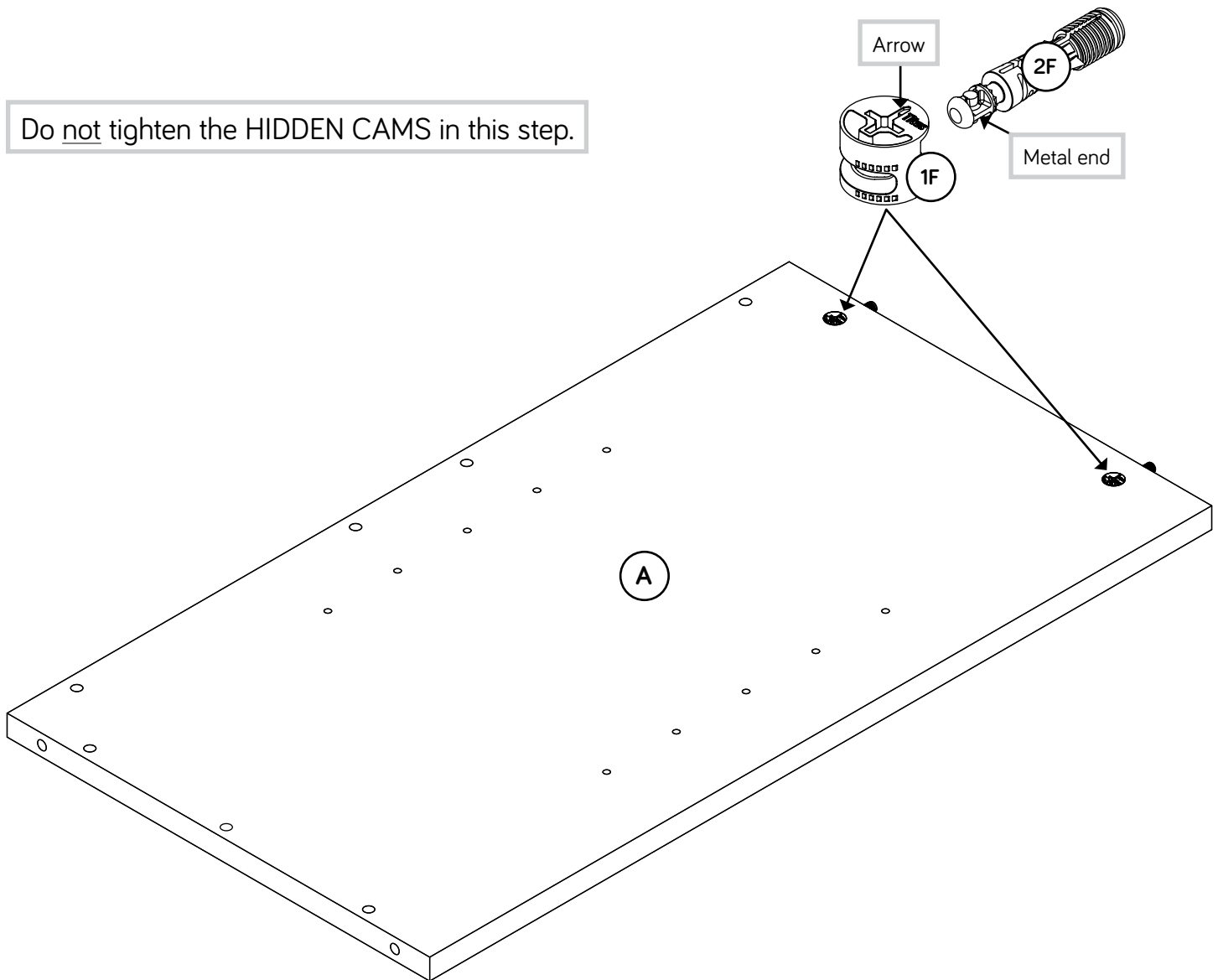
Now might be a good time to refresh your drink.



Step 8

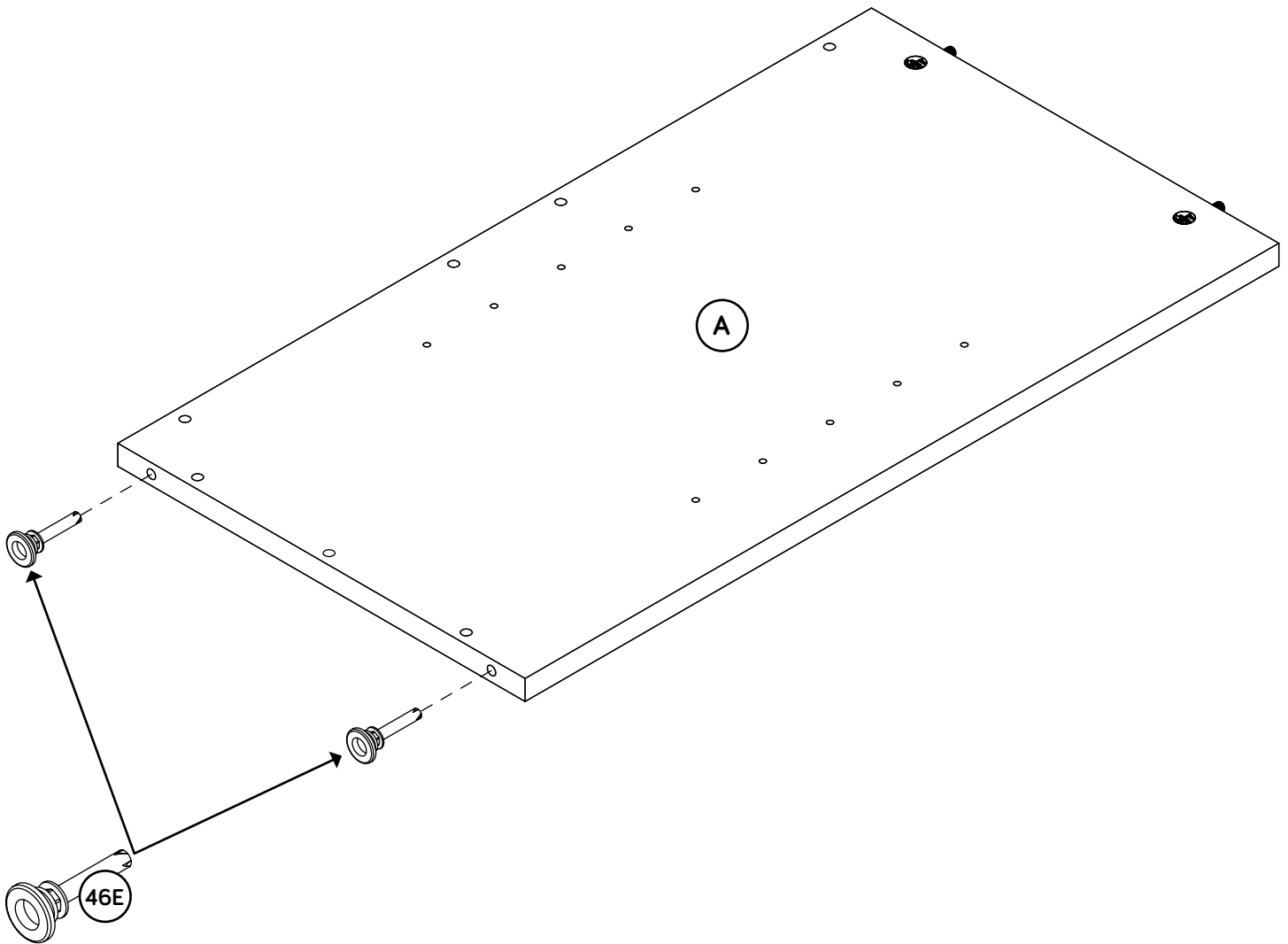
- Push two HIDDEN CAMS (1F) into the RIGHT END (A). Then, insert the metal end of a CAM DOWEL (2F) into each HIDDEN CAM.

Do not tighten the HIDDEN CAMS in this step.



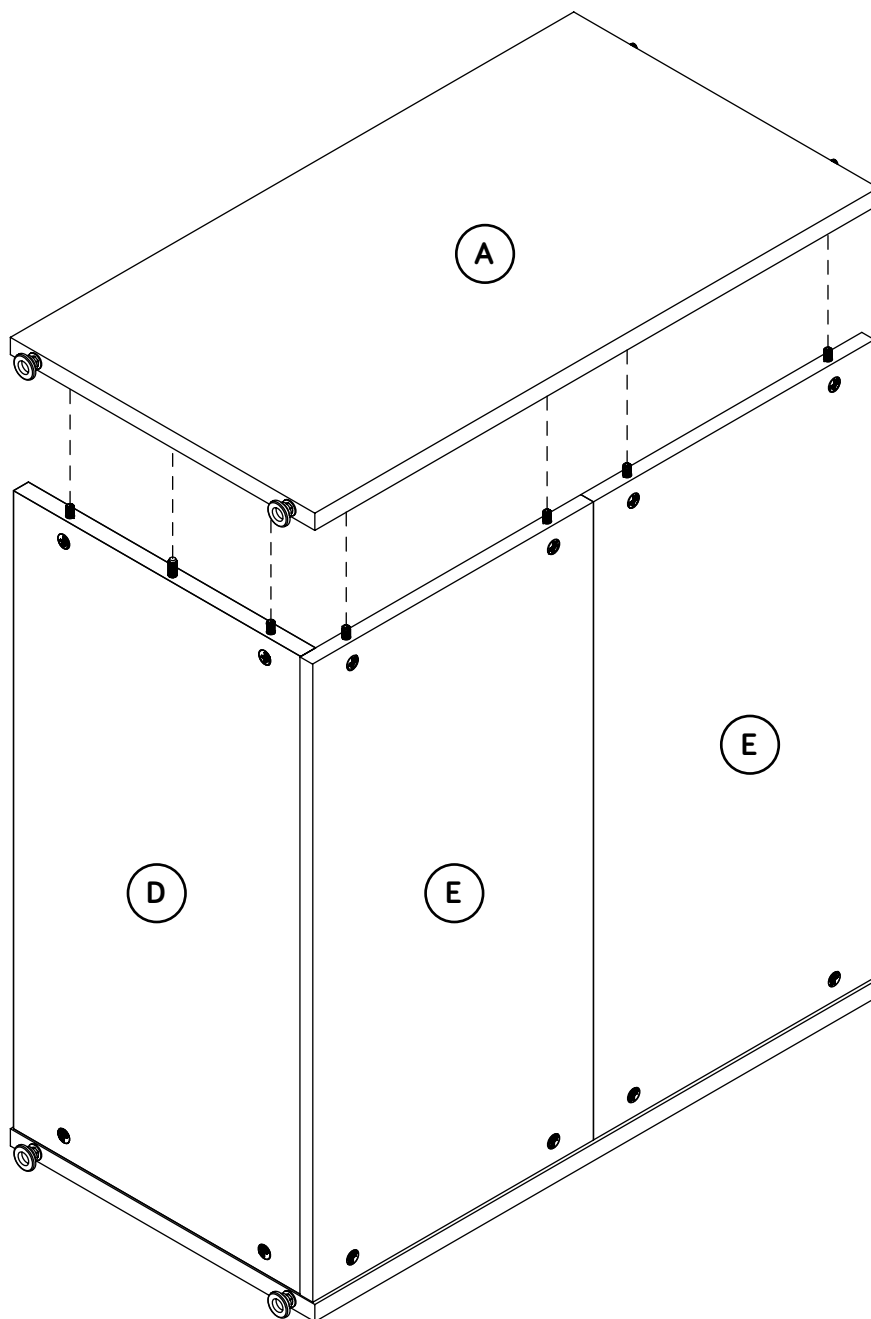
Step 9

- ✚ Using your hammer, gently tap two LEVELERS (46E) completely into the holes in the RIGHT END (A).
- ✚ NOTE: Adjustments to the LEVELERS will be made later in assembly once your unit is standing upright.



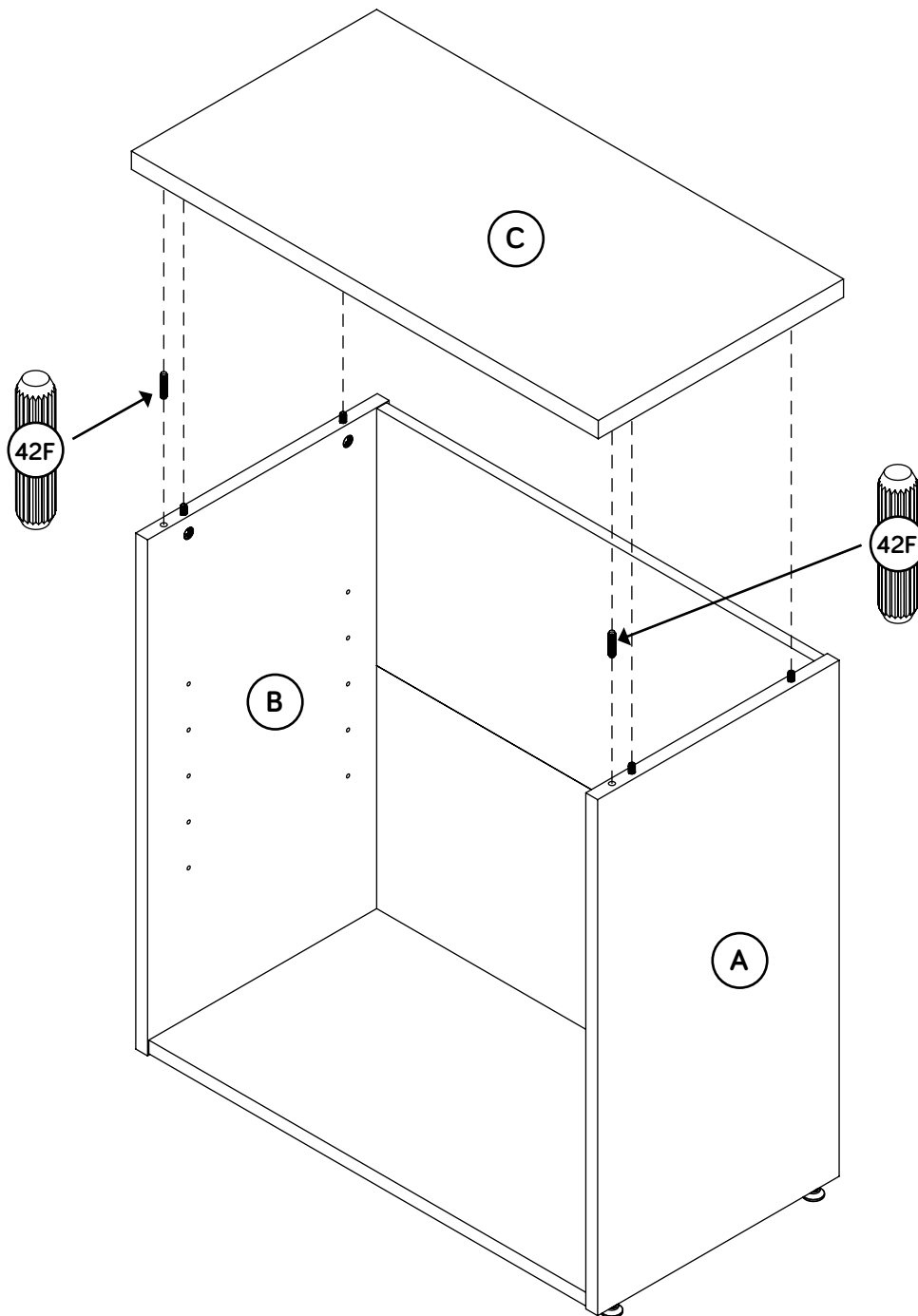
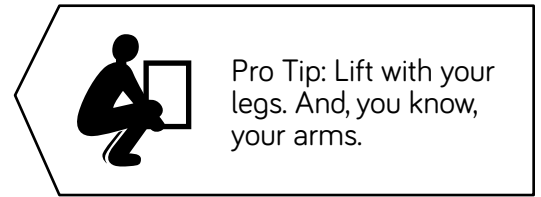
Step 10

- ✚ Fasten the RIGHT END (A) to the BOTTOM (D) and BACKS (E).
Tighten six HIDDEN CAMS.
- ✚ NOTE: Be sure the WOOD DOWEL in the BOTTOM inserts into the RIGHT END.



Step 11

- ✚ Carefully stand your unit upright.
- ✚ Insert two WOOD DOWELS (42F) into the ENDS (A and B).
- ✚ NOTE: You may need to gently tap the WOOD DOWELS in with your hammer.
- ✚ Fasten the TOP (C) to the ENDS (A and B). Tighten four HIDDEN CAMS.
- ✚ NOTE: Be sure the WOOD DOWELS in the ENDS insert into the TOP.



Step 12

- ✚ Push a RUBBER SLEEVE (2R) over one end of each METAL PIN (1R). Insert the METAL PINS into the hole locations of your choice in the ENDS (A and B). Set the ADJUSTABLE SHELF (F) onto the METAL PINS.
- ✚ Using your hammer, gently tap a CAM COVER (129P) onto each visible HIDDEN CAM.
- ✚ For long-term care and maintenance of your unit, you may touch up the edges with the TOUCH-UP PEN (9M).
- ✚ Your unit may need leveling. To raise a corner of your unit, rotate the LEVELER downward. To lower a corner of your unit, rotate the LEVELER upward.
- ✚ NOTE: Please read the back pages of the instruction booklet for important safety information.
- ✚ This completes assembly. Clean with a damp cloth. Wipe dry.

