



## 2-Drawer Mobile Pedestal

Hudson Elm finish | **Model 5427872**

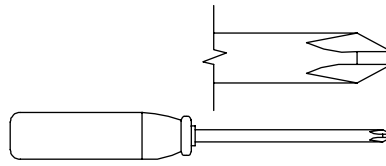
**NOTE:** THIS INSTRUCTION BOOKLET CONTAINS **IMPORTANT** SAFETY INFORMATION. PLEASE READ AND KEEP FOR FUTURE REFERENCE.

English pg 1-24  
Français pg 25-28  
Español pg 29-32

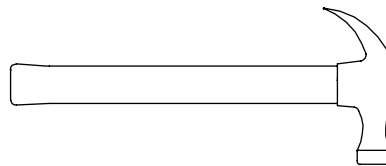
Lot # **572582**  
Purchased:

10/08/21

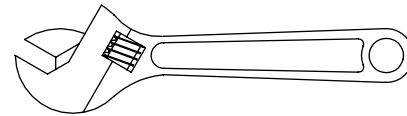
|                         |       |
|-------------------------|-------|
| Part Identification     | 3     |
| Hardware Identification | 4     |
| Hardware Usage Guide    | 6     |
| Assembly Steps          | 5-24  |
| Français                | 25-28 |
| Español                 | 29-32 |
| Safety                  | 33-34 |
| Warranty                | 35    |



No. 2 Phillips Screwdriver  
Tip Shown Actual Size



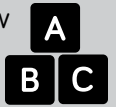
Hammer  
Not actual size 😊



Adjustable Wrench

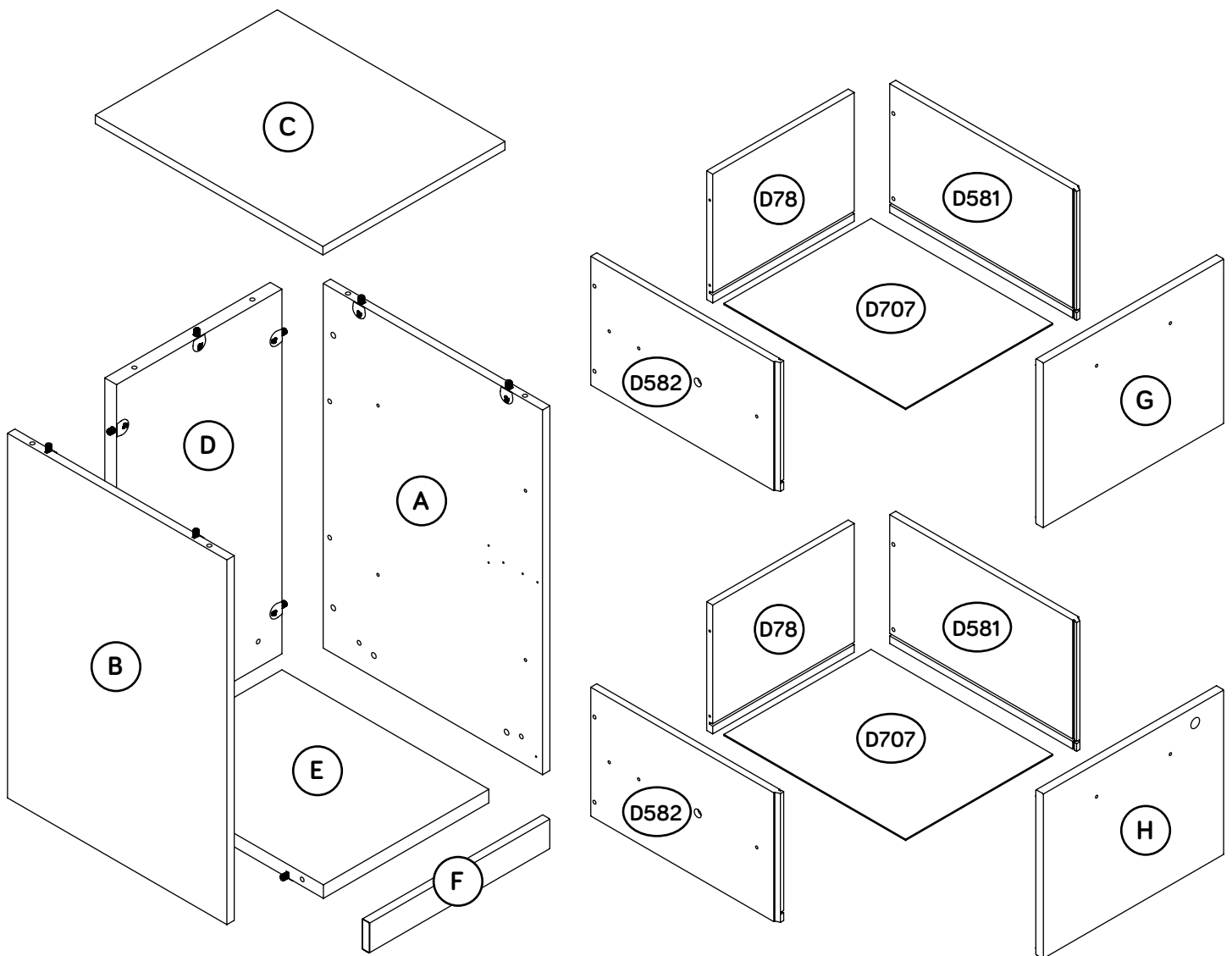
# Part Identification

Now you know  
our ABCs.



⚠ While not all parts are labeled, some of the parts will have a label or an inked letter on the edge to help distinguish similar parts from each other. Use this part identification to help identify similar parts.

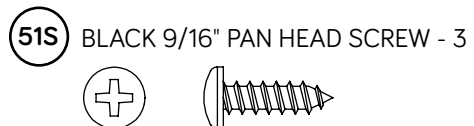
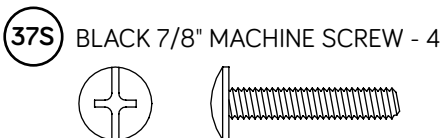
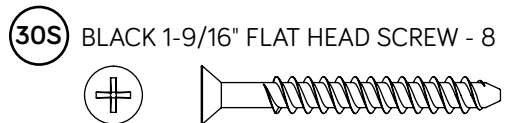
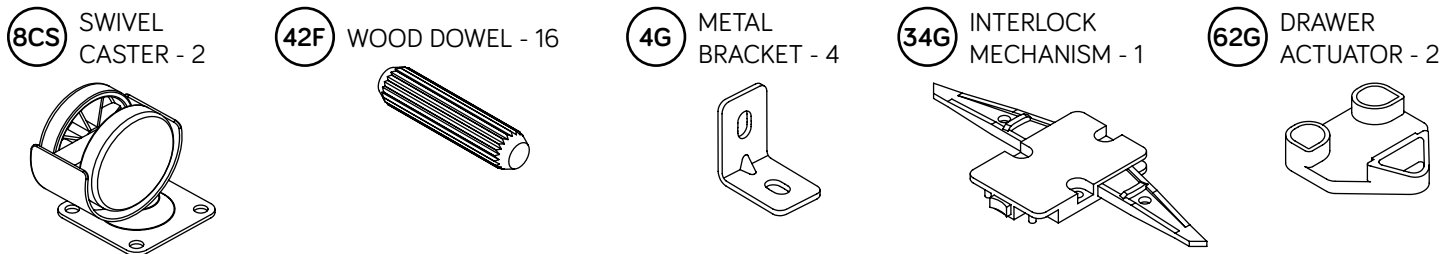
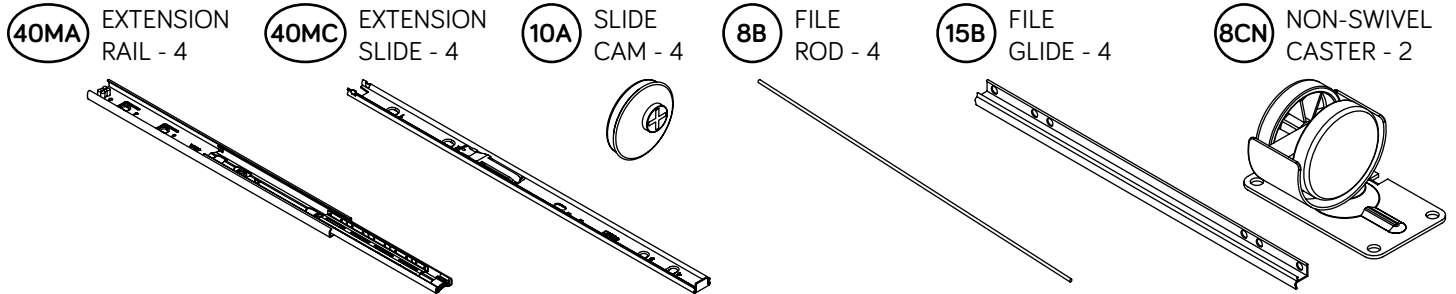
|   |               |      |                       |   |                          |
|---|---------------|------|-----------------------|---|--------------------------|
| A | RIGHT END (1) | D78  | DRAWER BACK (2)       | E | BOTTOM (1)               |
| B | LEFT END (1)  | D581 | RIGHT DRAWER SIDE (2) | F | BASE (1)                 |
| C | TOP (1)       | D582 | LEFT DRAWER SIDE (2)  | G | DRAWER FRONT (1)         |
| D | BACK (1)      | D707 | DRAWER BOTTOM (2)     | H | LOCKING DRAWER FRONT (1) |



# Hardware Identification

↑ Screws are shown actual size. You may receive extra hardware with your unit.

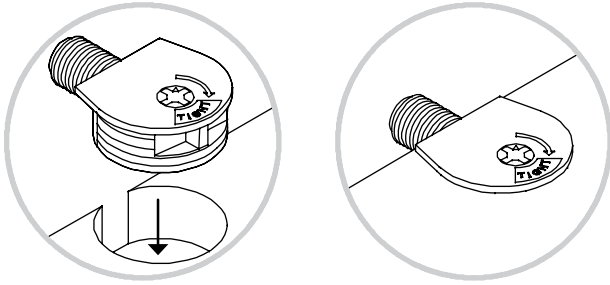
(EXTENSION SET SHOWN SEPARATED)



# Hardware Usage Guide

## HOW TO USE A TWIST-LOCK® FASTENER

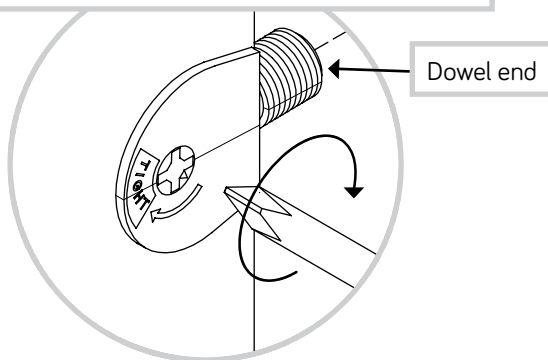
1. Push a TWIST-LOCK® FASTENER into the large hole in the part.



2. 1. Insert the dowel end of the FASTENER into the hole of the adjoining part.

NOTE: The dowel end of the FASTENER must remain fully inserted in the hole of the adjoining part while locking the FASTENER.

2. Tighten the FASTENER with a Phillips screwdriver as tight as possible.

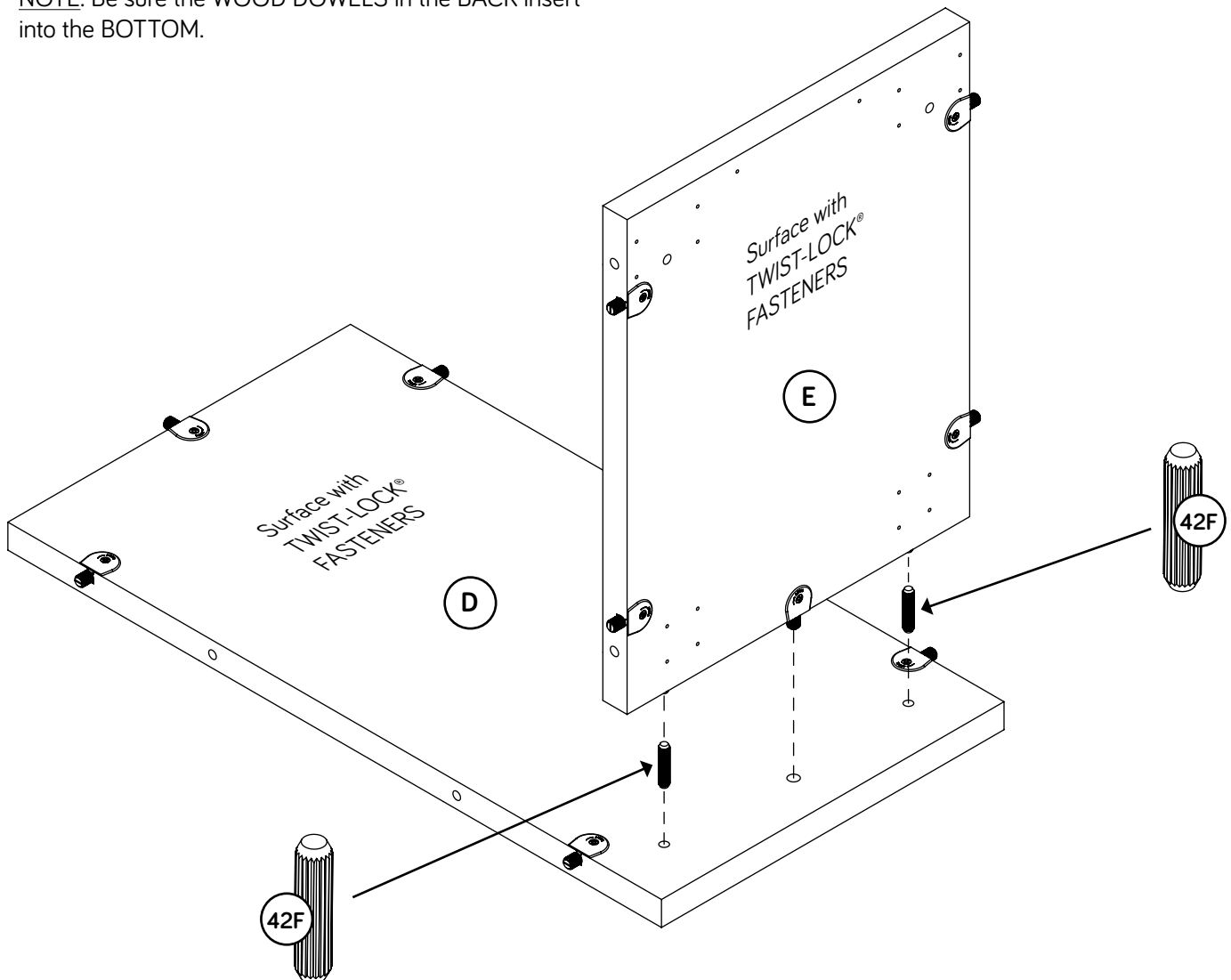


# Step 1

- ✚ Assemble your unit on a carpeted floor or on the empty carton to avoid scratching your unit or the floor.
- ✚ Insert two WOOD DOWELS (42F) into the BACK (D).
- ✚ NOTE: You may need to gently tap the WOOD DOWEL in with your hammer.
- ✚ Fasten the BOTTOM (E) to the BACK (D). Tighten one TWIST-LOCK® FASTENER.
- ✚ NOTE: Be sure the WOOD DOWELS in the BACK insert into the BOTTOM.

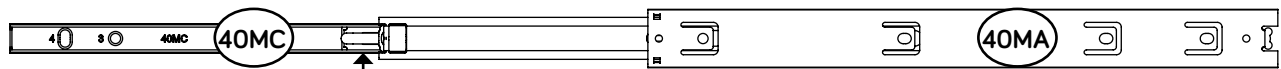


Just think. The sooner you do this, the sooner you do something else.

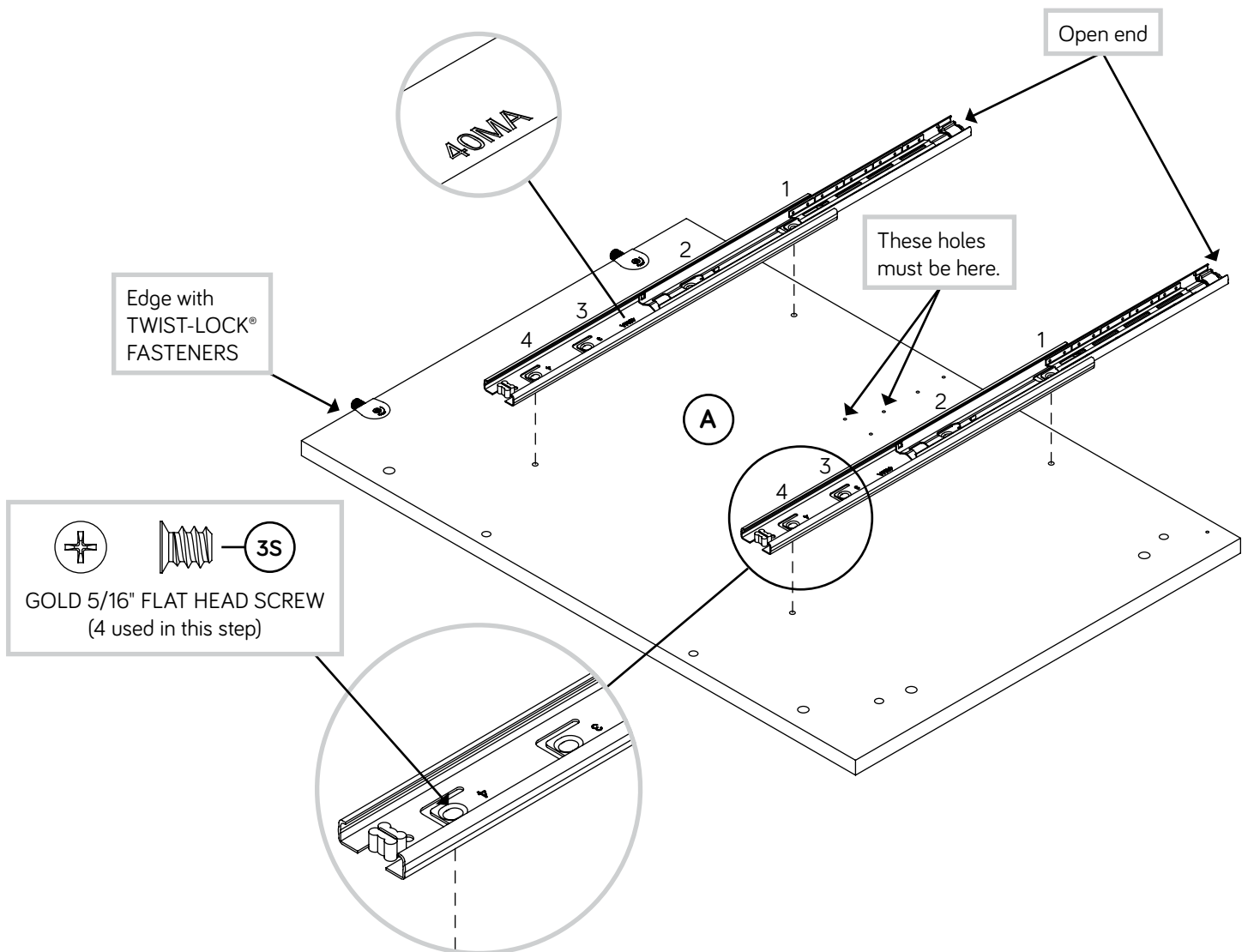


## Step 2

- ✚ Separate the EXTENSION SLIDES (40MC) from the EXTENSION RAILS (40MA) as shown in the upper diagram below. Be prepared, the parts are greasy.
- ✚ Fasten two EXTENSION RAILS (40MA) to the RIGHT END (A). Use four GOLD 5/16" FLAT HEAD SCREWS (3S) through holes #1 and #4.
- ✚ **NOTE:** For each EXTENSION RAIL, turn a SCREW into the hole shown in the enlarged diagram. Then, slide the inner cartridge of the EXTENSION RAIL in to find the other hole that lines up with the hole in the END. Turn a SCREW into this hole.
- ✚ **NOTE:** The EXTENSION SLIDES will be used later for the DRAWERS.

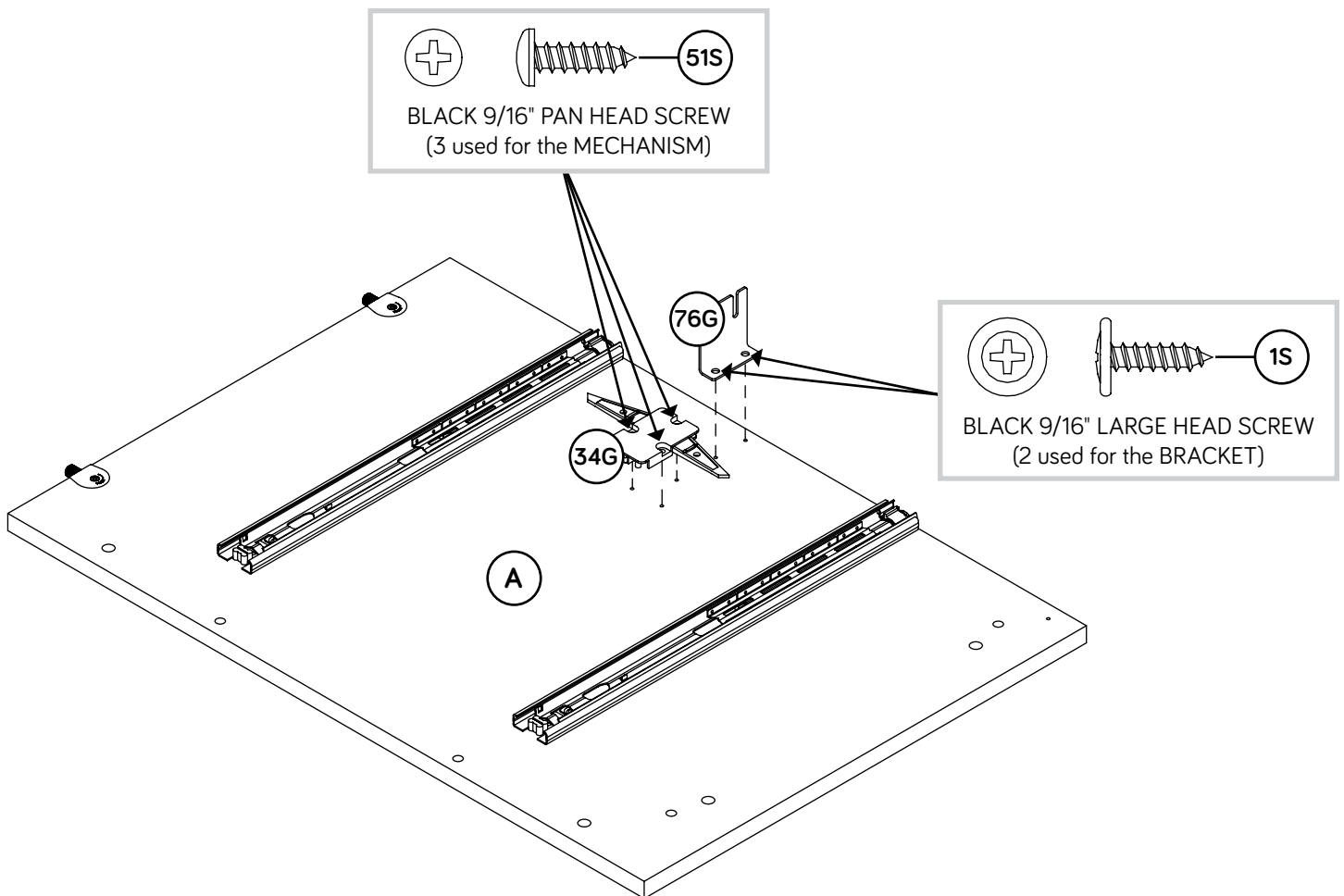


Push the black lever in and pull the SLIDE from the RAIL.



# Step 3

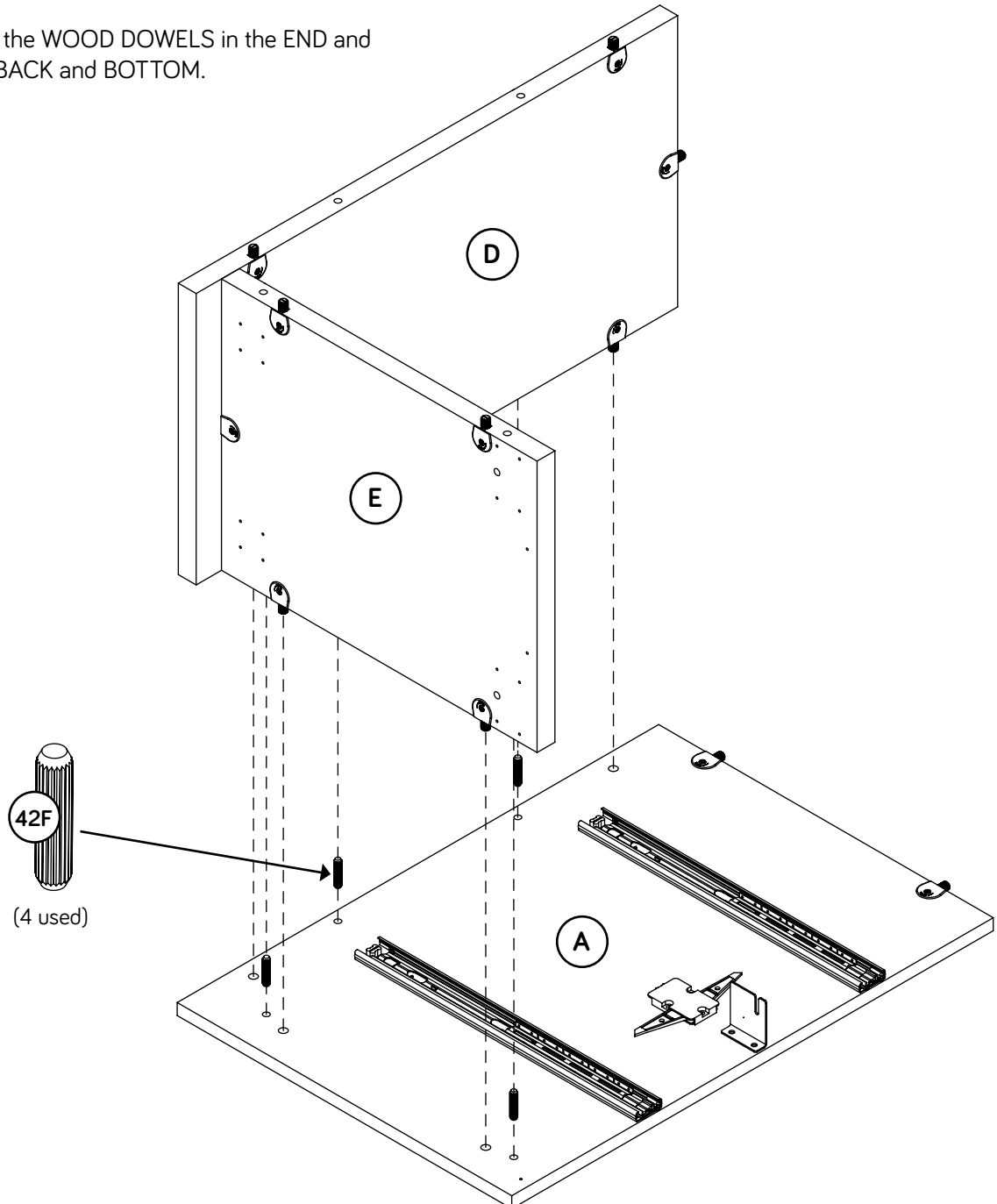
- Fasten the INTERLOCK MECHANISM (34G) to the RIGHT END (A). Use three BLACK 9/16" PAN HEAD SCREWS (51S).
- Fasten the L-LOCK BRACKET (76G) to the RIGHT END (A) exactly as shown. Use two BLACK 9/16" LARGE HEAD SCREWS (1S).





# Step 4

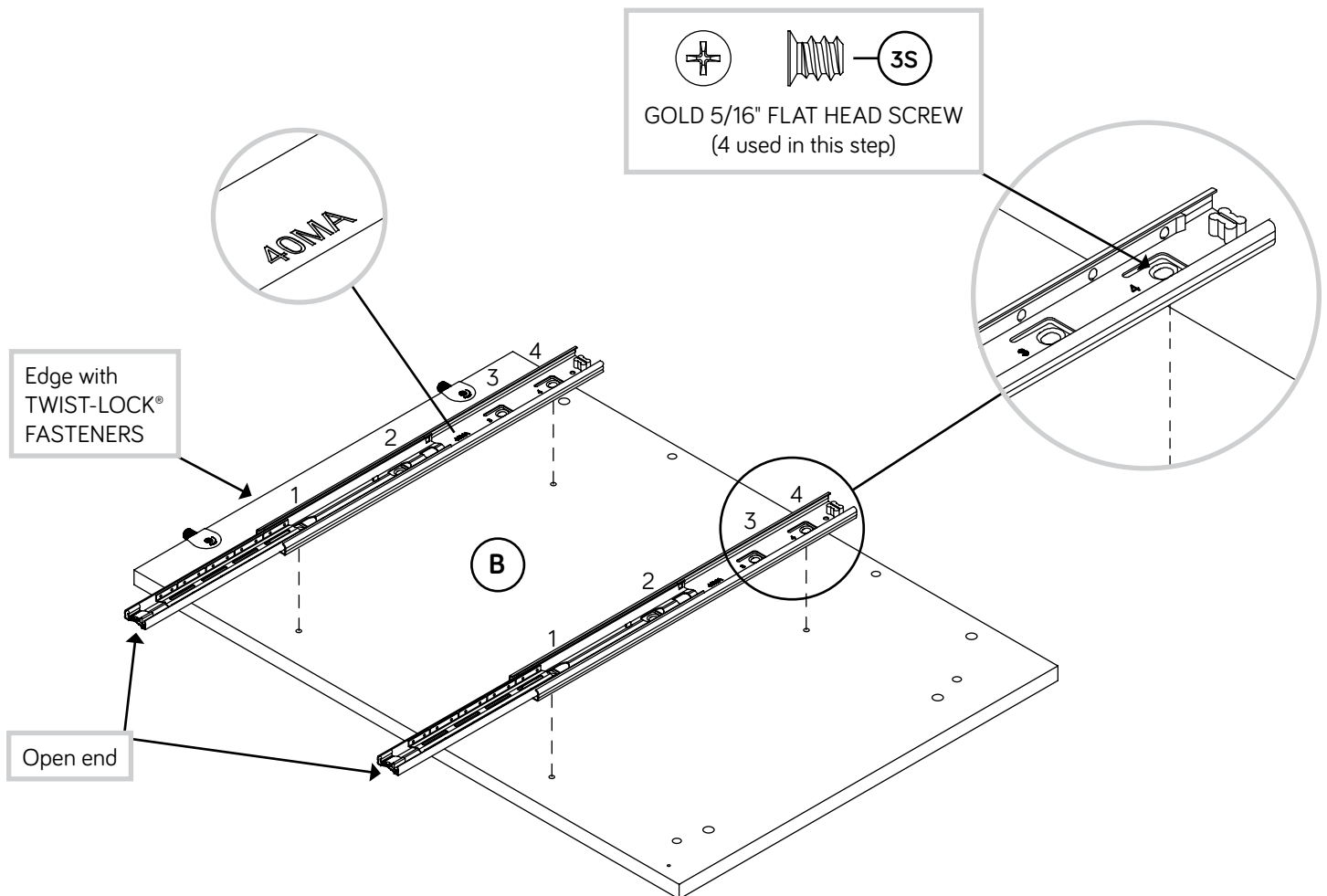
- ✦ Insert four WOOD DOWELS (42F) into the RIGHT END (A).
- ✦ NOTE: You may need to gently tap the WOOD DOWEL in with your hammer.
- ✦ Fasten the BACK (D) and BOTTOM (E) to the RIGHT END (A). Tighten four TWIST-LOCK® FASTENERS.
- ✦ NOTE: Be sure the WOOD DOWELS in the END and insert into the BACK and BOTTOM.



# Step 5

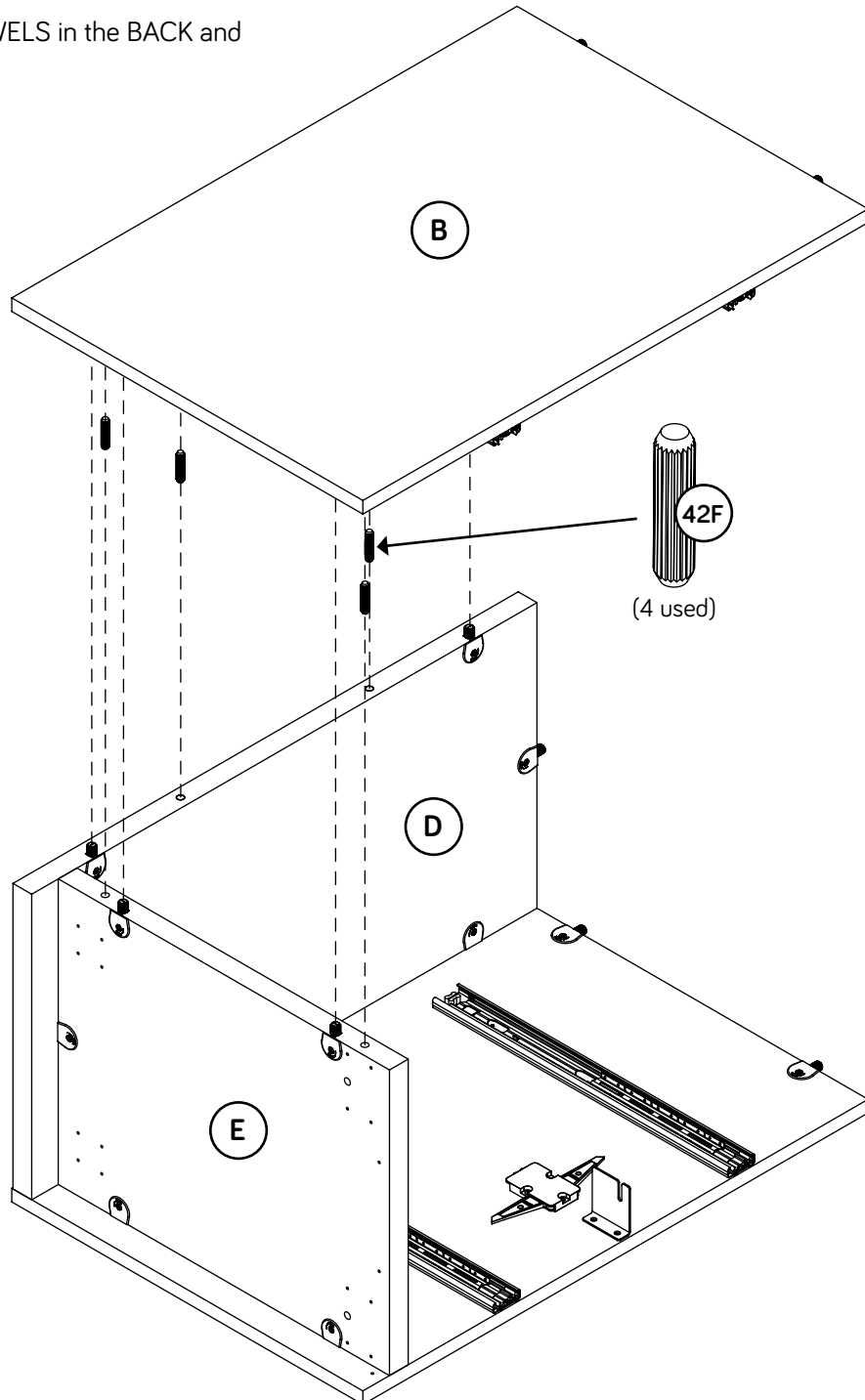
- Fasten two EXTENSION RAILS (40MA) to the LEFT END (B). Use four GOLD 5/16" FLAT HEAD SCREWS (3S) through holes #1 and #4.

**NOTE:** For each EXTENSION RAIL, turn a SCREW into the hole shown in the enlarged diagram. Then, slide the inner cartridge of the EXTENSION RAIL in to find the other hole that lines up with the hole in the END. Turn a SCREW into this hole.



# Step 6

- ✚ Insert four WOOD DOWELS (42F) into the LEFT END (B).
- ✚ NOTE: You may need to gently tap the WOOD DOWEL in with your hammer.
- ✚ Fasten the LEFT END (B) to the BACK (D) and BOTTOM (E). Tighten four TWIST-LOCK® FASTENERS.
- ✚ NOTE: Be sure the WOOD DOWELS in the BACK and BOTTOM insert into the END.

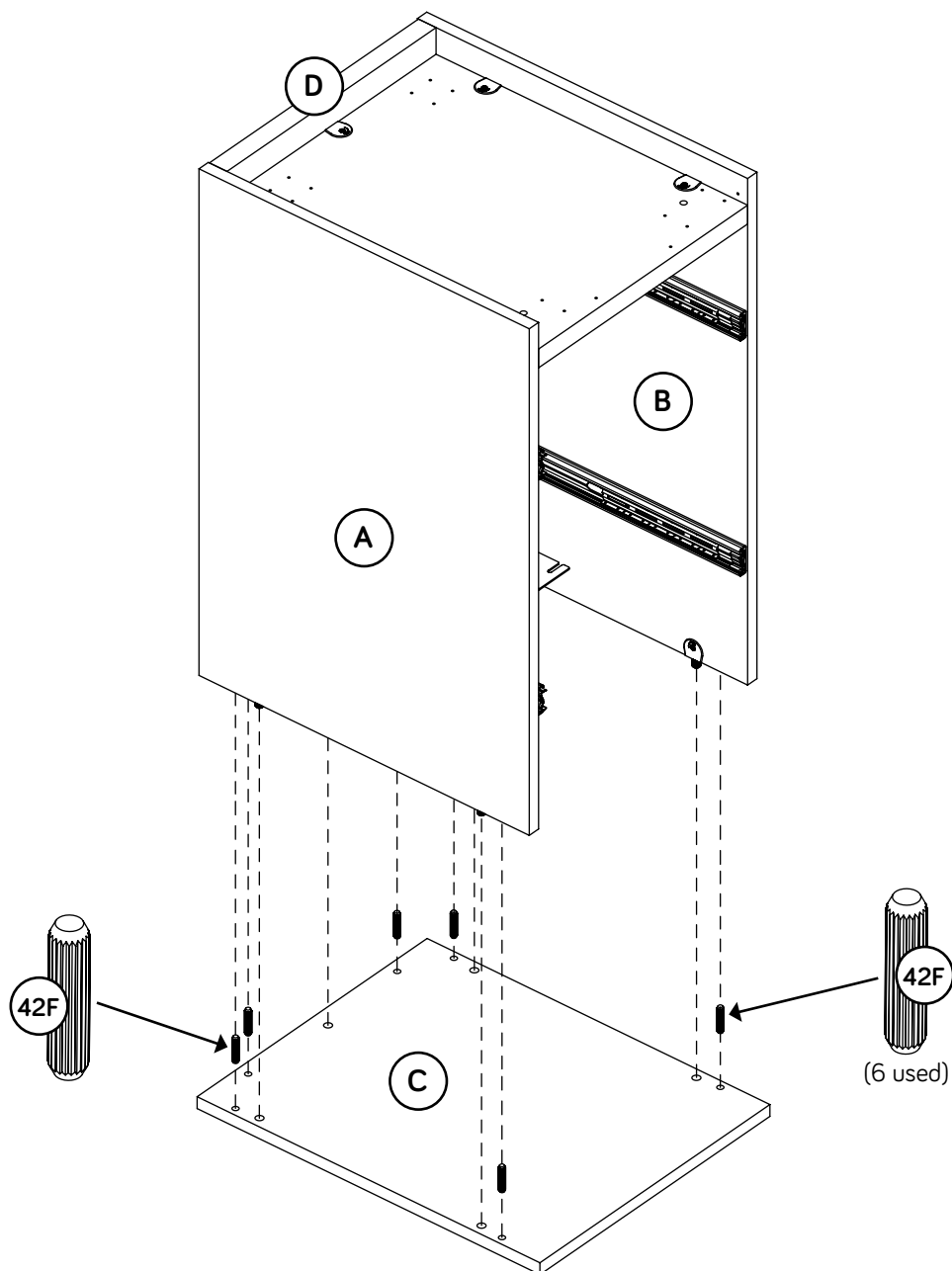


# Step 7

- ✚ Insert six WOOD DOWELS (42F) into the TOP (C).
- ✚ NOTE: You may need to gently tap the WOOD DOWEL in with your hammer.
- ✚ Fasten the ENDS (A and B) and BACK (D) to the ENDS (A and B). Tighten five TWIST-LOCK® FASTENERS.
- ✚ NOTE: Be sure the WOOD DOWELS in the TOP insert into the ENDS and BACK.

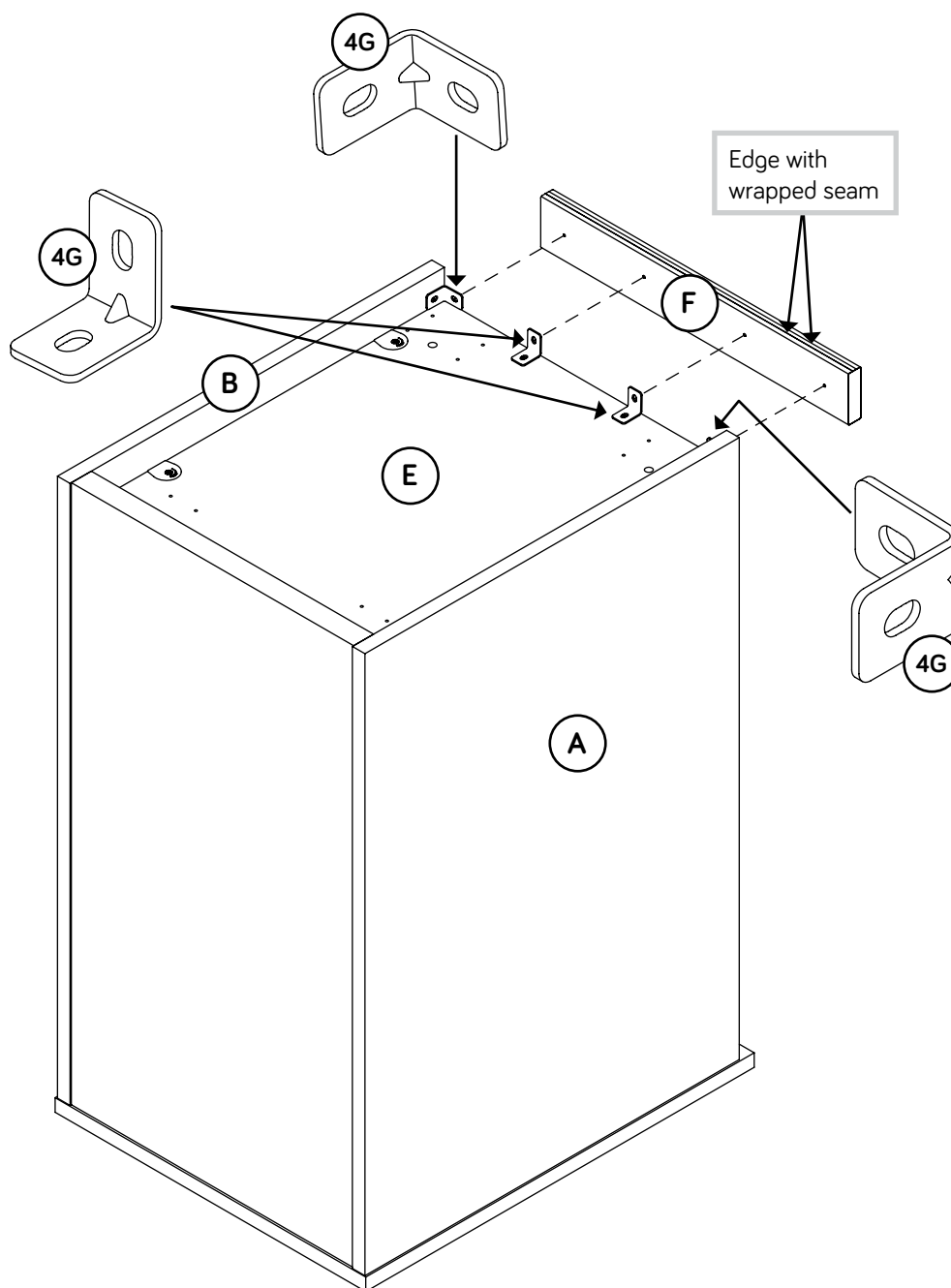
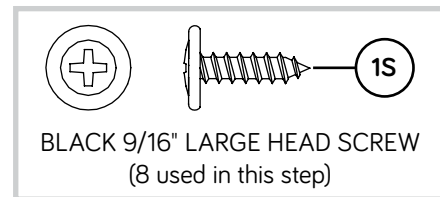


Now might be a good time to refresh your drink.



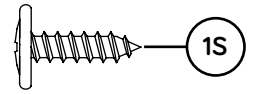
# Step 8

- Fasten four METAL BRACKETS (4G) to the ENDS (A and B) and BOTTOM (E). Use four BLACK 9/16" LARGE HEAD SCREWS (1S).
- NOTE:** Be sure the BRACKETS are even with the edges of the ENDS and BOTTOM.
- Fasten the BASE (F) to the METAL BRACKETS on the ENDS and BOTTOM. Use four BLACK 9/16" LARGE HEAD SCREWS (1S).

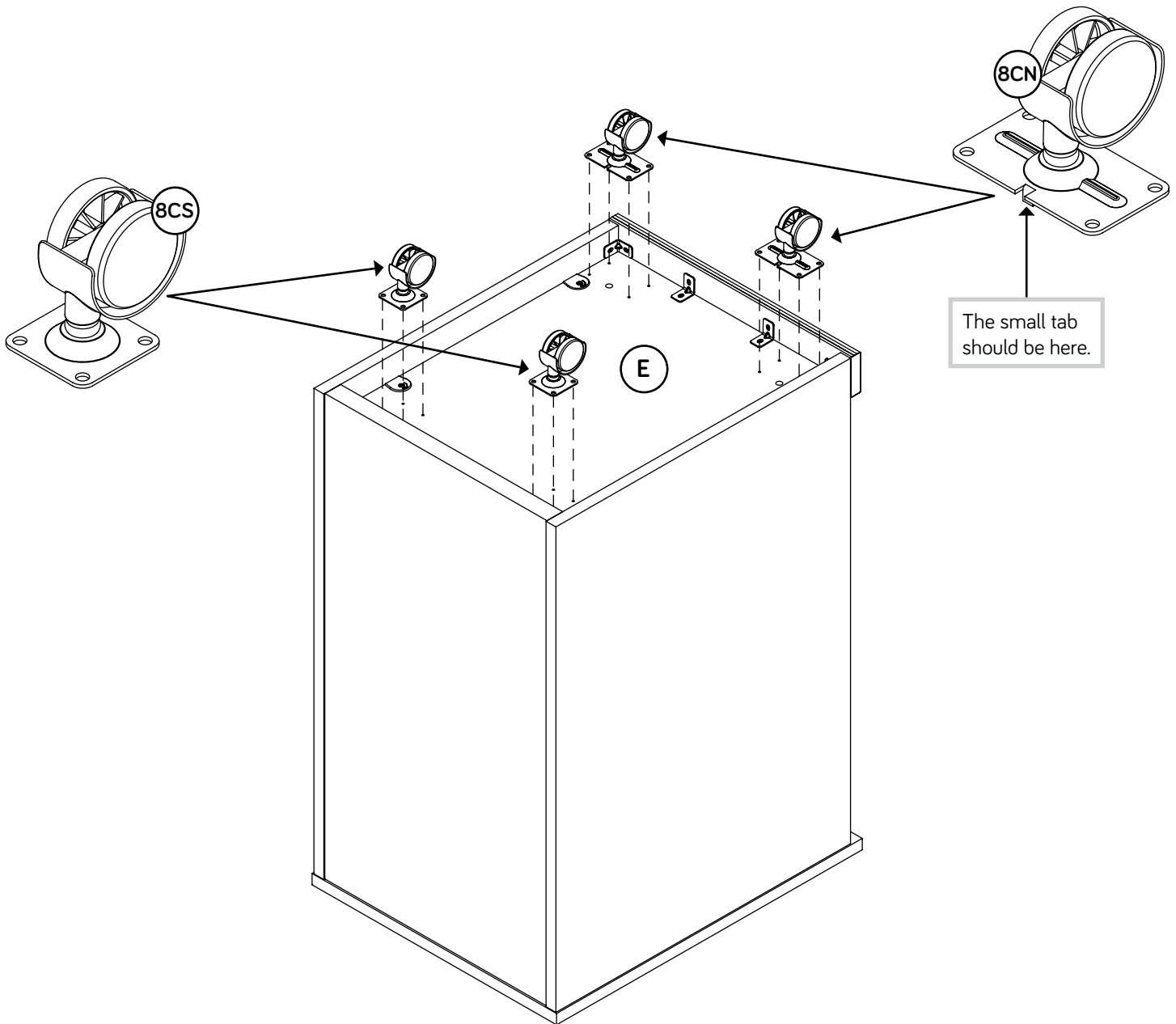


# Step 9

Fasten the CASTERS (8CN and 8CS) to the BOTTOM (E) exactly as shown. Use sixteen BLACK 9/16" LARGE HEAD SCREWS (1S).

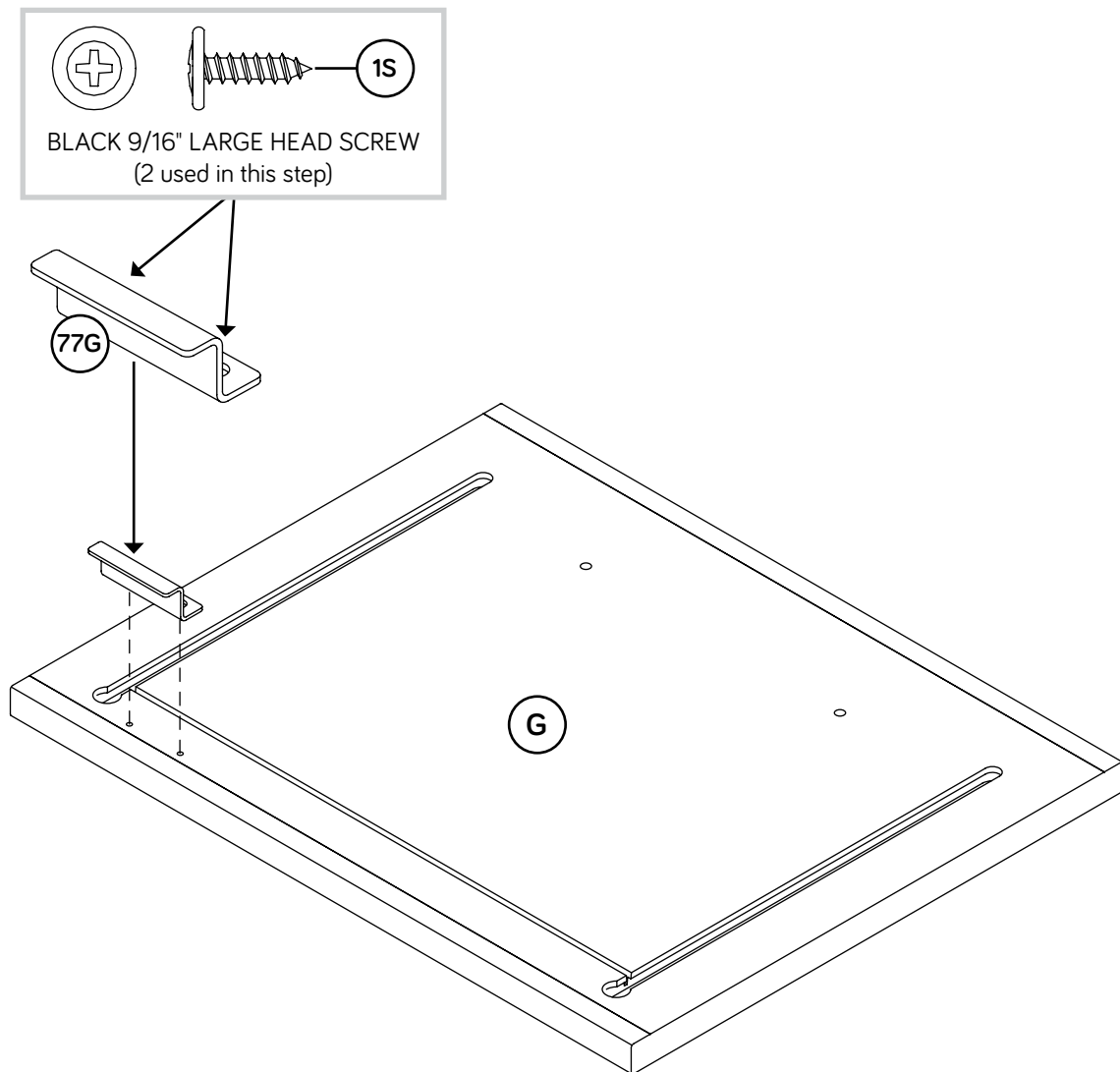


BLACK 9/16" LARGE HEAD SCREW  
(16 used in this step)



# Step 10

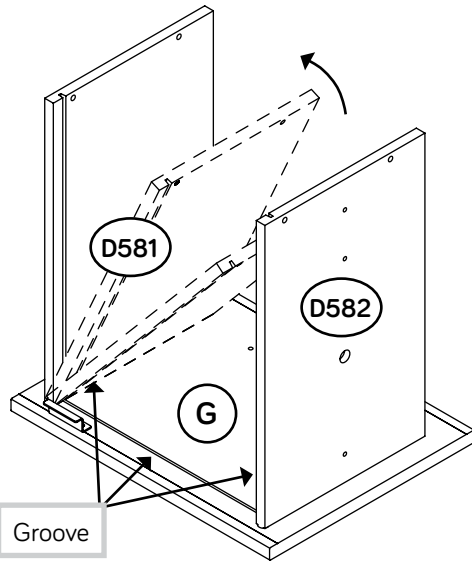
- Fasten the Z-LOCK BRACKET (77G) to the DRAWER FRONT (G). Use two BLACK 9/16" LARGE HEAD SCREWS (1S).



# Step 11

1

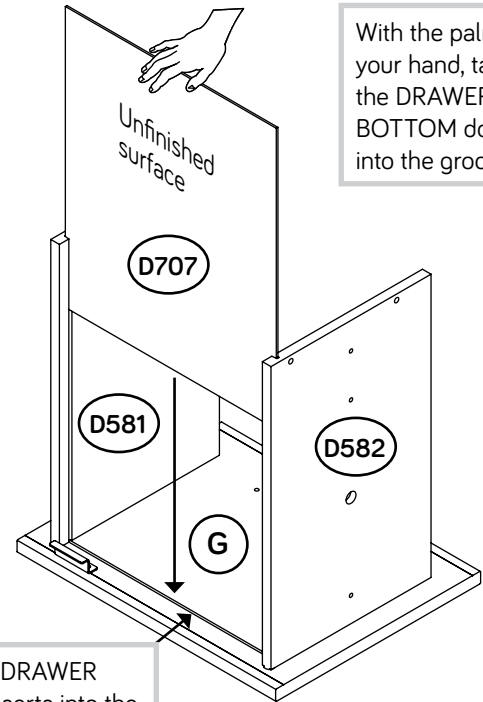
The tabs should insert freely into the slots. Gently tilt the DRAWER SIDES side to side until the tabs slip into the slots.



- ✚ Insert the DRAWER SIDES (D581 and D582) at an angle into the slot at each end of the DRAWER FRONT (G).

2

With the palm of your hand, tap the DRAWER BOTTOM down into the groove.

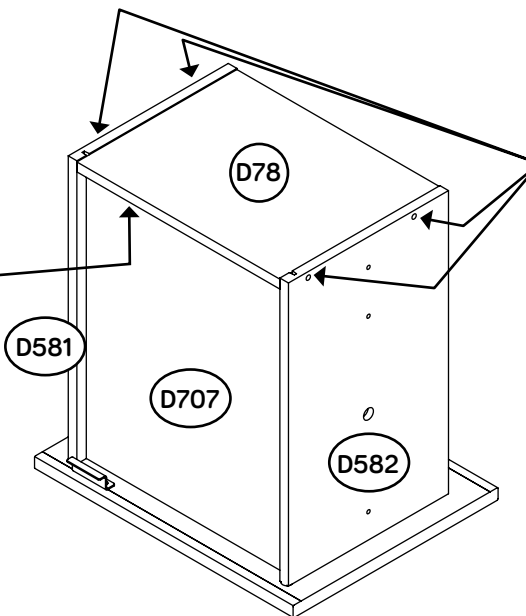


Be sure the DRAWER BOTTOM inserts into the DRAWER FRONT groove.

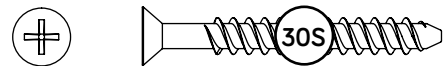
- ✚ Slide the DRAWER BOTTOM (D707) into the grooves in the DRAWER SIDES (D581 and D582) and DRAWER FRONT (G).

3

Be sure the DRAWER BOTTOM inserts into the DRAWER BACK groove.



Start each screw a few turns before completely tightening any of them.



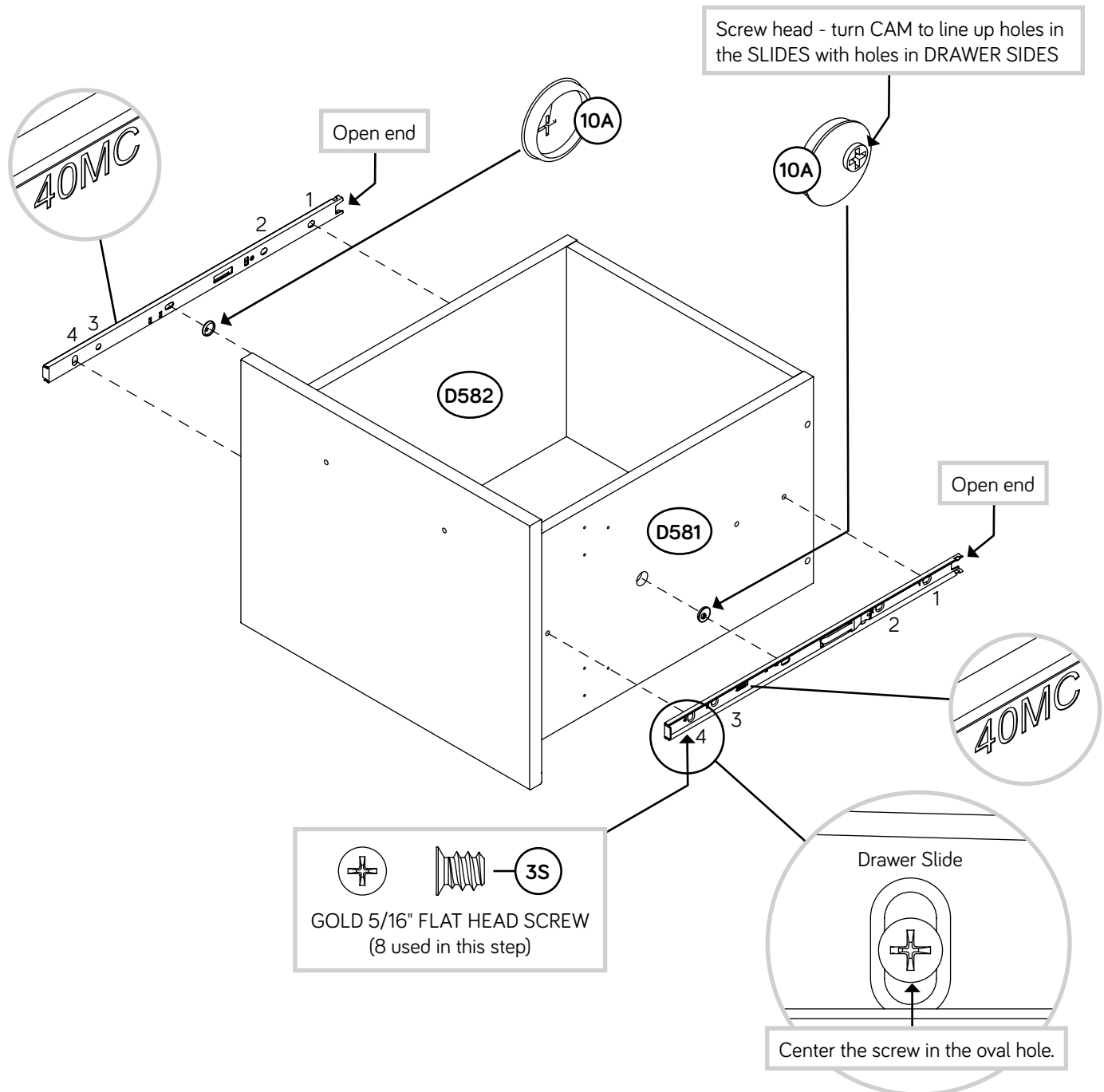
BLACK 1-9/16" FLAT HEAD SCREW  
(8 used in this step)

- ✚ Fasten the DRAWER BACK (D78) to the DRAWER SIDES (D581 and D582). Use four BLACK 1-9/16" FLAT HEAD SCREWS (30S).
- ✚ **NOTE:** Be sure the DRAWER BOTTOM (D707) inserts into the groove of the DRAWER BACK (D78).
- ✚ Repeat this step for the other drawer.



# Step 12

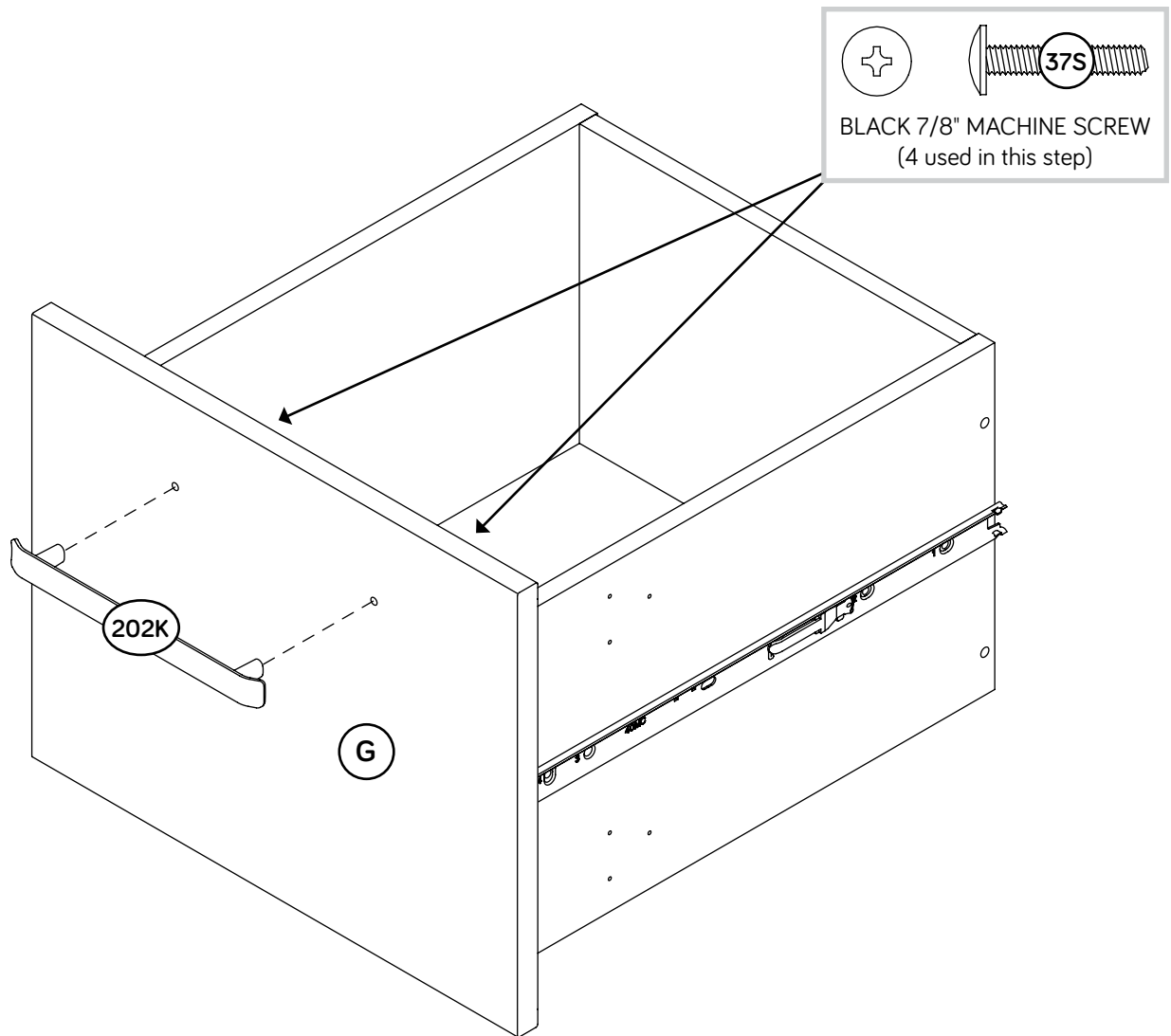
- ✚ Insert a SLIDE CAM (10A) into each DRAWER SIDE (D581 and D582).
- ✚ Fasten the EXTENSION SLIDES (40MC) to the DRAWER SIDES (D581 and D582). Use four GOLD 5/16" FLAT HEAD SCREWS (3S) through holes #1 and #4.
- ✚ NOTE: The screw head in the CAM must be visible through the slotted hole in the SLIDE.
- ✚ Repeat this step for the other drawer.



# Step 13

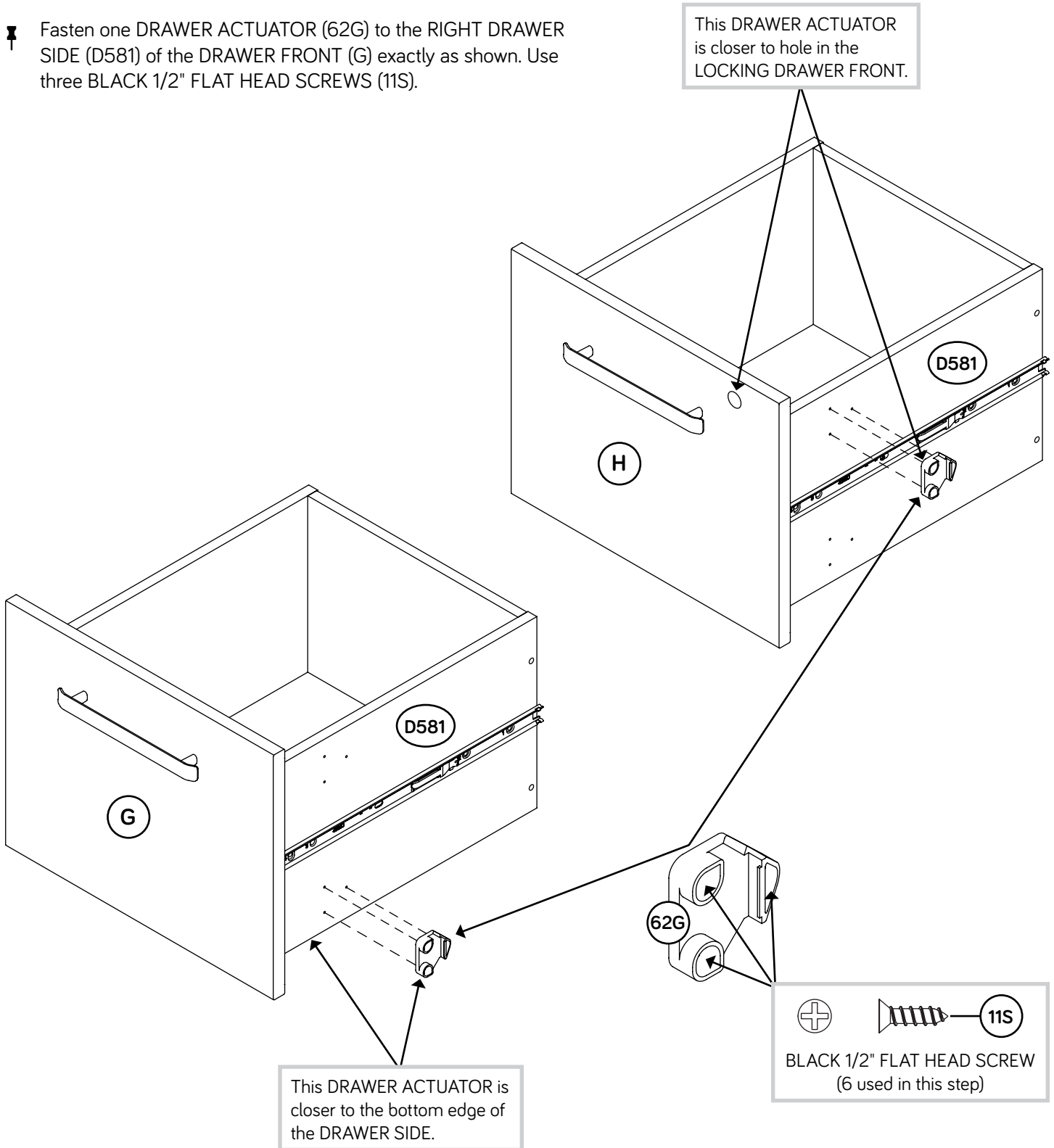
Fasten one PULL (202K) to the DRAWER FRONT (G). Use two BLACK 7/8" MACHINE SCREWS (37S).

Repeat this step for the other drawer.



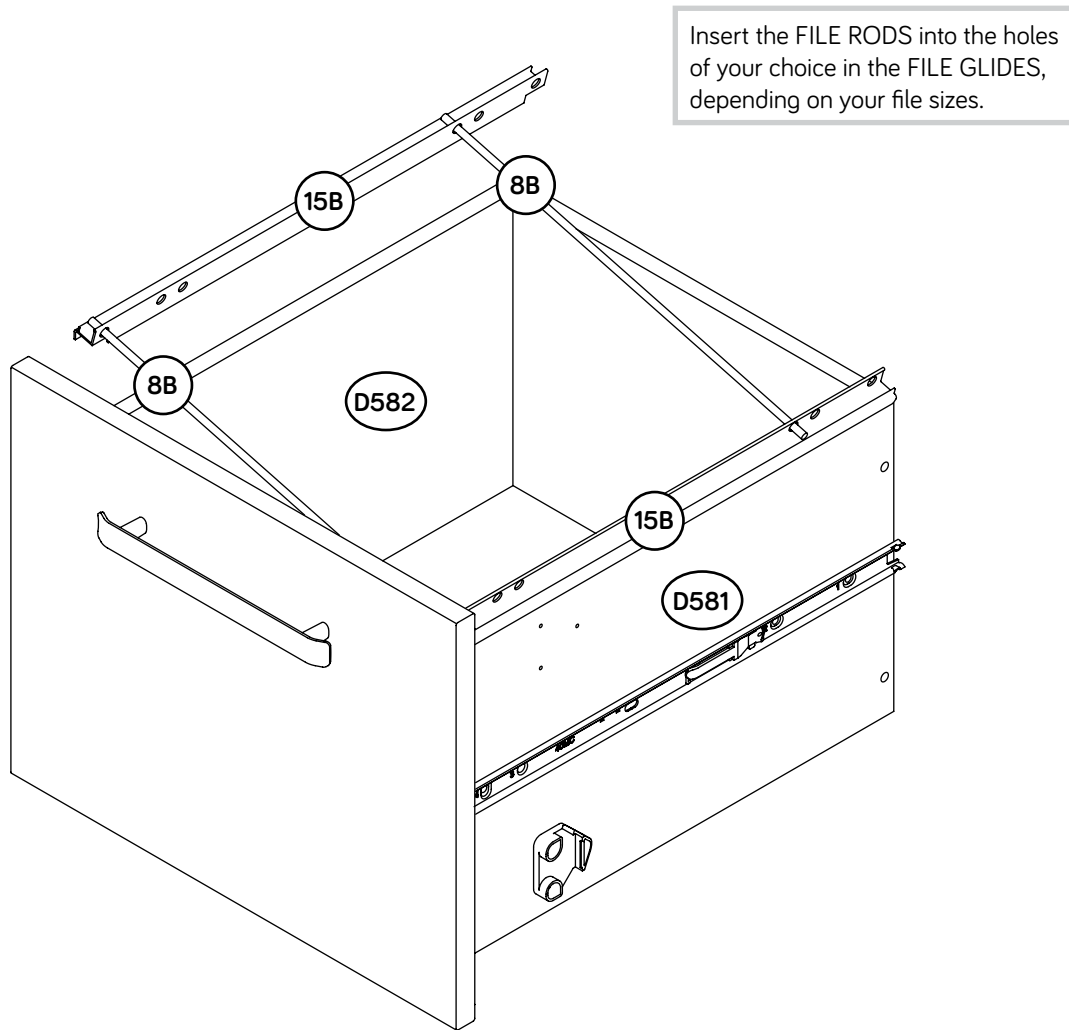
# Step 14

- Fasten one DRAWER ACTUATOR (62G) to the RIGHT DRAWER SIDE (D581) of the LOCKING DRAWER FRONT (H) exactly as shown. Use three BLACK 1/2" FLAT HEAD SCREWS (11S).
- Fasten one DRAWER ACTUATOR (62G) to the RIGHT DRAWER SIDE (D581) of the DRAWER FRONT (G) exactly as shown. Use three BLACK 1/2" FLAT HEAD SCREWS (11S).



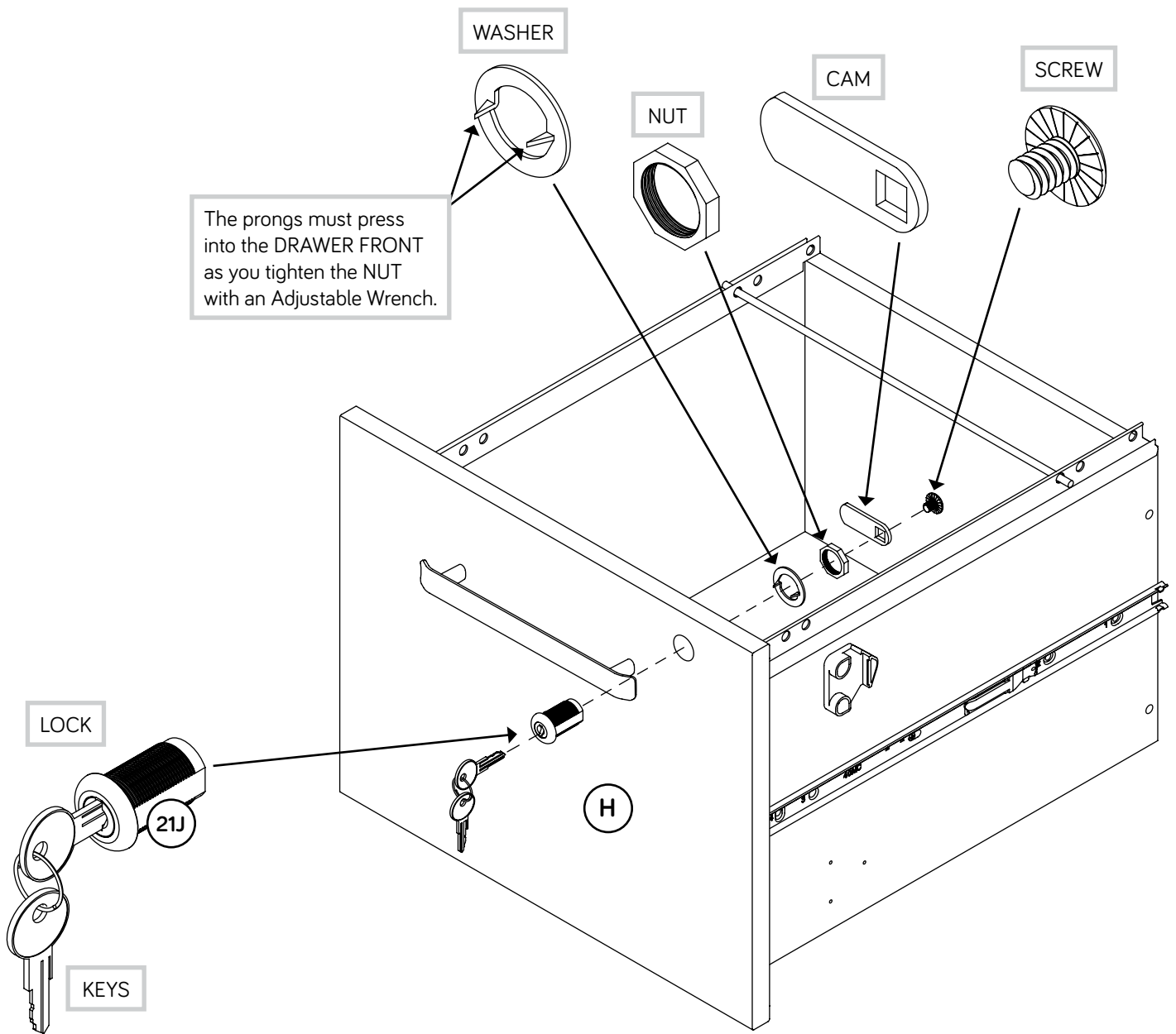
# Step 15

- ✚ Push a FILE GLIDE (15B) onto the RIGHT DRAWER SIDE (D581).
- ✚ Slide the FILE RODS (8B) into the FILE GLIDE (15B) on the RIGHT DRAWER SIDE.
- ✚ Slide another FILE GLIDE (15B) onto the other end of the FILE RODS (8B), then press this FILE GLIDE over the LEFT DRAWER SIDE (D582).
- ✚ Repeat this step for the other drawer.



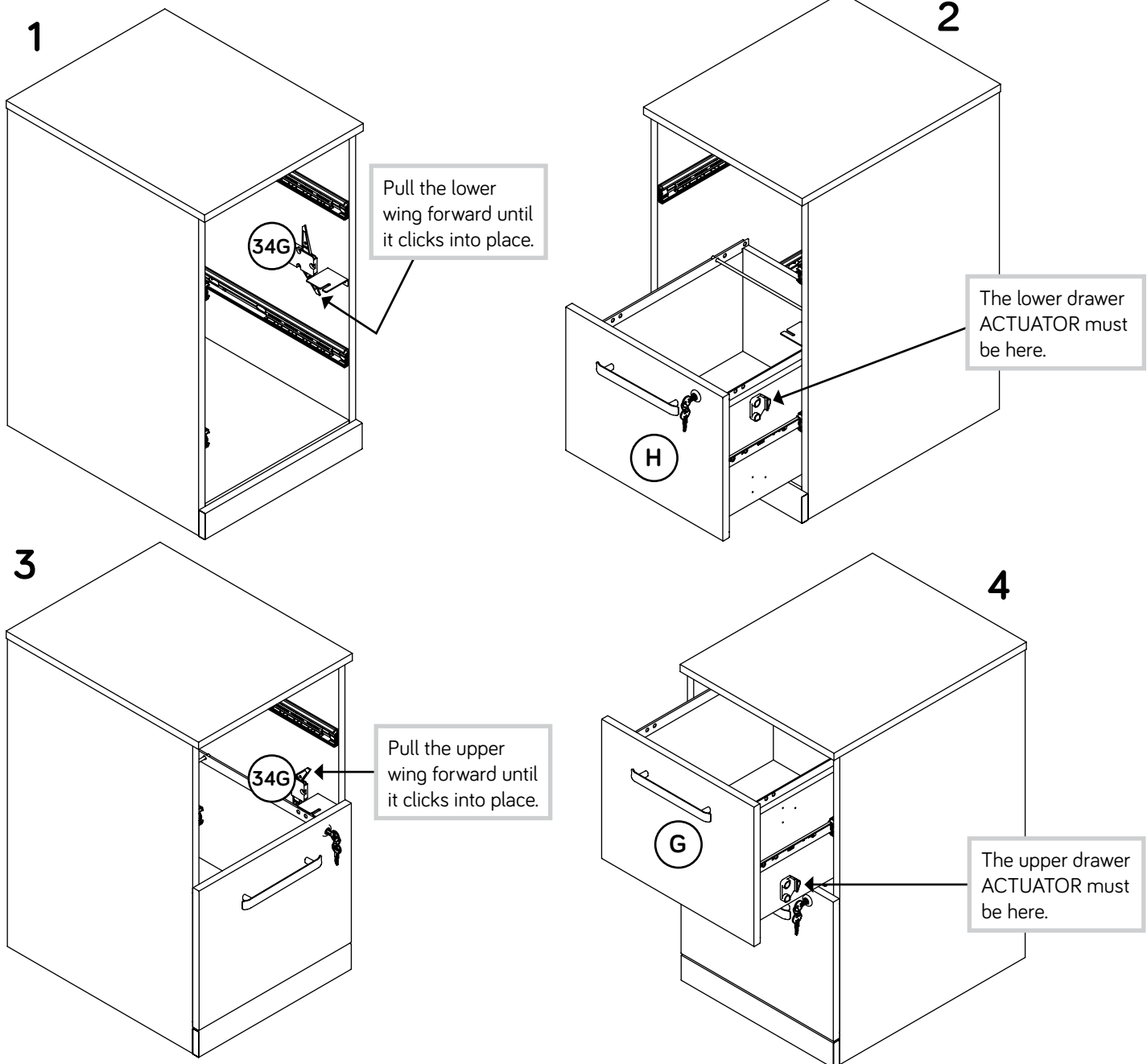
# Step 16

- Fasten the LOCK PACK (21J) to the LOCKING DRAWER FRONT (H) in the exact order shown.
- NOTE:** It is important to position the CAM exactly as shown.
- NOTE:** Turn the KEY to the right to lock.



# Step 17

- ✦ Carefully stand your unit upright.
- ✦ Pull the lower wing of the INTERLOCK MECHANISM (34G) forward until it clicks into place as shown in Diagram 1.
- ✦ To insert the LOCKING DRAWER (H) into your unit, line up the EXTENSION SLIDES on the drawer with the EXTENSION RAILS on the unit and push the drawer into the unit until it is fully inserted.
- ✦ NOTE: The lower DRAWER ACTUATOR will be near the top of the RIGHT DRAWER SIDE as shown in Diagram 2.
- ✦ Pull the upper wing of the INTERLOCK MECHANISM (34G) forward until it clicks into place as shown in Diagram 3.
- ✦ Insert the DRAWER (G) by lining up the EXTENSION SLIDES on the drawer with the EXTENSION RAILS on the unit as shown in Diagram 4. Push the drawer in until it is fully inserted.

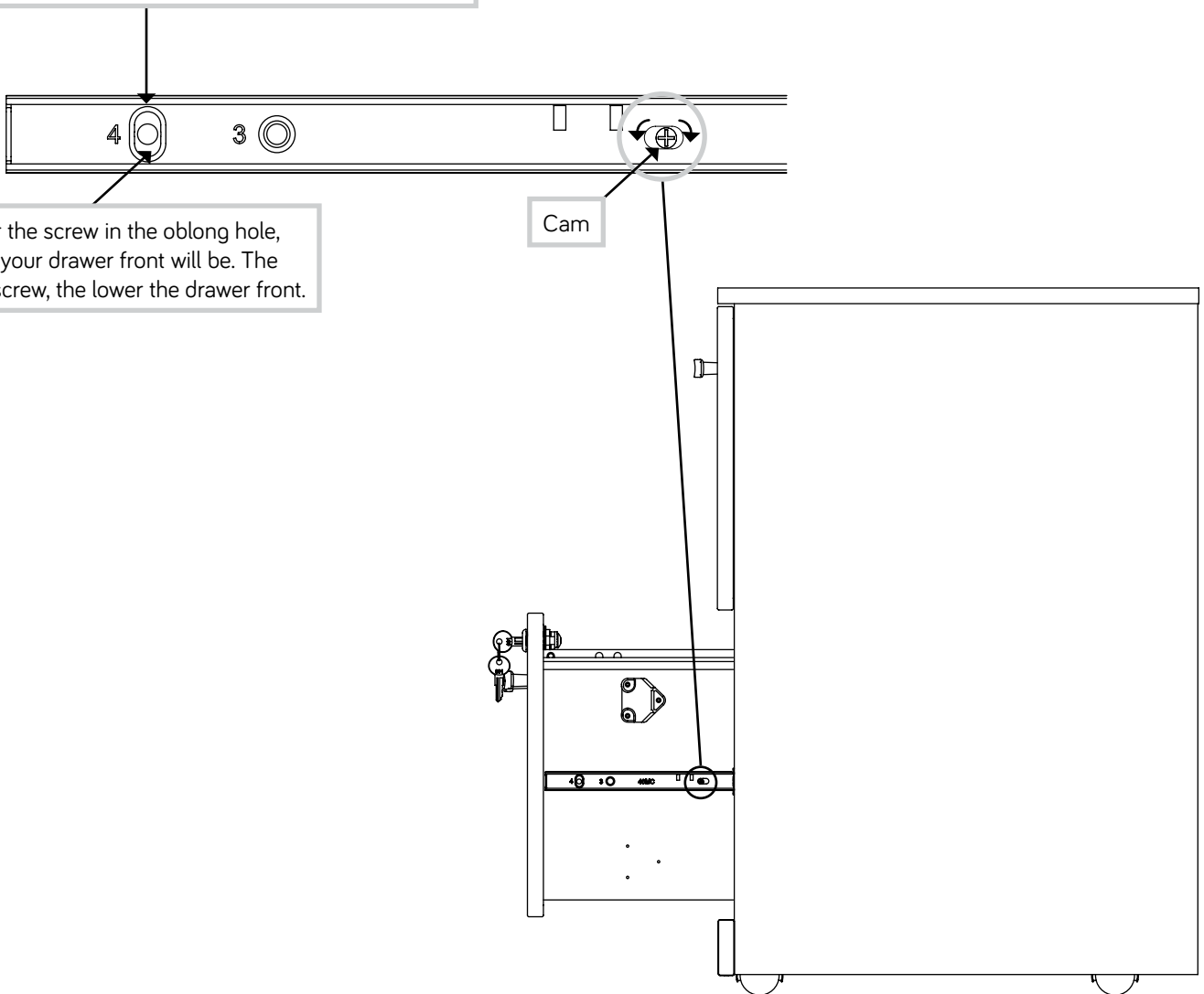


# Step 18

- To make adjustments to the drawer, loosen SCREW #4 in the SLIDES a 1/4 turn, then turn the cam clockwise or counter-clockwise. Notice how the drawer raises or lowers as you turn the cam. By adjusting the drawer this way, it will help the DRAWER FRONT line up better when closed. Tighten the SCREWS when finished with adjustments.

Loosen screw #4 a 1/4 turn, turn the cam a 1/4 turn maximum in both the clockwise and counter-clockwise directions to make adjustments, and then tighten screw #4.

The higher the screw in the oblong hole, the higher your drawer front will be. The lower the screw, the lower the drawer front.



# Step 19

- ✚ For long-term care and maintenance of your unit, you may touch up the edges with the TOUCH-UP PEN (10M).
- ✚ **NOTE:** Please read the back pages of the instruction booklet for important safety information.
- ✚ This completes assembly. Clean with a damp cloth. Wipe dry.

